

**Installation manual
Installatiehandleiding
Manuel d'installation
Installationsanleitung
Manuale per l'installazione**

**Mixed heating
circuit module II and III**

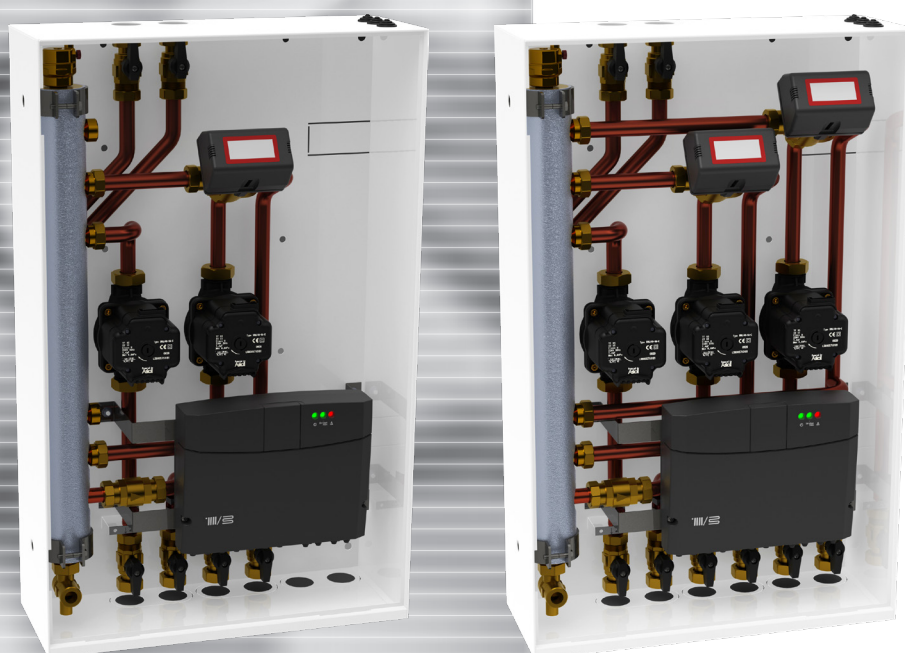
**Menggroep
module II en III**

**Modules II et III du circuit
de chauffage mixte**

**Regelmodul II und III für
gemischte Heizkreise**

**Modulo II e III
per circuito di
riscaldamento misto**

ATAG



GB / NL / FR / DE / IT

INDEX**Overview**

| | |
|------------------------|---|
| CE labelling..... | 2 |
| Safety standards | 3 |

Product description

| | |
|---------------------|---|
| Introduction | 4 |
| Overall view | 4 |
| Dimensions..... | 5 |
| Technical data..... | 5 |

Installation

| | |
|--------------------------------------|----|
| Before installing the appliance..... | 6 |
| Wall installation..... | 6 |
| Hydraulic connection..... | 6 |
| Hydraulic diagram..... | 8 |
| Electrical connections..... | 8 |
| Outdoor temperature sensor..... | 8 |
| Wiring diagram..... | 9 |
| Electrical connection..... | 11 |

Preparing the boiler for operation

| | |
|---------------------------------------|----|
| Module programming..... | 12 |
| Initialisation..... | 12 |
| Configuring the module | 12 |
| Air purge..... | 12 |
| Frost protection function | 12 |
| Anti-jamming function..... | 12 |
| Addressing the system interface | 13 |
| Meaning of the LEDs..... | 14 |
| Troubleshooting guide..... | 14 |

Thermoregulation

| | |
|---------------------------|----|
| Temperature control | 15 |
|---------------------------|----|

Settings 16**Overview**

This manual is an integral and essential part of the appliance. Read the instructions and warnings contained in this manual carefully; they provide important rules on installation, operation and maintenance safety.

The technical notes and instructions in this document are intended for installers so that they may carry out this procedure correctly, in accordance with standard procedures.

The module is designed to control multizone/multitemperature heating systems. The use of the appliance for purposes other than those specified is strictly forbidden. The manufacturer shall not be held responsible for any damage caused by improper, incorrect or unreasonable use of the appliance or by the failure to comply with the instructions provided in this manual. The installer must be qualified to install heating appliances on completion of which task the abovementioned installer must issue the customer with a declaration of conformity.

Installation, maintenance and all other interventions must be carried out in full conformity with current legal regulations and any instructions provided by the manufacturer.

Incorrect installation can harm persons, animals and possessions; the manufacturing company shall not be held responsible for any damage caused as a result.

If any parts are not supplied or if the appliance is damaged, please contact your supplier. Keep all packaging material (clips, plastic bags, polystyrene foam, etc.) out of reach of children as it may present a potential hazard. Before any work is carried out on the module, make sure mains power supply is switched off. All repairs must be carried out by a qualified professional using only original spare parts. Failure to comply with the above instructions could compromise the safety of the appliance and void all liability on part of the manufacturer. Switch off mains power when cleaning the external parts of the appliance. Clean using a dampened cloth. Do not use aggressive detergents or toxic products.

CE labelling

The CE mark guarantees that the appliance conforms to the following directives:

- 2004/108/EC
relating to electromagnetic compatibility
- 2006/95/EC
relating to electrical safety

overview

Safety standards

Legend of symbols:

- ⚠ Failure to respect the warnings leads to a risk of injury and may even lead to death.
- ⚠ Failure to respect the hazard alerts may adversely affect and damage, seriously in some cases, property, plants or animals.

Install the appliance on a solid wall that will not be subject to vibrations.

- ⚠ Noisy operation.

When drilling the wall, take care not to damage the electrical cables or pipes.

- ⚠△ Contact with live conductors can cause electrocution. Explosions, fires or poisoning in the event of gas leaking from a damaged duct. Damage to existing installations. Flooding in the event of water leaking from damaged ducts.

Electrical connections must be made using conductors with a suitable cross section.

- ⚠ Fire caused by overheating due to the electrical current passing through cables that are too small.

Protect connection cables to prevent them from being damaged.

- ⚠△ Contact with live conductors can cause electrocution. Explosions, fires or poisoning in the event of gas leaking from a damaged duct. Flooding in the event of water leaking from damaged ducts. **Check that the part and the installations to which the appliance will be connected comply with the current applicable standards.**

- ⚠△ Contact with incorrectly installed live conductors can cause electrocution. Damage to the appliance due to unsuitable operating conditions.

Use accessories and manual equipment suited to the utilisation (ensure that the tool is not damaged and the handle is securely attached and in good condition), use this equipment correctly, protect it against being accidentally dropped and store it after use.

- ⚠△ Personal injury caused by projected shards or fragments, inhaling dust, being hit, or cuts, pricks or abrasions. Damage to the appliance or to objects close by caused by projected debris or fragments, cuts, incisions.

Use the appropriate electrical equipment (in particular, check that the cable and the power plug are in good condition and that the rotating or alternating parts are firmly secured). Use correctly. Do not obstruct the passage with trailing power cables. Secure these to prevent tripping. Disconnect and store them after use.

- ⚠△ Personal injury can be caused by projected shards or fragments, inhaling dust, being hit, or cuts, pricks, abrasions, noise or vibrations. Damage to the appliance or to objects nearby caused by projected debris or fragments, cuts, incisions.

Ensure that portable ladders are stable and sturdy and will not slip, and that the rungs are in good condition. Ensure that someone is present to ensure that ladders cannot move when someone else is using them.

- ⚠ Injury can be caused by falling from a raised height or by cuts (folding ladder).

Ensure that mobile ladders are stable and sufficiently sturdy, that the steps are non-slip and in good condition, and that they have a guard rail running the length of the ramp and along the platform.

- ⚠ Injury can be caused by falling from a raised height.

When working in height (generally in the event of use when height differences of more than 2 m exist), ensure there is safety railing surrounding the working area or that personal equipment is used that prevents falling, that the route of any potential fall is not obstructed with dangerous objects, and that any possible impact would be cushioned by semi-rigid or deformable supports.

- ⚠ Injury can be caused by falling from a raised height.

Make sure that the health and safety conditions are adequate in terms of lighting, ventilation, structural soundness and emergency exits.

- ⚠ Personal injury caused by being hit, tripping, etc.

Protect the appliance and the areas surrounding the working area using suitable equipment.

- ⚠ The appliance or nearby objects may be damaged by shards being projected, cuts or scratching.

Move the appliance using the necessary protective equipment and the highest degree of precaution.

- ⚠ Damage to the appliance or the surrounding objects as a result of shocks, impacts, scratching or crushing.

While work is being carried out, safety clothing and personal protective equipment should be used.

- ⚠ Personal injury can be caused by electrocution, projected shards or fragments, inhaling dust, being hit, or cuts, pricks, abrasions, noise or vibrations.

Ensure that all equipment is stored in a way that makes it simple and safe to handle; avoid creating piles which are in danger of collapsing.

- ⚠ Damage to the appliance or the surrounding objects as a result of shocks, impacts, scratching or crushing.

Operations inside the appliance must be carried out with due care to avoid coming into sudden contact with sharp parts.

- ⚠ Personal injury caused by cuts, pricks and abrasions.

Reset any safety and control functions affected by an operation on the appliance, and make sure that they are operating correctly before it is put back in service.

- ⚠△ Explosions, fires or poisoning caused by gas leaks or incorrect evacuation of flue gas. Damage to or stoppage of the appliance due to uncontrolled operating conditions.

Drain any components which may contain hot water, activate the vents before any operation, where applicable.

- ⚠ Personal injury caused by burns.

Descale components following the recommendations in the safety sheet for the product used, ventilate the room, wear protective clothing, avoid mixing products together, protect the appliance and nearby objects.

- ⚠△ Personal injury through skin and eyes coming into contact with acidic substances, inhalation or ingestion of harmful chemical agents. Damage to the appliance or objects nearby due to corrosion caused by acidic substances.

If there is a smell of burning or flue gas coming from the appliance, switch off the mains supply, open the windows and call a technician.

- ⚠ Personal injury caused by burns, inhalation of flue gas, poisoning. Explosions, fire or poisoning.

Introduction

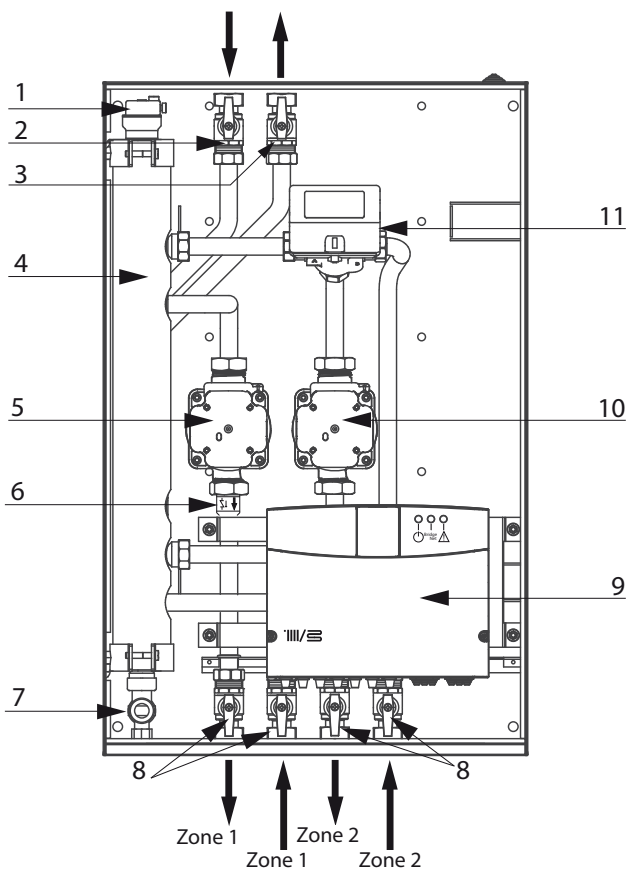
The Mixed heating circuit modules II and III are hydraulic multi-temperature modules with one or two motorised 3-way mixing valves and energy efficient modulating pumps. Up to three circuits can be managed, including one directly (no mixing valve). The multi-temperature modules are designed to be installed hydraulically independent of the boiler.

The Mixed heating circuit modules II and III can operate in one of two regulation modes:

Scenario no. 1: the boiler is equipped with an **ATAG zone** connection. The boiler and the module communicate for optimal efficiency. The module and heating can be configured directly on the boiler control panel.

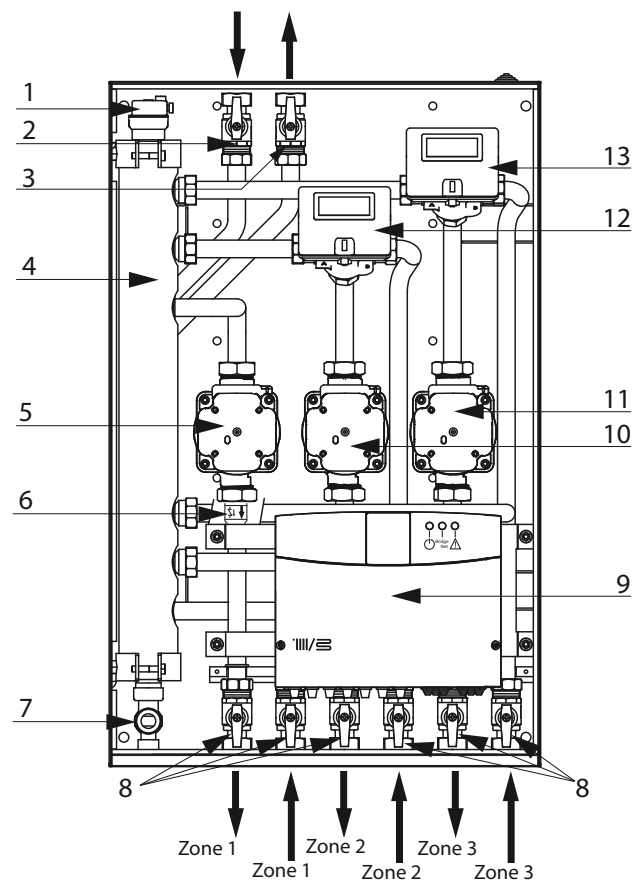
Scenario no. 2: the boiler does not have an **ATAG zone** connection option. When a heating request is sent to the module, the signal is transferred to the boiler by a volt free contact. A system interface (option) must then be used to configure the module and heating.

Overall view Mixed heating circuit module II



1. Automatic air vent
2. Boiler flow isolation valve
3. Boiler return isolation valve
4. Balancing header
5. Zone 1 Circulation pump
6. Zone 1 non-return valve
7. Dirt separator outlet
8. Zone 1 - 2 isolation valves
9. Control unit
10. Zone 2 Circulation pump
11. Zone 2 mixing valve

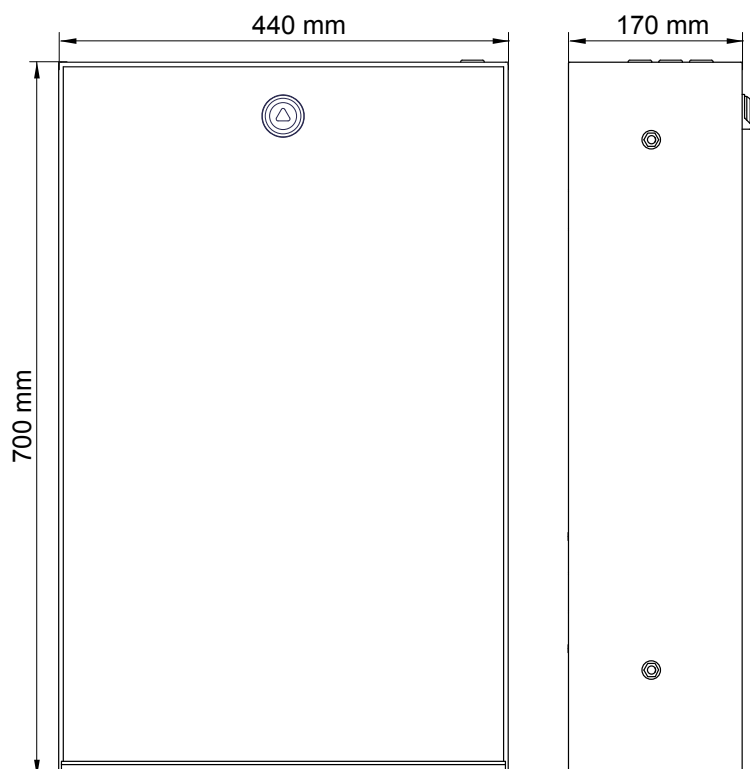
Overall view Mixed heating circuit module III



1. Automatic air vent
2. Boiler flow isolation valve
3. Boiler return isolation valve
4. Balancing header
5. Zone 1 Circulation pump
6. Zone 1 non-return valve
7. Dirt separator outlet
8. Zone 1 - 2 - 3 isolation valves
9. Control unit
10. Zone 2 Circulation pump
11. Zone 3 Circulation pump
12. Zone 2 mixing valve
13. Zone 3 mixing valve

product description

Dimensions



Technical data

| NOTES GEN. | Model name | | Mixed heating circuit module II | Mixed heating circuit module III |
|----------------------|---|-------------|------------------------------------|-------------------------------------|
| | | Compliance | | CE |
| HEATING CIRCUIT | Heating circuits operating pressure | bar | 0,5 - 3 | 0,5 - 3 |
| | Heating circuits maximum operating direct temperature | °C | 85 | 85 |
| ELECTRICAL DATA | Power supply voltage/frequency | V/Hz | 230/50 | 230/50 |
| | Nominal power consumption | W | 116 (*) | 174 (*) |
| | Minimum electrical input power | W | 30 (**) | 45 (**) |
| | Protection rating of electrical system | IP | X5D | X5D |
| | Water content of the module | l | 2,0 | 2,5 |
| | Weight when module is empty | kg | 20 | 23 |
| | Dimensions (W x H x D) | mm | 440 x 700 x 170 | |
| | Hydraulic connections | Boiler side | 3/4" F | 3/4" F |
| Heating circuit side | | 3/4" F | 3/4" F | |

(*) Data with all electrical devices working at their maximum electrical consumption.

(**) Data with the pump or pumps running at minimum speed.

Before installing the appliance

To prevent improper use of the module, the installation site must correspond to the relevant operating temperature limits and be protected from volatile corrosive agents. The module is designed for wall installation, directly under the boiler. When mounting the module, provide for sufficient space around it to ensure easy accessibility after installation.

WARNING

When drilling the wall for installation, take care not to damage any electrical wiring or existing piping.

Wall installation

Use a spirit level to position the module. To fix it to the wall, remove the door using the key provided (triangular). Secure the module to the wall using plugs adapted to the type of wall and the weight of the device. The four mounting points are located inside the module's four corners.

Hydraulic connection

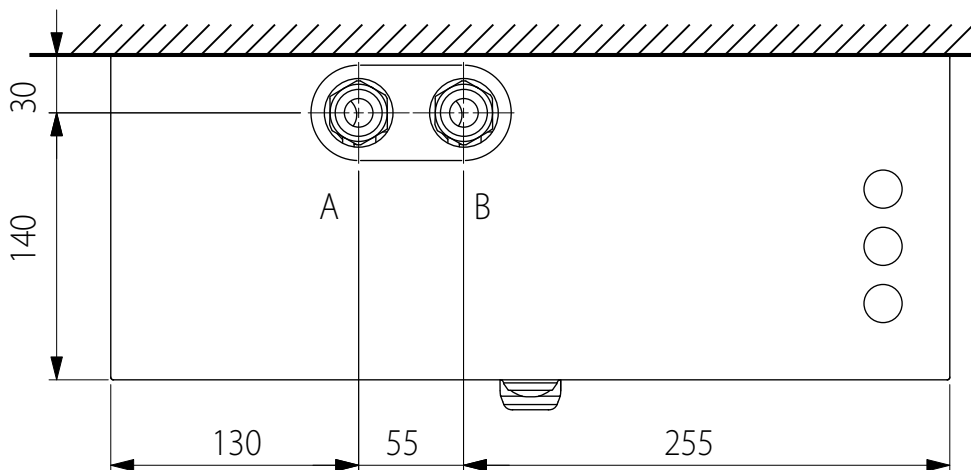
The module must be connected to a suitably-sized heating system in accordance with its performance levels.

Before connecting the module, it is first necessary to perform the following operations:

- thoroughly flush the system tubes in order to remove any debris which might prevent the system from operating correctly;
- make sure that the primary circuit pressure does not exceed the value of 3 bar;
- make sure that the flow temperature is no higher than 85°C;
- make sure that all the necessary safety and operating devices designed to guarantee the correct operation of the appliance have been fitted;
- make sure the capacity of the expansion vessel is suited to the amount of water contained in the system.

The module is equipped with an isolation valve which makes it easier to perform any necessary maintenance procedures.

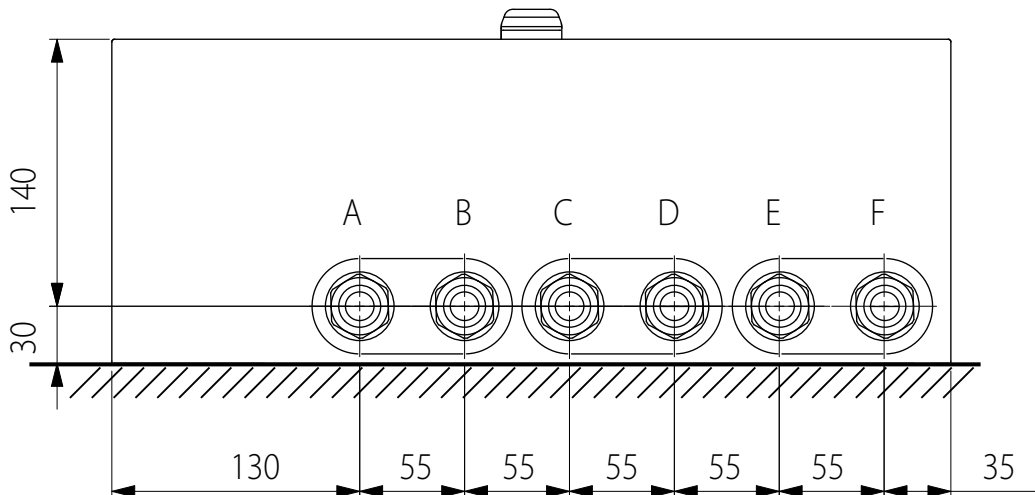
Top view



Legend :

BOILER SIDE
A. Boiler flow
B. Boiler return

Bottom view



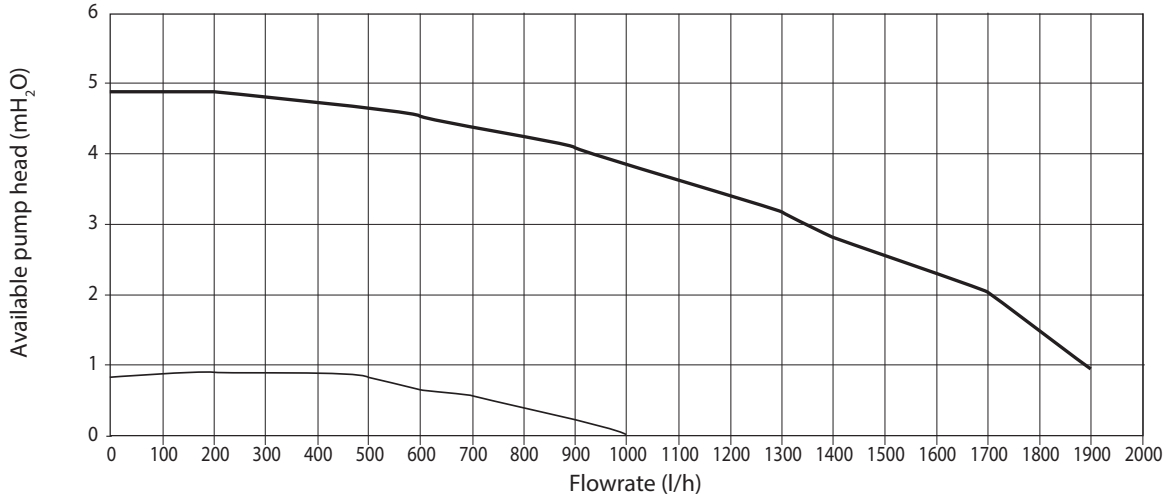
INSTALLATION SIDE

A. Zone 1 flow
B. Zone 1 return
C. Temperature-controlled Zone 2 flow
D. Temperature-controlled Zone 2 return
E. Temperature-controlled Zone 3 flow
F. Temperature-controlled Zone 3 return

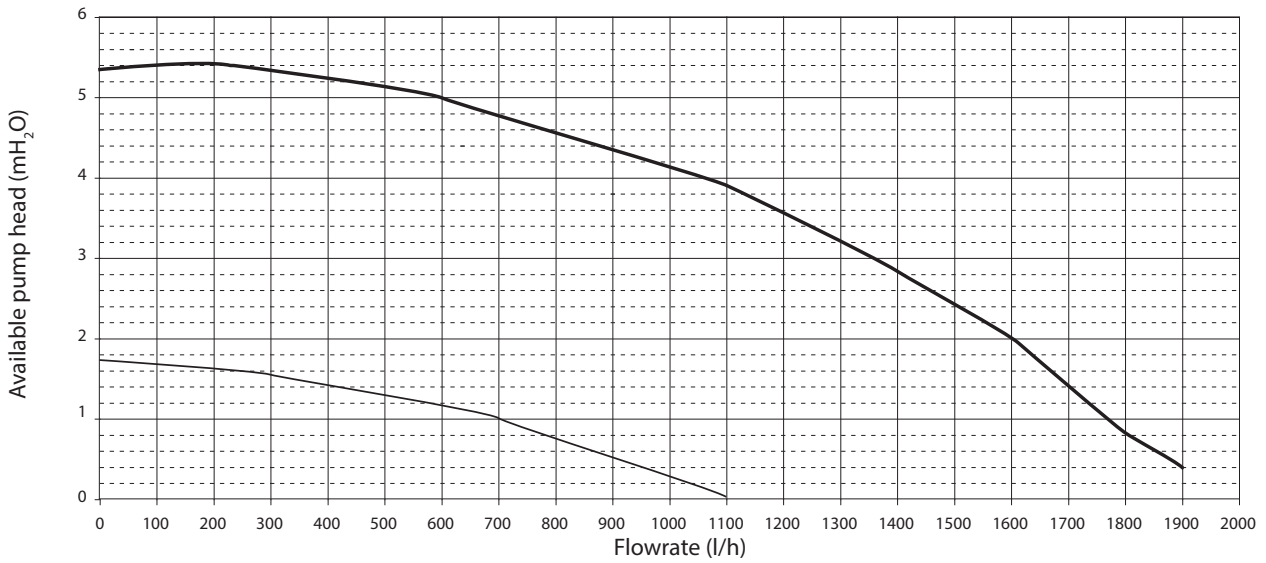
installation

For details on the hydraulic sizing of the installation, refer to the flow/pressure curves below, which are shown for the circulating pump running at maximum and minimum speed.

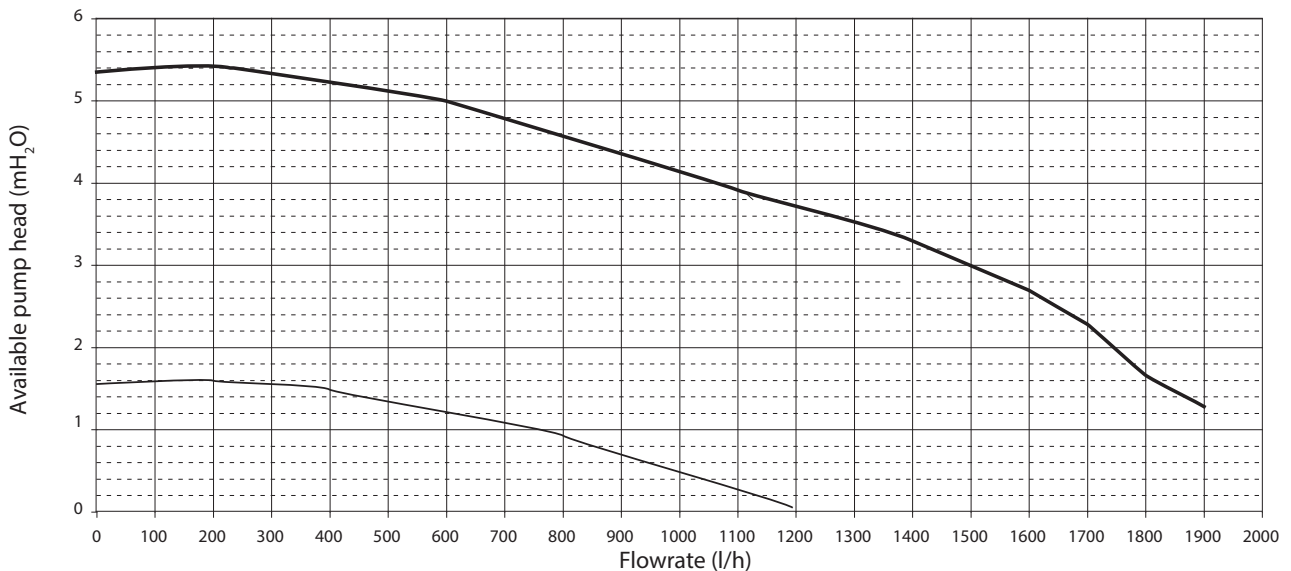
Zone 1 available pump head



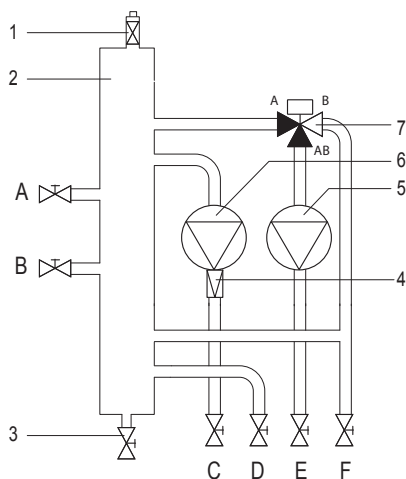
Zones 2 & 3 available pump head mixing valve, lever in lowered position (A → AB)



Zones 2 & 3 available pump head mixing valve, lever in raised position (B → AB)



Hydraulic diagram Mixed heating circuit module II



Legend

1. Automatic air vent
2. Balancing header
3. Dirt separator outlet
4. Zone 1 non-return valve
5. Zone 2 Circulation pump
6. Zone 1 Circulation pump
7. Zone 2 mixing valve

- A. Boiler flow
 B. Boiler return
 C. Zone 1 flow
 D. Zone 1 return
 E. Temperature-controlled Zone 2 flow
 F. Temperature-controlled Zone 2 return

WARNING

Before carrying out any work on the boiler, first isolate it from mains power

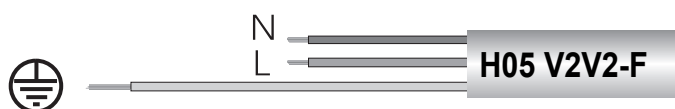
Electrical connections

For increased safety, the entire electrical system should be checked by a qualified electrical engineer.

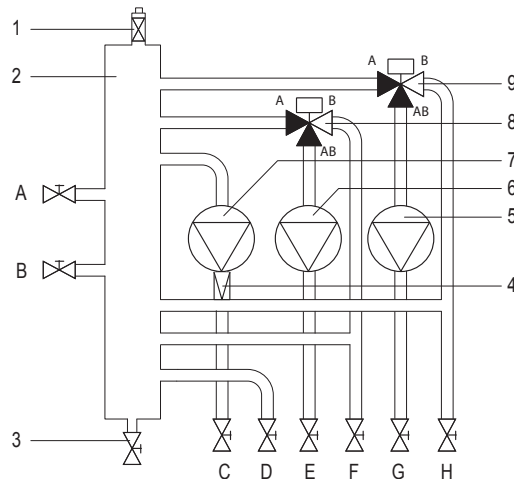
The manufacturer may not be held responsible for any damage caused by the lack of a suitable earthing system or by the malfunctioning of the electricity mains supply. Ensure that the electrical system can provide the maximum power required by the module (as shown on the data plate). Make sure that the cross section of the wires is suitable and is no less than 1.5 mm².

For safety of operation, the equipment must be connected to an earthing system.

The power supply cable must be connected to a 230V 50Hz network, ensuring the correct connection of L-N and earth.



Hydraulic diagram Mixed heating circuit module III



Legend

1. Automatic air vent
2. Balancing header
3. Dirt separator outlet
4. Zone 1 non-return valve
5. Zone 3 Circulation pump
6. Zone 2 Circulation pump
7. Zone 1 Circulation pump
8. Zone 2 mixing valve
9. Zone 3 mixing valve

- A. Boiler flow
 B. Boiler return
 C. Zone 1 flow
 D. Zone 1 return
 E. Temperature-controlled Zone 2 flow
 F. Temperature-controlled Zone 2 return
 G. Temperature-controlled Zone 3 flow
 H. Temperature-controlled Zone 3 return

For a low temperature floor installation, use a safety thermostat for underfloor heating for Zones 2 and 3.

The electrical connection must be made on terminal blocks ST2 and ST3 of the module.

Outdoor temperature sensor

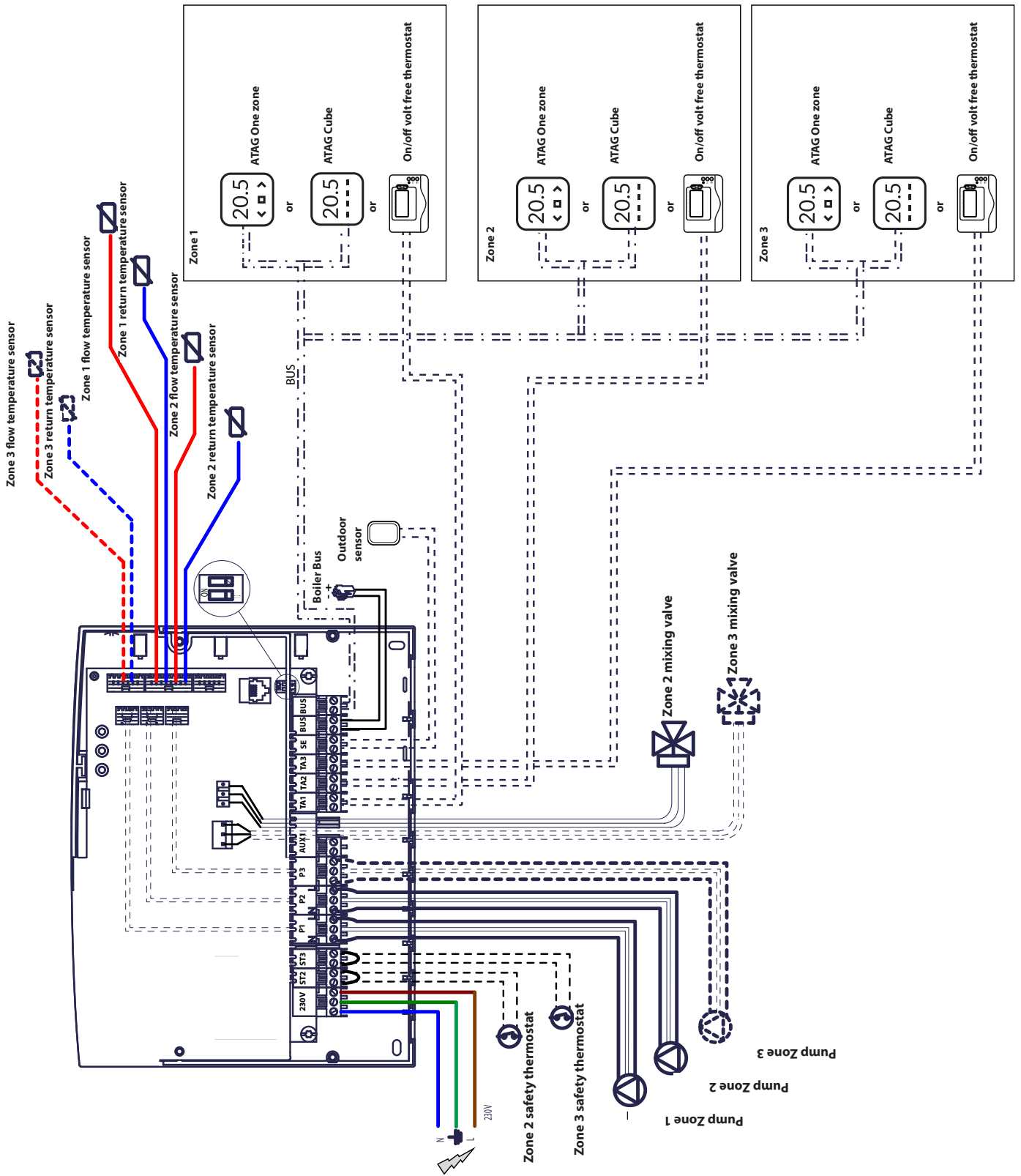
An outdoor temperature sensor can be connected to the module's "SE" terminal block. This can be used to display the outdoor temperature, or for temperature control if:

- the module is connected to the boiler via the **ATAG zone** connection (scenario no. 1).

In this scenario, the outdoor temperature sensor connected to the module overrides the sensor that may be connected to the boiler.

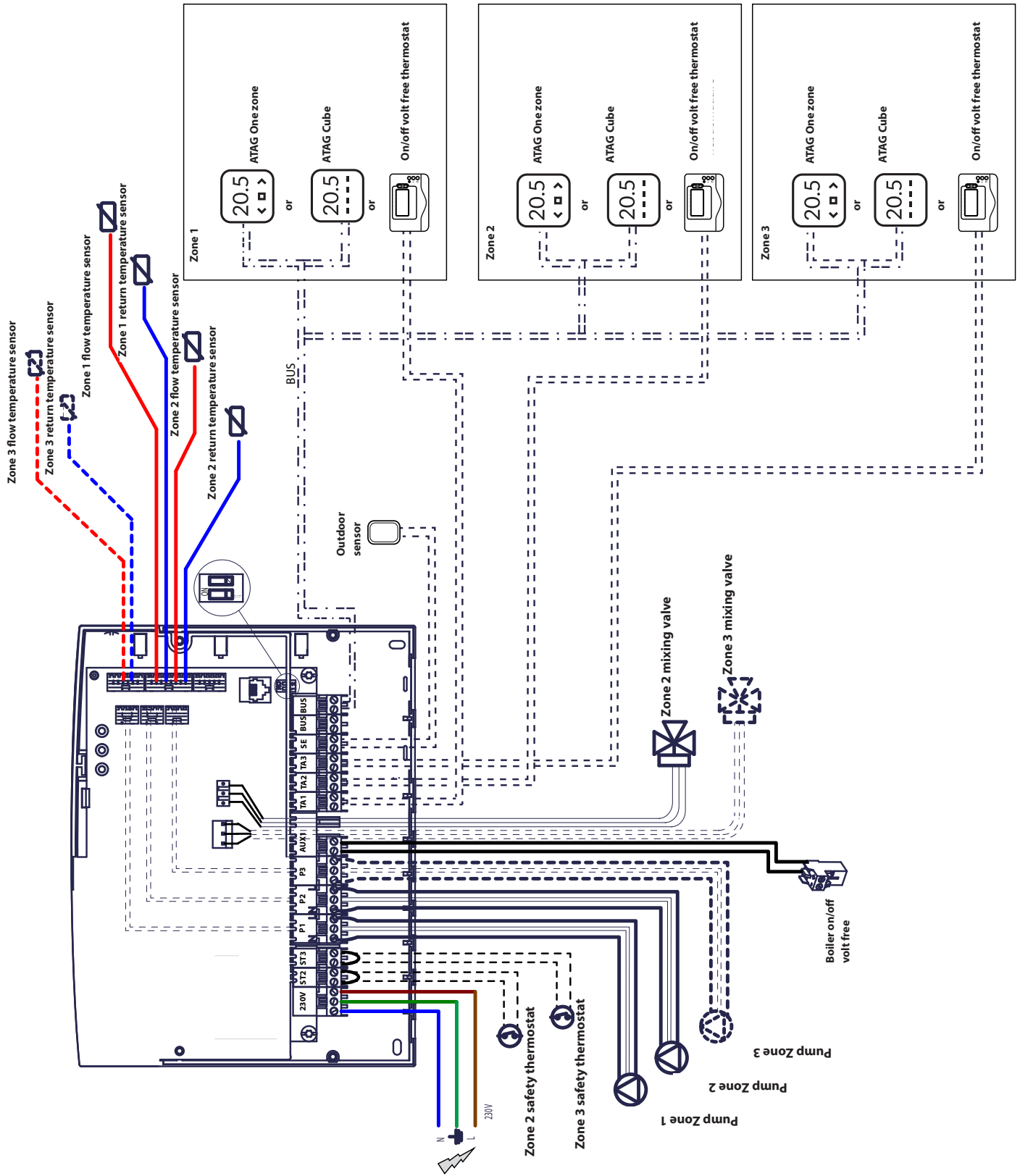
installation

Wiring diagram 1: connection to boiler equipped with an ATAG zone connection. The module is configured on the boiler or using a system interface



Wiring diagram 2: connection to all types of boilers.

⚠ In this configuration, at least one system interface is required.



installation

Electrical connection of the Mixed heating circuit modules II and III

WARNING

Before carrying out any work, disconnect mains power.

Scenario no. 1:

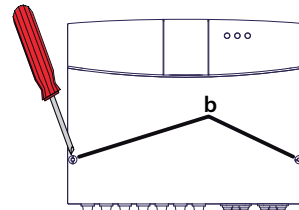
The boiler is equipped with an **ATAG zone** connection.

1) To access the connection block for the boiler peripherals, proceed as follows:

- remove the boiler's casing panel,
- tilt the control unit forwards.

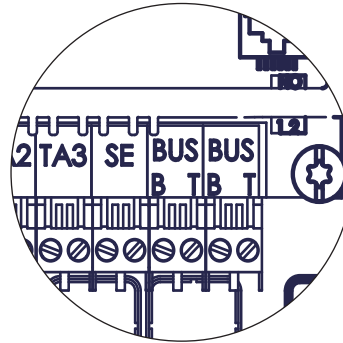
2) To access the connection block for the module peripherals, proceed as follows:

- remove the module's casing panel,
- undo the two screws (**b**) and remove the control unit's cover.



Module Bus terminal block

3) Make the electrical connections between the "BUS" terminal block on the boiler (B and T) and one of the two "BUS" terminal blocks on the module (B and T).

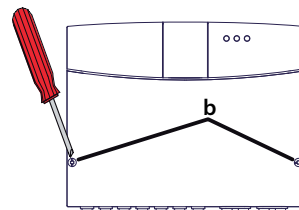


Scenario no. 2:

The boiler does not have an **ATAG zone** connection.

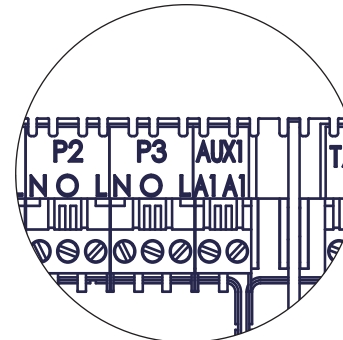
1) To access the connection block for the module peripherals, proceed as follows:

- remove the module's casing panel,
- undo the two screws (**b**) and remove the control unit's cover.



Module AUX1 terminal block

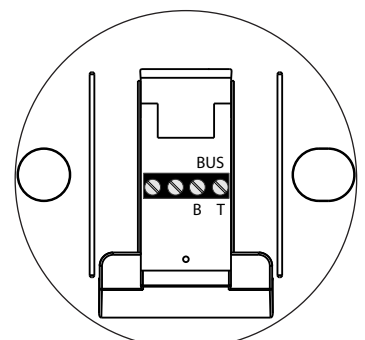
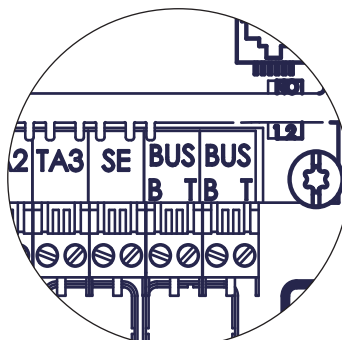
2) Make the electrical connection between the "TA" (room thermostat) terminal block on the boiler and the "AUX1" terminal block on the module.



Module Bus terminal block

The system interface terminal block

3) Make the electrical connection between one of the two "BUS" terminal blocks on the module and the "B" and "T" terminal blocks on the system interface.



preparing the boiler for operation

Module programming

There are two options:

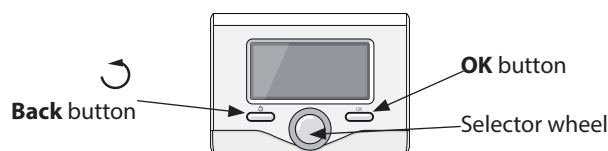
Scenario no. 1: the boiler includes an **ATAG zone** connection; configurations are made from the boiler or from a system interface (option).

Scenario no. 2: the module is independent, and the zones are configured from the system interface supplied as an option.


Initialisation

Before starting the procedure, check that all the circuits have water and that the air purge has finished.


Once all equipment is connected, the system recognises the equipment and carries out automatic initialisation.



Configuring the module from the boiler

- 1) Switch on the display by pressing the **OK** button. The screen is activated.
- 2) Press and hold the  and **OK** buttons on the system interface simultaneously for 5 seconds.
- 3) Press the **OK** button. When **CODE** is displayed, press **OK**; code **000** will appear.
- 4) Turn the selector wheel to the right then display code **007** and confirm with the **OK** button.
- 5) **MENU** appears on the screen; confirm then select menu **7** and confirm with the **OK** button.
- 6) Select sub-menu **72** and confirm with the **OK** button.
- 7) Select sub-menu **720** and confirm with the **OK** button.
- 8) Select parameter **2** for Mixed heating circuit module II and parameter **3** for Mixed heating circuit module III and confirm with the **OK** button (see Menu **720** in the settings table).
- 9) Press the **Back** button repeatedly to return to the boiler display.

Configuring the module using the system interface

- 1) Switch on the display by pressing the **OK** button. The screen is activated.
- 2) Press and hold the  and **OK** buttons on the system interface simultaneously for 5 seconds.
- 3) Using the selector wheel, display code **234** then confirm with the **OK** button.
- 4) Turn the button clockwise to access the **MENU** option then confirm with the **OK** button.
- 5) Look for menu **7** "Multizone Module" using the selector wheel then confirm with the **OK** button. Select sub-menu **72** "Multizone" then confirm with the **OK** button. Select parameter **720** then confirm with the **OK** button and select Mixed heating circuit module II parameter **2** or Mixed heating circuit module II parameter **3** then confirm with the **OK** button.

Air purge

The module's automatic air purge function is only activated from the boiler if there is an **ATAG zone** connection (scenario no. 1).

The air purge function is activated by pressing and holding the **Back** button on the boiler for 5 seconds or by activating parameter **701**.

With the purge function activated, the module switches the pump on and off. This causes the air in the circuit to start circulating. You can activate a new cycle if necessary.

Frost protection function

If the flow sensor measures a temperature lower than 5°C, the frost protection function is activated. If the frost protection function is activated, the module starts the circulating pump. This allows frost protection to be extended to zones 1 and 2.

Anti-jamming function

After every 24 hours of inactivity, an anti-jamming cycle is performed on the circulating pump and the mixing valve.


preparing the boiler for operation

Addressing the system interface

- 1) Find menu **0** "Network" then confirm with the **OK** button. Select submenu **03** "Interface system" then confirm with the **OK** button.
- 2) Select sub-menu **030** "Zone number" then confirm with the **OK** button and assign the configuration code to the system interface:

- 0 no setting zone (Systeme interface not assigned to any zone)

then confirm with the **OK** button.

- 3) Return to the main display by repeatedly pressing the  button

At this stage, the module is operational with the factory parameters.

preparing the boiler for operation

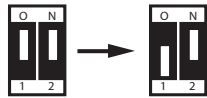
Meaning of the LEDs

| GREEN LED (left) | |
|--------------------------|---|
| Indicator light off | Main supply OFF |
| Indicator light on | Main supply ON |
| Indicator light flashing | Main supply ON, operation in manual mode |
| GREEN LED (centre) | |
| Indicator light off | No ATAG zone communication |
| Indicator light on | ATAG zone communication present |
| Indicator light flashing | ATAG zone communication initialisation |
| RED LED (right) | |
| Indicator light off | No operating faults |
| Indicator light on | Presence of one or more operating faults |

Troubleshooting guide

The Mixed heating circuit modules II and III are protected against the risk of breakdown by internal checks carried out by the PCB which, if necessary, will activate a safety shutdown.

The table below shows the possible error codes, their descriptions and the recommended action to be taken in each case:

| Error code | Description | Recommended action |
|------------|--|---|
| 7 0 1 | Zone 1 heating flow temperature sensor fault | Check the connection of the sensor concerned. |
| 7 0 2 | Zone 2 heating flow temperature sensor fault | Check the continuity of the sensor. |
| 7 0 3 | Zone 3 heating flow temperature sensor fault | Replace the sensor if necessary. |
| 7 1 1 | Zone 1 heating return temperature sensor fault | |
| 7 1 2 | Zone 2 heating return temperature sensor fault | |
| 7 1 3 | Zone 3 heating return temperature sensor fault | |
| 7 2 2 | Zone 2 overheating | Check the link and its connection to the "ST2" terminal block on the module OR Check the maximum heating temperature setting for Zone 2 (parameter 525). Check the connection of the safety thermostat to the "ST2" terminal block on the module. |
| 7 2 3 | Zone 3 overheating | Check the link and its connection to the "ST3" terminal block on the module OR Check the maximum heating temperature setting for Zone 2 (parameter 625). Check the connection of the safety thermostat to the "ST3" terminal block on the module. |
| 4 2 0 | ATAG zone supply overload | A "BUS supply overload" error may appear when three or more devices supplying power to the BUS are connected to the system. Example: boiler + hydraulic module, etc. To avoid this risk, the microswitch (1) on the electronic PCB of one of the connected devices (not the boiler) must be switched from ON to OFF.  |


thermoregulation

Temperature control

Scenario no. 1: the boiler is equipped with an ATAG zone connection

The boiler and the module communicate for optimised operation. In this scenario, several types of temperature control are possible depending on the configuration and the installation's parameter settings. Please refer to the boiler instructions.

Scenario no. 2: the boiler does not have an ATAG zone connection

 In this scenario, the module cannot perform temperature control. The water flow temperature for Zone 1 is defined by the boiler setting. For Zone 2, the module then controls the motorised mixing valve in order to maintain a fixed water flow temperature, as defined by parameter **502**.

For Zone 3, the module then controls the motorised mixing valve in order to maintain a fixed water flow temperature, as defined by parameter **602**.

| menu | sub-menu | parameter | description | value | default setting | |
|------|----------------------------------|-------------------------------|-----------------------------------|---|-----------------|--|
| 0 | NETWORK (*) | | | | | |
| 0 | 2 | Bus Network | | | | |
| 0 | 2 | 0 | Network Presence | Boiler System interface (*) Solar Controller Multi fonction Energy Manager Hybrid Energy Manager Heat Pump Room Sensor Zone Manager Remote Modem Multi Function Clip Fresh Water Station Swimming Pool Control Master User Interface Multi-room Control eBUS Cronothermostat | | |
| 0 | 3 | System interface | | | | |
| 0 | 3 | 0 | Zone number heating | No zone set Number zone set | | |
| 0 | 3 | 1 | Room temperature correction | | 0°C | |
| 0 | 3 | 2 | SW Version Interface | | | |
| 4 | PARAMETERS ZONE HEATING 1 | | | | | |
| 4 | 0 | Temperature settings | | | | |
| 4 | 0 | 0 | T Day | | 14°C | |
| 4 | 0 | 1 | T Night | | 16°C | |
| 4 | 0 | 2 | T set Z1 | | 55°C | |
| 4 | 0 | 3 | Zone frost temperature | | | |
| 4 | 2 | Zone 1 settings | | | | |
| 4 | 2 | 0 | Zone 1 temperature range | 0 = Low Temperature 1 = High Temperature | | |
| 4 | 2 | 1 | Thermoregulation | 0 = Fix flow T 1 = n.a. 2 = Room T Only 3 = Outdoor T Only 4 = Room + Outdoor T | | |
| 4 | 2 | 2 | Slope (*) | | 1.5 | |
| 4 | 2 | 3 | Offset (*) | | 0°C | |
| 4 | 2 | 4 | Room Influence Proportional (*) | | 20°C | |
| 4 | 2 | 5 | Max T | | 82°C | |
| 4 | 2 | 6 | Min T | | 35°C | |
| 4 | 3 | Zone 1 diagnostics | | | | |
| 4 | 3 | 0 | Room T | | | |
| 4 | 3 | 1 | Room T setpoint | | 14°C | |
| 4 | 3 | 2 | Flow temperature | | 21°C | |
| 4 | 3 | 3 | Return temperature | | 21°C | |
| 4 | 3 | 4 | Heat Request Z1 | OFF/ON | | |
| 4 | 3 | 5 | Pump Status | OFF/ON | | |
| 4 | 4 | Zone 1 pump parameters | | | | |
| 4 | 4 | 0 | Zone pump modulation | 0 = Fixed 1 = Modulating on DeltaT 2 = Modulating on Pressure | | |
| 4 | 4 | 1 | Target deltaT for pump modulation | | 20°C | |
| 4 | 4 | 2 | Pump fixed speed | | 100% | |

(*) This menu is activated with only **ATAG zone** connection

settings

| menu | sub-menu | parameter | description | value | default setting | |
|----------|---------------------------------|-------------------------------|-----------------------------------|---|-----------------|--|
| 5 | PARAMETERS ZONE HEATING2 | | | | | |
| 5 | 0 | Temperature settings | | | | |
| 5 | 0 | 0 | T Day | | 12°C | |
| 5 | 0 | 1 | T Night | | 16°C | |
| 5 | 0 | 2 | T set Z2 | | 55°C | |
| 5 | 2 | Zone 2 settings | | | | |
| 5 | 2 | 0 | Zone 1 temperature range | 0 = Low Temperature 1 = High Temperature | | |
| 5 | 2 | 1 | Thermoregulation | 0 = Fix flow T 1 = n.a. 2 = Room T Only 3 = Outdoor T Only 4 = Room + Outdoor T | | |
| 5 | 2 | 2 | Slope (*) | | 1.5 | |
| 5 | 2 | 3 | Offset (*) | | 0°C | |
| 5 | 2 | 4 | Room Influence Proportional (*) | | 20°C | |
| 5 | 2 | 5 | Max T | | 82°C | |
| 5 | 2 | 6 | Min T | | 35°C | |
| 5 | 3 | Zone 2 diagnostics | | | | |
| 5 | 3 | 0 | Room T | | 29°C | |
| 5 | 3 | 1 | Room T setpoint | | 12°C | |
| 5 | 3 | 2 | Flow temperature | | 22°C | |
| 5 | 3 | 3 | Return temperature | | 21°C | |
| 5 | 3 | 4 | Heat Request Z2 | OFF ON | | |
| 5 | 3 | 5 | Pump Status | OFF ON | | |
| 5 | 4 | Zone 2 pump parameters | | | | |
| 5 | 4 | 0 | Zone pump modulation | 0 = Fixed 1 = Modulating on DeltaT 2 = Modulating on Pressure | | |
| 5 | 4 | 1 | Target deltaT for pump modulation | | 20°C | |
| 5 | 4 | 2 | Pump fixed speed | | 100% | |
| 6 | PARAMETERS ZONE HEATING3 | | | | | |
| 6 | 0 | Temperature settings | | | | |
| 6 | 0 | 0 | T Day | | 19°C | |
| 6 | 0 | 1 | T Night | | 16°C | |
| 6 | 0 | 2 | T set Z3 | | 55°C | |
| 6 | 2 | Zone 3 settings | | | | |
| 6 | 2 | 0 | Zone 3 temperature range | 0 = Low Temperature 1 = High Temperature | | |
| 6 | 2 | 1 | Thermoregulation | 0 = Fix flow T 1 = n.a. 2 = Room T Only 3 = Outdoor T Only 4 = Room + Outdoor T | | |
| 6 | 2 | 2 | Slope (*) | | 1.5 | |
| 6 | 2 | 3 | Offset (*) | | 0°C | |
| 6 | 2 | 4 | Room Influence Proportional (*) | | 20°C | |
| 6 | 2 | 5 | Max T | | 82°C | |
| 6 | 2 | 6 | Min T | | 35°C | |

(*) This menu is activated with only **ATAG zone** connection

settings

| menu | sub-menu | parameter | description | value | default setting | |
|------|--------------------|-------------------------------|-----------------------------------|---|-----------------|--|
| 6 | 3 | Zone 3 diagnostics | | | | |
| 6 | 3 | 0 | Room T | | | |
| 6 | 3 | 1 | Room T setpoint | | 19°C | |
| 6 | 3 | 2 | Flow temperature | | 0°C | |
| 6 | 3 | 3 | Return temperature | | 0°C | |
| 6 | 3 | 4 | Heat Request Z3 | OFF ON | | |
| 6 | 3 | 5 | Pump Status | OFF ON | | |
| 6 | 4 | Zone 3 pump parameters | | | | |
| 6 | 4 | 0 | Zone Pump Modulation | 0 = Fixed 1 = Modulating on DeltaT 2 = Modulating on Pressure | | |
| 6 | 4 | 1 | Target deltaT for pump modulation | | 20°C | |
| 6 | 4 | 2 | Pump fixed speed | | 100% | |
| 7 | ZONE MODULE | | | | | |
| 7 | 1 | Manual Mode | | | | |
| 7 | 1 | 0 | ZM Manual mode activation | 0 = OFF 1 = ON | | |
| 7 | 1 | 1 | Z1 Pump control | 0 = OFF 1 = ON | | |
| 7 | 1 | 2 | Z2 Pump control | 0 = OFF 1 = ON | | |
| 7 | 1 | 3 | Z3 Pump control | 0 = OFF 1 = ON | | |
| 7 | 1 | 4 | Z2 Mix Valve Control | 0 = OFF 1 = Open 2 = Closed | | |
| 7 | 1 | 5 | Z3 Mix valve control | 0 = OFF 1 = Open 2 = Closed | | |
| 7 | 2 | General Zone Module | | | | |
| 7 | 2 | 0 | Hydraulic scheme definition | 0 = Not defined 1 = n.a. 2 = Mixed heating circuit module II 3 = Mixed heating circuit module III 4 = n.a. 5 = Direct heating circuit module II 6 = Direct heating circuit module III | 0 | |
| 7 | 2 | 1 | FlowT Offset | | 0°C | |
| 7 | 2 | 2 | Auxiliary output setting | 0 = Heat request 1 = External pump 2 = Alarm | | |
| 7 | 2 | 3 | External temperature correction | | | |
| 7 | 8 | Error History | | | | |
| 7 | 8 | 0 | Last 10 Errors | | | |
| 7 | 8 | 1 | Reset Error List | OK = Yes ESC = No | | |
| 7 | 9 | Reset Menu | | | | |
| 7 | 9 | 0 | Reset Factory Settings | OK = Yes ESC = No | | |

settings

| menu | sub-menu | parameter | description | value | default setting |
|----------|--------------------------|-------------------------------|--------------------------------------|--------------------------------|-----------------|
| 8 | Service Param (*) | | | | |
| 8 | 1 | Boiler Statistics (*) | | | |
| 8 | 1 | 0 | Hours Burner ON CH (h/10) (*) | | |
| 8 | 1 | 1 | Hours Burner ON ECS (h/10) (*) | | |
| 8 | 1 | 2 | Number of Flame Faults (n/10) (*) | | |
| 8 | 1 | 3 | Number of Ignition Cycles (n/10) (*) | | |
| 8 | 1 | 4 | Heat Req Duration (*) | | |
| 8 | 1 | 5 | System number | | |
| 8 | 2 | Boiler (*) | | | |
| 8 | 2 | 0 | Modulation Rate (*) | | |
| 8 | 2 | 1 | Fan Status (*) | OFF ON | |
| 8 | 2 | 2 | Fan Speed (x100 RPM) (*) | | |
| 8 | 2 | 3 | Pump Speed (*) | OFF Low speed High speed | |
| 8 | 2 | 4 | Diverter Valve Pos (*) | DHW Heating | |
| 8 | 2 | 5 | DHW Flow Rate l/min (*) | | 19 l/min |
| 8 | 2 | 6 | APS Status | Open Close | |
| 8 | 2 | 7 | Pump Modulation % (*) | | 100% |
| 8 | 2 | 8 | Gas Power (*) | | 6 kW |
| 8 | 3 | Boiler temperature (*) | | | |
| 8 | 3 | 0 | CH set temperature (*) | | 55°C |
| 8 | 3 | 1 | CH Flow T (*) | | 14°C |
| 8 | 3 | 2 | CH Return T (*) | | 23°C |
| 8 | 3 | 3 | DHW Flow T (*) | | 59°C |
| 8 | 3 | 5 | Outdoor T (*) | | 14°C |

(*) This menu is activated with only **ATAG zone** connection

INHOUD**Algemeen**

| | |
|------------------------|----|
| CE Markering..... | 20 |
| Veiligheidsnormen..... | 21 |

Beschrijving van het product

| | |
|--------------------------|----|
| Introductie | 22 |
| Overzichtstekening | 22 |
| Afmetingen..... | 23 |
| Technische gegevens..... | 23 |

Installatie

| | |
|--|----|
| Waarschuwingen vóór de installatie | 24 |
| Installatie aan de wand | 24 |
| Hydraulische aansluiting | 24 |
| Hydraulisch schema | 26 |
| Elektrische aansluitingen | 26 |
| Buitentemperatuurvoeler | 26 |
| Elektrisch schema..... | 27 |
| Elektrische aansluiting..... | 29 |

Opstarten

| | |
|--|----|
| Programmeren van de module | 30 |
| Initialisatie..... | 30 |
| Configuratie van de module | 30 |
| Ontluchten..... | 30 |
| Vorstbeveiliging..... | 30 |
| Antiblokkeerfunctie | 30 |
| Adressering van de afstandbediening..... | 31 |
| Betekenis van de leds | 32 |
| Storingsdiagnosegids..... | 32 |

Warmteregeling

| | |
|--------------------------|----|
| Temperatuurregeling..... | 33 |
|--------------------------|----|

| | |
|--------------------------------|----|
| Inbedrijfstelling | 34 |
|--------------------------------|----|

Algemeen

Dit boekje is een integraal en essentieel onderdeel van het product zelf. Lees zorgvuldig de aanwijzingen en de waarschuwingen in dit boekje, ze bevatten belangrijke informatie betreffende de veiligheid, gebruik en onderhoud van de installatie.

De aanwijzingen en technische instructies in dit document zijn bestemd voor de installateurs, zodat zij het toestel op de juiste manier en op deskundige wijze kunnen installeren.

Deze module is geschikt voor het beheren van multizone/multitemperatuur verwarmingsinstallaties. Het is verboden het toestel voor andere doeleinden te gebruiken dan voor hetgeen hier wordt beschreven. De fabrikant kan niet verantwoordelijk worden gesteld voor eventuele schade die voortkomt uit oneigenlijk, fout of onredelijk gebruik, of voor het niet opvolgen van de aanwijzingen in deze handleiding. De installateur moet bevoegd zijn tot het installeren van verwarmingsapparaten. Als de installatie is beëindigd moet hij de opdrachtgever de conformiteitsverklaring overhandigen.

Het ontwerp, de installatie, het onderhoud en iedere andere ingreep moeten worden uitgevoerd met inachtneming van de geldende normen en de door de fabrikant gegeven aanwijzingen.

Een verkeerde installatie kan schade veroorzaken aan personen, dieren of dingen, waarvoor de fabrikant niet verantwoordelijk kan worden gesteld.

Als er onderdelen ontbreken of als het apparaat beschadigd is, moet u contact opnemen met de leverancier.

De verschillende delen van de verpakking (nietjes, plastic zakken, piepschuim, enz.) mogen niet in het bereik van kinderen worden gelaten aangezien ze een bron van gevaar zijn.

Vóór iedere ingreep op de module moet u ervoor zorgen dat de netvoeding is uitgeschakeld.

Eventuele reparaties moeten altijd met originele onderdelen en door gekwalificeerde installateurs worden uitgevoerd. Het veronachtzamen van het bovenstaande kan de veiligheid van het apparaat in gevaar brengen en sluit iedere aansprakelijkheid van de fabrikant uit. Om de buitenkant van de module te reinigen moet u de netvoeding uitschakelen. Reinig hem met een vochtig doekje. Gebruik geen bijtende middelen of andere giftige producten.

CE Markering

De CE markering garandeert dat het apparaat voldoet aan de volgende richtlijnen:

- 2004/108/EC
betreffende de elektromagnetische compatibiliteit
- 2006/95/EC
betreffende de elektrische veiligheid

algemeen

Veiligheidsnormen

Legenda van de symbolen :

- ⚠ Het niet opvolgen van deze aanwijzingen leidt tot risico van verwondingen van personen, die in bepaalde omstandigheden zelfs dodelijk kunnen zijn.
- ⚠ Wanneer u deze waarschuwingen niet naleeft riskeert u dat voorwerpen, planten of dieren in bepaalde omstandigheden zelfs zwaar geschaad kunnen worden

Installeer het apparaat tegen een stevige wand die niet aan trillingen is blootgesteld.

- ⚠ Lawaai tijdens de werking.
- ⚠ **Tijdens het boren in de muur moet u ervoor zorgen dat u de bestaande elektrische kabels of leidingen niet beschadigt.**
- ⚠⚠ Elektrische schokken door het aanraken van geleiders die onder spanning staan. Explosies, brand of vergiftiging door gaslekken vanuit beschadigde leidingen. Beschadiging van voorgaande installaties. Overstroming door waterlek uit beschadigde leidingen.
- Voer de elektrische aansluitingen uit met behulp van geleiders die een juiste diameter hebben.**

- ⚠ Brand door oververhitting als gevolg van doorgang elektrische stroom in te kleine kabels.

Bescherm leidingen en verbindingkabels om ze voor beschadiging te behoeden.

- ⚠⚠ Elektrische schokken door het aanraken van geleiders die onder spanning staan. Explosies, brand of vergiftiging door gaslekken vanuit beschadigde leidingen. Overstroming door waterlek uit beschadigde leidingen.

Controleer of het vertrek waar u de installatie uitvoert en het net waar u het apparaat op aansluit aan alle voorschriften voldoen.

- ⚠⚠ Elektrische schokken door het aanraken van niet goed geïnstalleerde geleiders die onder spanning staan. Beschadiging van het apparaat door verkeerde bedrijfsomstandigheden.

Gebruik geschikt gereedschap en werktuig, in het bijzonder moet u controleren dat het gereedschap niet beschadigd of versleten is en dat het handvat in orde is en er stevig opzit; verder moet u het op de juiste manier gebruiken, voorkomen dat het valt en het na gebruik weer opbergen.

- ⚠⚠ Persoonlijk letsel door rondvliegende splinters of stukken, inademen van stof, wonden door stoten, snijden, prikken of schaven. Beschadiging van het apparaat zelf of omliggende voorwerpen door rondvliegende splinters, stoten en sneden.

Gebruik alleen speciale elektrische apparatuur (zorg er vooral voor dat de voedingskabel en de stekker heel zijn en dat ronddraaiende of bewegende delen goed vast zitten). Gebruik alles op de correcte manier, zorg dat de voedingskabel niet in de weg zit, zorg dat de apparatuur niet naar beneden kan vallen, haal de stekkers uit het stopcontact en leg alles na ieder gebruik op een veilige plaats neer.

- ⚠⚠ Persoonlijk letsel door rondvliegende splinters of stukken, inademen van stof, stoten, sneden, prikken, schaafwonden, geluid, trillingen. Beschadiging van het apparaat zelf of omliggende voorwerpen door rondvliegende splinters, stoten en sneden.

Controleer dat verplaatsbare trappen op de juiste manier neer worden gezet, dat ze van een degelijke kwaliteit zijn, dat de treden heel zijn en niet glad, dat er niet iemand tegenaan kan lopen of rijden terwijl er iemand op staat, laat eventueel iemand hierop letten.

- ⚠ Persoonlijk letsel door het naar beneden vallen of door beklemming (bij een vouwtrap).

Controleer dat werkbruggen op de juiste manier worden geplaatst en dat ze van een degelijke kwaliteit zijn, dat de treden ongeschonden zijn en niet glad, dat ze handrails hebben voor het klimmen, en relingen op het horizontale deel.

- ⚠ Persoonlijk letsel door het naar beneden vallen.

Controleer bij het werken op hoge plaatsen (in het algemeen meer dan twee meter) dat er relingen zijn langs de loopruimte op de werkplek of individuele veiligheidsriemen tegen het vallen, controleer dat men tijdens een val niet tegen gevaarlijke objecten kan stoten en dat een eventuele val gebroken wordt door zacht materiaal.

- ⚠ Persoonlijk letsel door het naar beneden vallen.
- Zorg ervoor dat de werkplaats goede condities biedt voor wat betreft verlichting, ventilatie en soliditeit.**

- ⚠ Persoonlijk letsel door stoten, struikelen, enz.
- Gebruik geschikt materiaal voor de bescherming van het apparaat en van de plek rond het werkgebied.**

- ⚠ Beschadiging van het apparaat zelf of andere voorwerpen door rondvliegende splinters, stoten of sneden.

Verplaats het apparaat met de juiste beschermingsmaatregelen en met de nodige voorzichtigheid.

- ⚠ Beschadiging van het apparaat zelf of nabije voorwerpen door stoten, snijden of klemmen.

Trek, voordat u aan het werk gaat, veiligheidskleding aan en gebruik de speciale individuele veiligheidsvoorzieningen.

- ⚠ Persoonlijk letsel door schokken, rondvliegende splinters of stukken, inademen van stof, wonden door stoten, snijden, prikken, schaven, lawaai of vibraties.

Organiseer de verplaatsingen van materiaal en gereedschap op zo'n manier, dat dit veilig kan gebeuren. Voorkom dat materiaal wordt opgestapeld en kan vallen of schuiven.

- ⚠ Beschadiging van het apparaat zelf of nabije voorwerpen door stoten, snijden of klemmen.

De werkzaamheden aan het apparaat zelf moeten zeer voorzichtig worden uitgevoerd om niet plotseling tegen scherpe delen aan te stoten.

- ⚠ Persoonlijk letsel door snijden, prikken of schaven.

Heractiveer alle veiligheids- en controlevoorzieningen die u gedurende de ingreep op het apparaat heeft moeten uitschakelen en controleer, voordat u het apparaat weer inschakelt, dat alle voorzieningen weer werken.

- ⚠⚠ Explosies, brand of vergiftiging door gaslekken of gebrekkige rookgasafvoer. Beschadiging of blokkering van het apparaat door ongecontroleerde werking.

Voordat u ze aanraakt dient u de onderdelen die warm tapwater kunnen bevatten te legen, door eventuele ontluchtingsgaten te activeren.

- ⚠ Persoonlijk letsel door brandwonden.

Ontkalk onderdelen waar kalk op is afgezet volgens de aanwijzingen die u kunt terugvinden op het veiligheidsinformatieblad van het gebruikte apparaat. Het vertrek moet geventileerd zijn, u moet beschermende kleding dragen, geen verschillende producten mengen en het apparaat en de voorwerpen in de buurt ervan beschermen.

- ⚠⚠ Persoonlijk letsel door contact van huid of ogen met zuurhoudende substanties, inademen of slikken van schadelijke chemische stoffen. Beschadiging van het apparaat zelf of omliggende voorwerpen vanwege corrosie door zuurhoudende stoffen.

In het geval u een brandvlucht ruikt of rook uit het apparaat ziet komen, moet u de elektrische voeding uitschakelen, de ramen openen en een installateur inschakelen.

- ⚠ Persoonlijk letsel door brandwonden, inademen van rook, vergiftiging.

Introductie

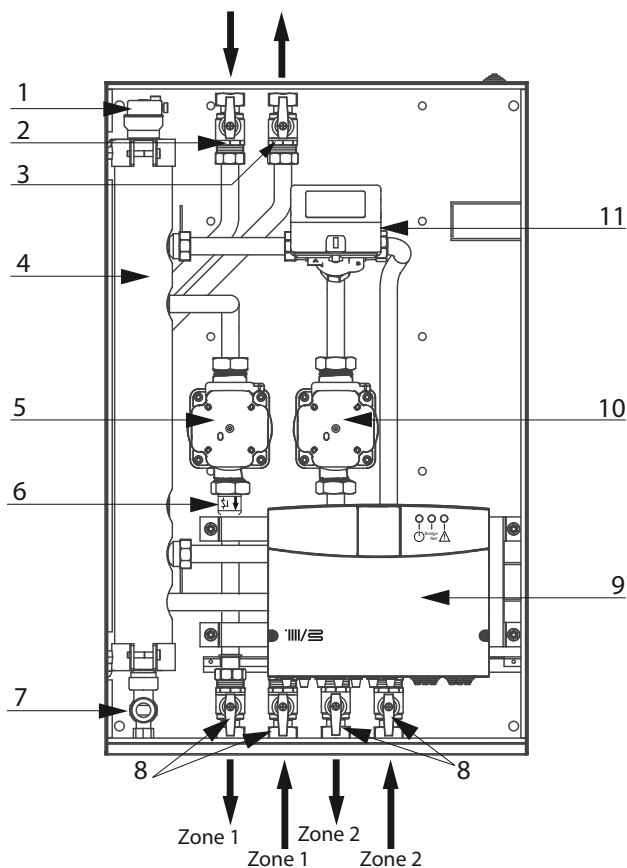
De Menggroep modules II en III zijn hydraulische multitemperatuurmodules, waarin door middel van één of twee gemotoriseerde driewegmengkleppen de zuinige modulerende pompen kunnen worden geregeld. Er worden maximaal drie groepen beheerd, waarvan één direct (zonder mengkraan). De multitemperatuurmodules zijn ontworpen voor een hydraulische installatie die warmteopwekkeronafhankelijk is.

De Menggroep modules II en III kunnen werken volgens twee manieren van regeling:

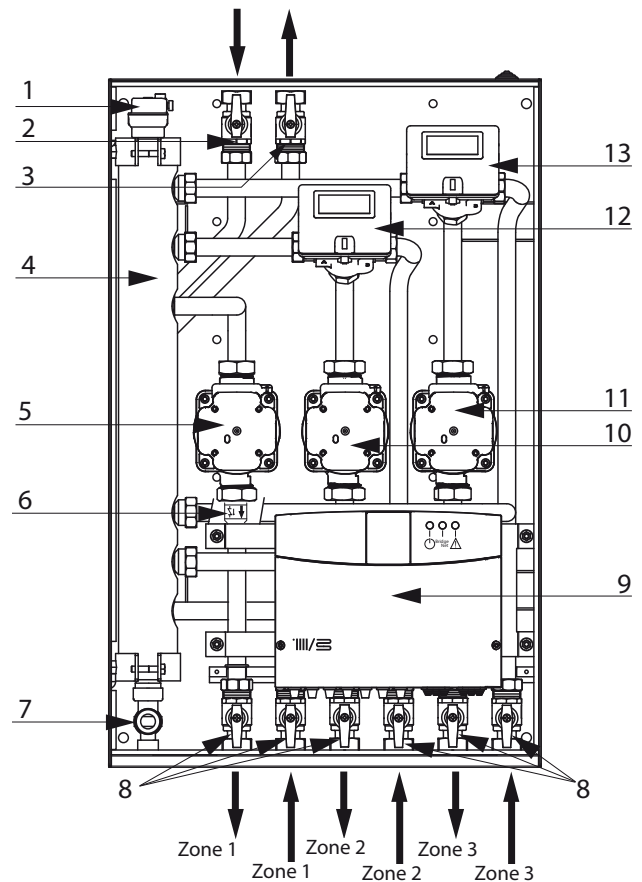
Situatie nr. 1: De warmteopwekker heeft een **ATAG zone**-verbinding. De warmteopwekker en de module communiceren met elkaar voor een optimale werking. De module en de verwarming kunnen rechtstreeks worden ingesteld vanaf het bedieningspaneel van de warmteopwekker.

Situatie nr. 2: De warmteopwekker heeft geen mogelijkheid van een **ATAG zone**-verbinding. Als de module een verzoek om verwarming krijgt, wordt de informatie naar de warmteopwekker gezonden via een potentialvrij contact. Het gebruik van een (optionele) afstandbediening is dan noodzakelijk voor het instellen van de module en van de verwarming.

Overzichtstekening Menggroep module II



Overzichtstekening Menggroep module III

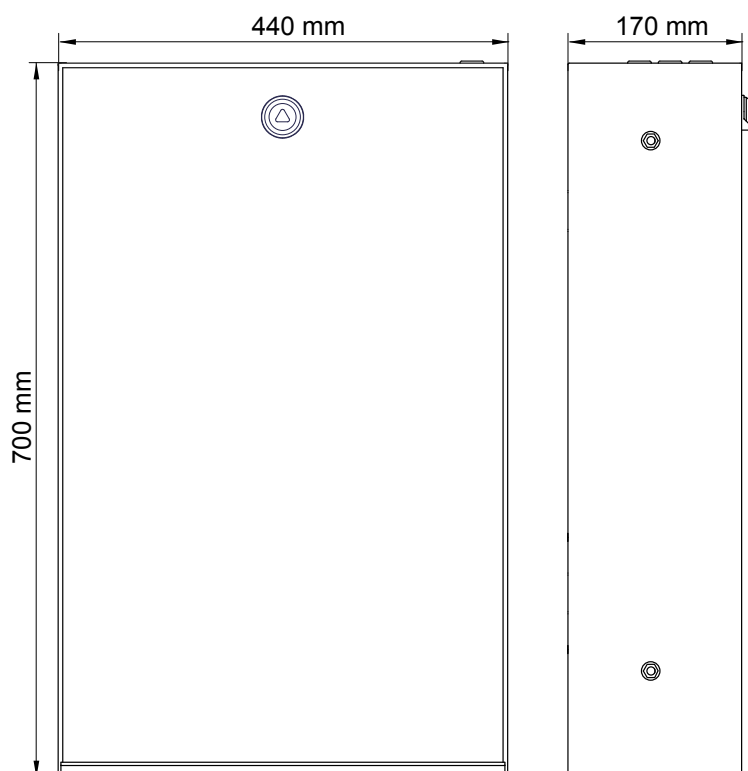


1. Automatische ontluchter
2. Afsluiter aanvoer warmteopwekker
3. Afsluiter retour warmteopwekker
4. Evenwichtsfles
5. Circulatiepomp zone 1
6. Terugslagklep zone 1
7. Retour vuilafscheider
8. Afsluiters van de zones 1 - 2
9. Regelunit 'zone Manager'
10. Circulatiepomp zone 2
11. Mengklep zone 2

1. Automatische ontluchter
2. Afsluiter aanvoer warmteopwekker
3. Afsluiter retour warmteopwekker
4. Evenwichtsfles
5. Circulatiepomp zone 1
6. Terugslagklep zone 1
7. Retour vuilafscheider
8. Afsluiters van de zones 1 - 2 - 3
9. Regelunit 'zone Manager'
10. Circulatiepomp zone 2
11. Circulatiepomp zone 3
12. Mengklep zone 2
13. Mengklep zone 3

beschrijving van het product

Afmetingen



Technische gegevens

| ALG. OPMERKINGEN | Modelnaam | | Menggroep module II | Menggroep module III |
|----------------------|---|----------------------|---------------------|----------------------|
| | | Conformiteit | | CE |
| VERWARMINGS-CIRCUIT | Bedrijfsdruk verwarmingscircuits | bar | 0,5 - 3 | 0,5 - 3 |
| | Maximale bedrijfsdruk verwarmingscircuits directe | °C | 85 | 85 |
| ELEKTRISCHE GEGEVENS | Netspanning/netfrequentie | V/Hz | 230/50 | 230/50 |
| | Nominaal opgenomen elektrisch vermogen | W | 116 (*) | 174 (*) |
| | Minimaal opgenomen elektrisch vermogen | W | 30 (**) | 45 (**) |
| | Beschermingsgraden elektrische installatie | IP | X5D | X5D |
| | Waterinhoud module | l | 2,0 | 2,5 |
| | Gewicht module leeg/module | kg | 20 | 23 |
| | Afmetingen (L x H x D) | mm | 440 x 700 x 170 | |
| | Hydraulische aansluiting | Zijde warmteopwekker | | 3/4"F |
| Zijde installatie | | | 3/4"F | 3/4"F |

(*) Gegevens met alle elektrische toestellen in werking op maximaal vermogen.

(**) Gegevens met de pomp(en) op minimale snelheid

Waarschuwingen vóór de installatie

Om te garanderen dat de module op normale wijze kan functioneren moet het vertrek waar de installatie zal plaatsvinden beschermd zijn tegen agressieve of corroderende middelen en mag de temperatuur niet boven de maximale waarden uitkomen. De module is ontworpen om direct onder de warmteopwekker aan de muur gemonteerd te worden. Bij het monteren van de module moet men de minimale afstanden respecteren die de toegang tot de onderdelen van de module mogelijk maken.

OPGELET

Tijdens het boren in de muur moet u ervoor zorgen dat u de bestaande elektrische kabels of leidingen niet beschadigt.

Installatie aan de wand

Voor het positioneren van de module gebruikt u een waterpas. Voor de bevestiging aan de wand, verwijdert u de deur met de meegeleverde driehoeksleutel. Bevestig de module aan de wand met behulp van vier pluggen die geschikt zijn voor het materiaal van de wand en het gewicht van het toestel. De vier bevestigingspunten bevinden zich bij de vier binnenhoeken van de module.

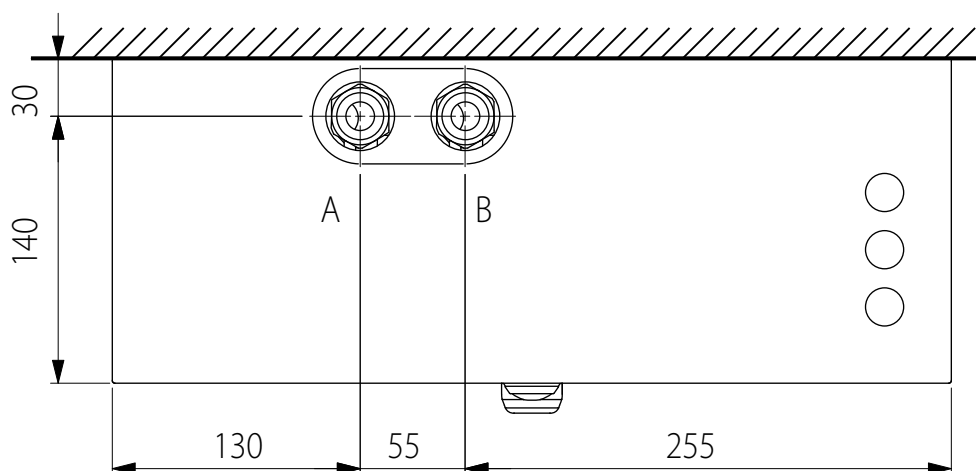
Hydraulische aansluiting

De module moet worden aangesloten op een verwarmingsinstallatie die er qua prestaties mee overeenkomt. Voordat u de module aansluit dient u het volgende te doen:

- spoel de leidingen van het verwarmingssysteem grondig door, zodat eventueel vuil, dat de normale werking ervan kan verhinderen, verwijderd wordt;
- controleer dat de druk op het primaire circuit de waarde van 3 bar niet overschrijdt;
- controleer dat de temperatuur van de uitgaande leiding maximaal 85°C is;
- controleer dat op de installatie alle veiligheidsmechanismen en functionele elementen aanwezig zijn die een correcte werking ervan garanderen;
- controleer dat het expansievat de correcte inhoud heeft voor de hoeveelheid water dat in het systeem zit.

De module beschikt over afsluiters waarmee eventuele onderhoudswerkzaamheden kunnen worden uitgevoerd.

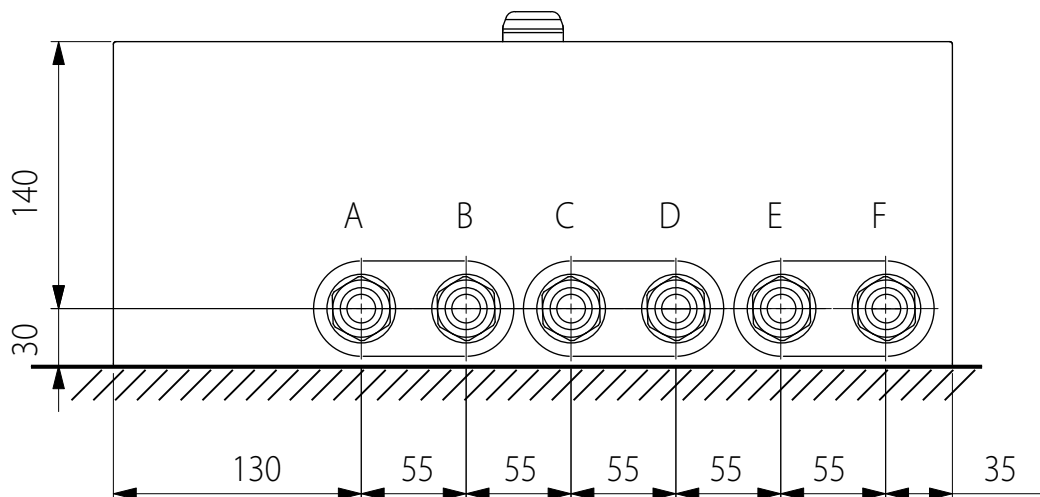
Bovenaanzicht



Legenda :

ZIJDE WARMTEOPWEKKER
A. Warmteopwekker aanvoer
B. Warmteopwekker retour

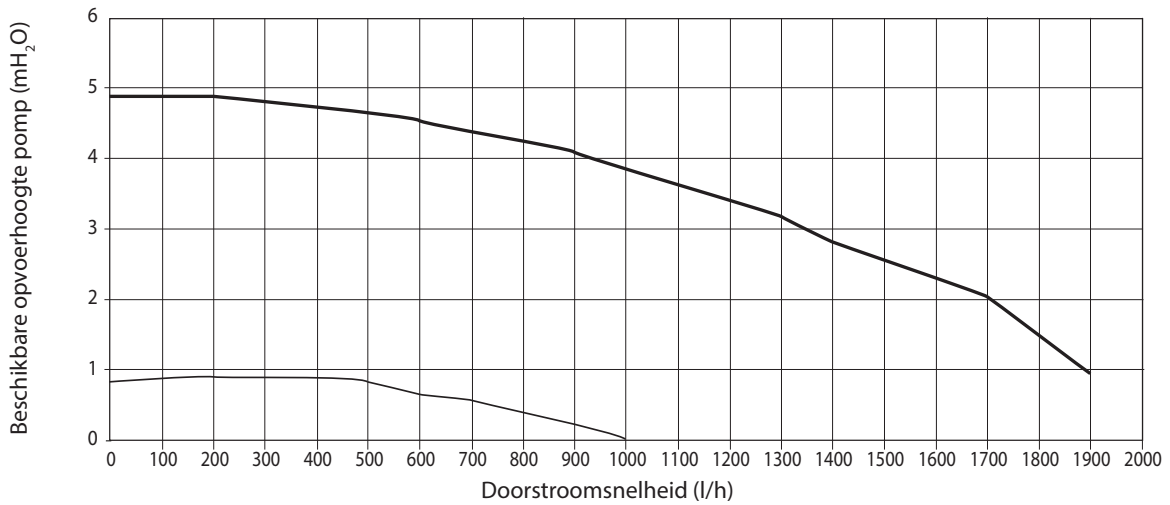
Onderaanzicht



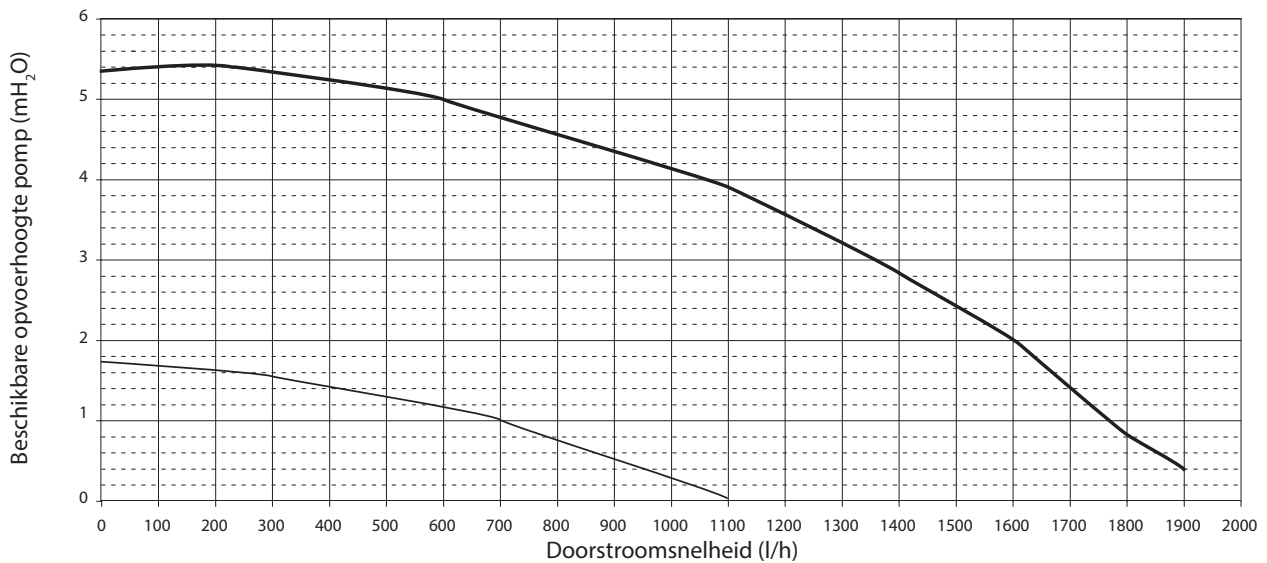
ZIJDE INSTALLATIE
A. Aanvoer zone 1
B. Retour zone 1
C. Aanvoer zone 2 thermisch geregeld
D. Retour zone 2 thermisch geregeld
E. Aanvoer zone 3 thermisch geregeld
F. Retour zone 3 thermisch geregeld

Voor de hydraulische dimensionering van de installatie, raadpleegt u de debiet/druk-krommen hieronder voor de circulatiepomp op maximale en minimale snelheid.

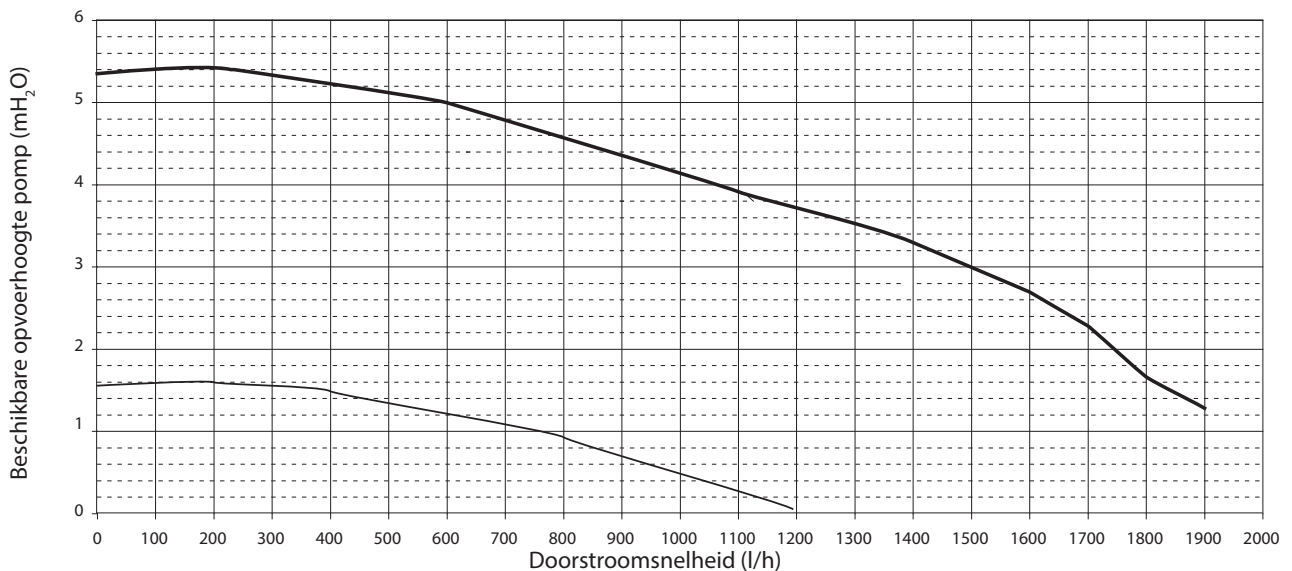
Beschikbare opvoerhoogte pomp zone 1



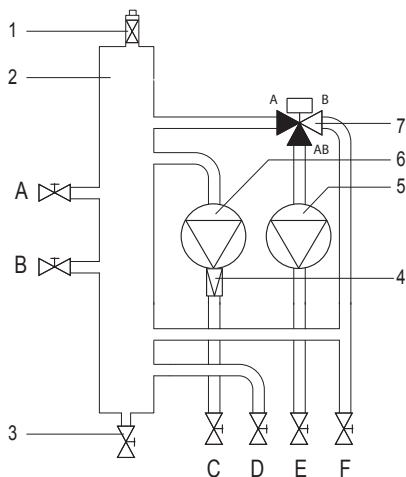
Beschikbare opvoerhoogte pomp zones 2 & 3 mengkraan hendel omlaag (A → AB)



Beschikbare opvoerhoogte pomp zones 2 & 3 mengkraan hendel omhoog (B → AB)



Hydraulisch Schema Menggroep module II



Legenda

1. Automatische ontluichter
 2. Evenwichtsfles
 3. Afvoer vuilafscheider
 4. Terugslagklep zone 1
 5. Circulatiepomp zone 2
 6. Circulatiepomp zone 1
 7. Mengkraan zone 2
- A. Warmteopwaker aanvoer
B. Warmteopwaker retour
C. Aanvoer zone 1
D. Retour zone 1
E. Aanvoer zone 2 thermisch geregeld
F. Retour zone 2 thermisch geregeld

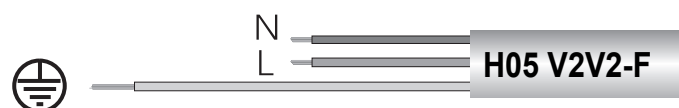
OPGELET

Voordat u ingrepen op de warmteopwaker uitvoert moet u ervoor zorgen dat de netvoeding is uitgeschakeld.

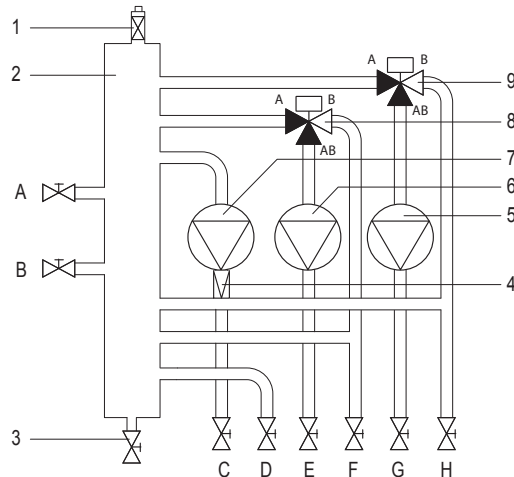
Elektrische aansluitingen

Voor een grotere veiligheid moet u de elektrische installatie zorgvuldig laten controleren door erkende vaklui.

De fabrikant is niet aansprakelijk voor eventuele schade die veroorzaakt wordt door het niet op aarde aansluiten van de installatie of door storingen in de netvoeding. Controleer dat de installatie geschikt is voor het maximale vermogen dat door de module wordt opgenomen, aangegeven op het typeplaatje. Controleer dat de doorsnede van de kabels voldoende is, in ieder geval niet minder dan 1,5 mm². De correcte aansluiting op een aardsysteem is essentieel om de veiligheid van het toestel te kunnen garanderen. De netvoedingskabel moet worden aangesloten op een net van 230V-50Hz en de polen L-N mogen niet worden verwisseld; ook de aardleiding moet op de juiste klem worden aangesloten.



Hydraulisch Schema Menggroep module III



Legenda

1. Automatische ontluichter
 2. Evenwichtsfles
 3. Afvoer vuilafscheider
 4. Terugslagklep zone 1
 5. Circulatiepomp zone 3
 6. Circulatiepomp zone 2
 7. Circulatiepomp zone 1
 8. Mengkraan zone 2
 9. Mengkraan zone 3
- A. Warmteopwaker aanvoer
B. Warmteopwaker retour
C. Aanvoer zone 1
D. Retour zone 1
E. Aanvoer zone 2 thermisch geregeld
F. Retour zone 2 thermisch geregeld
G. Aanvoer zone 3 thermisch geregeld
H. Retour zone 3 thermisch geregeld

Bij een lagetemperatuur installatie voor vloerverwarming, moet u een veiligheidsthermostaat monteren voor de vloerverwarmingen van de zones 2 en 3.

De elektrische aansluiting moet worden gemaakt op respectievelijk de klemmenstrook ST2 en ST3 van de module.

Buitentemperatuurvoeler

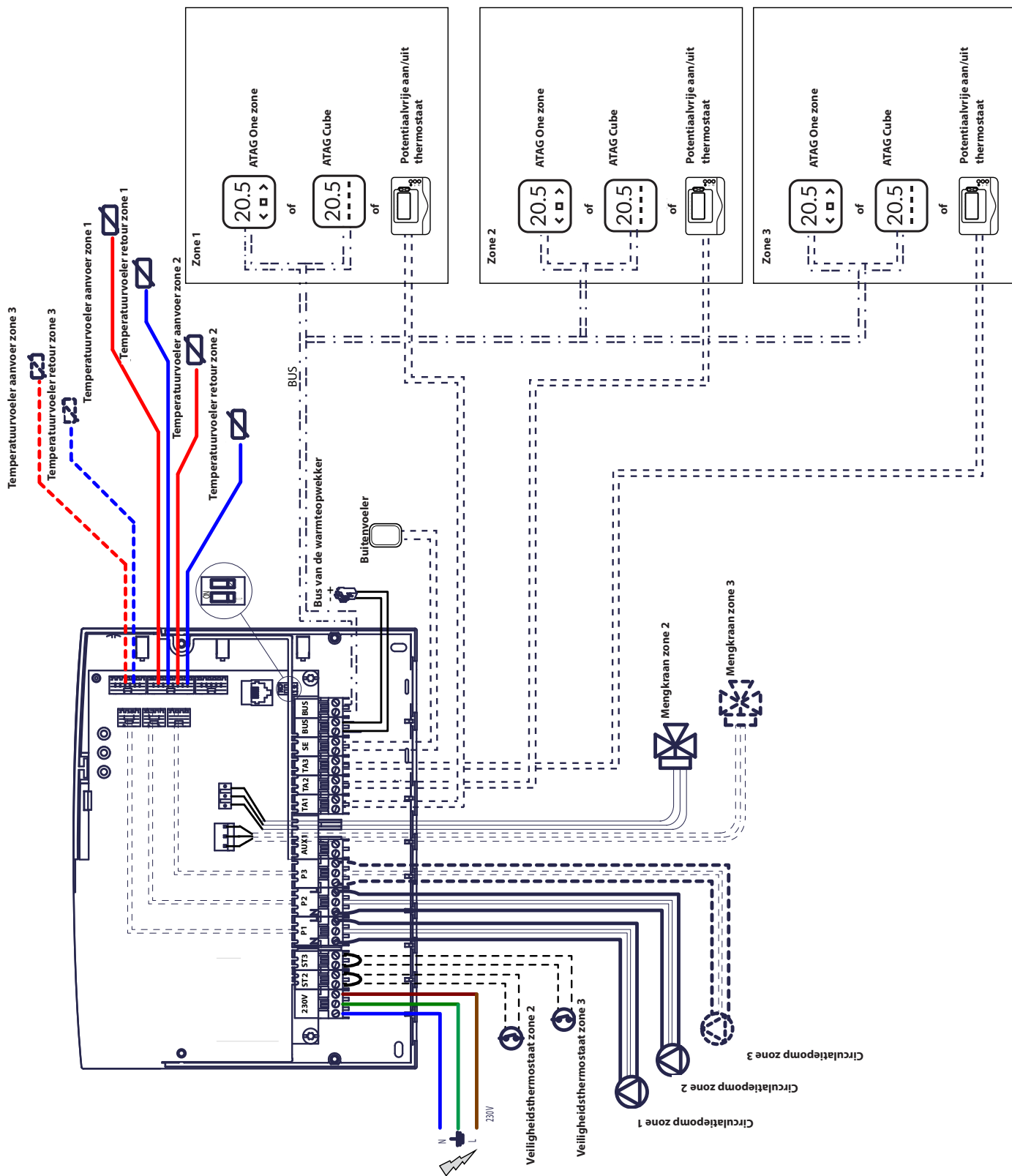
Een buitentemperatuurvoeler kan worden aangesloten op de klemmenstrook "SE" van de module. Deze kan worden gebruikt om de buitentemperatuur te laten zien of voor de temperatuurregeling als:

- de module is verbonden met de warmteopwaker via de **ATAG zone**-verbinding (situatie nr. 1),

In dit geval heeft de op de module aangesloten buitentemperatuurvoeler voorrang op de eventueel op de warmteopwaker aangesloten voeler.

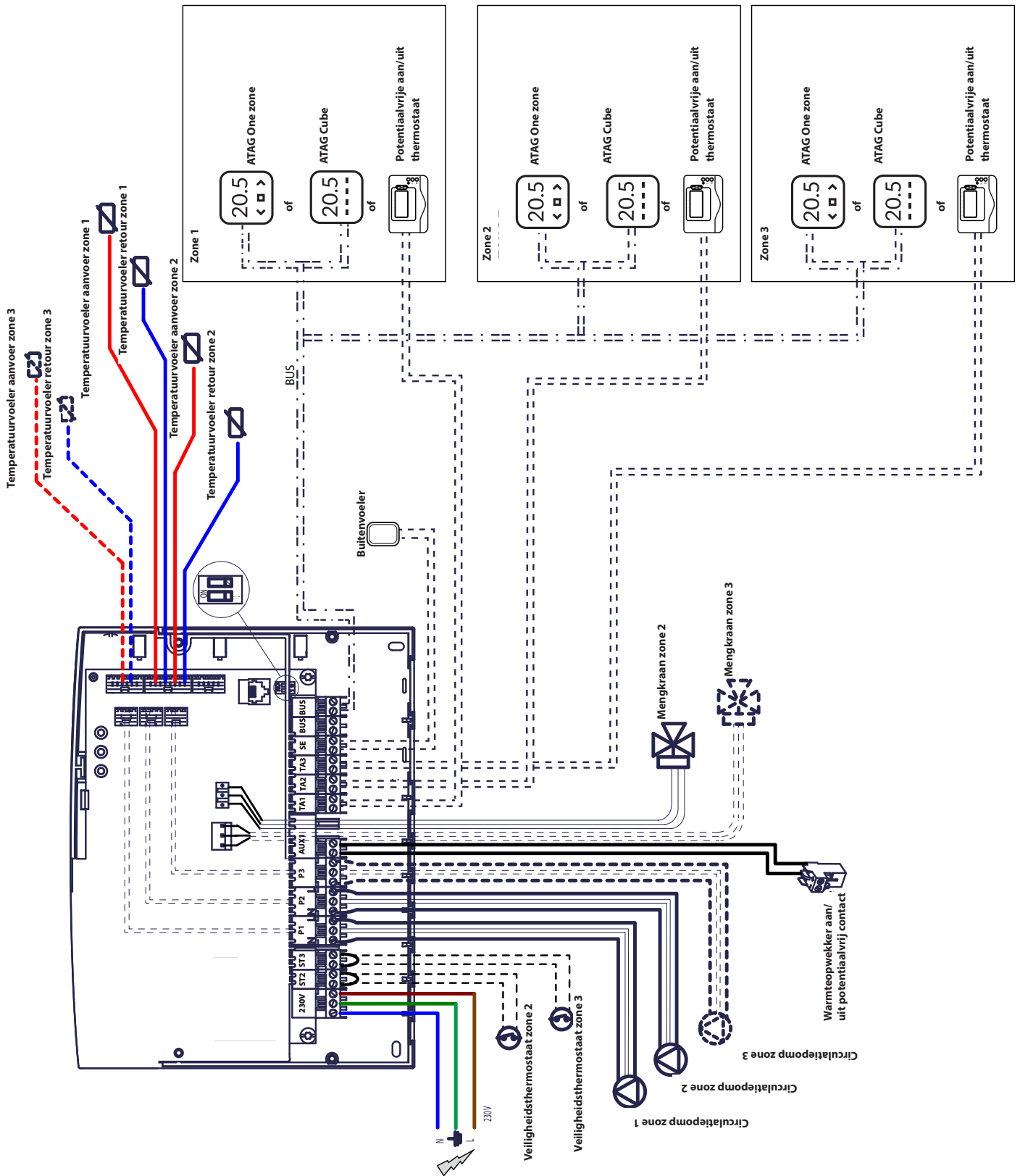
installatie

Elektrisch schema 1: aansluiting op de warmteopwkker met de ATAG zone-verbinding. De instelling van de module gebeurt vanaf de warmteopwkker.



Elektrisch schema 2: aansluiting op alle warmteopwekkertypes.

⚠ In deze configuratie is ten minste één afstandbediening noodzakelijk.



installatie

Elektrische aansluiting van de Menggroep modules II en III

PAS OP

Voorafgaand aan alle werkzaamheden moet u ervoor zorgen dat de netvoeding is uitgeschakeld.

Situatie nr. 1:

De warmteopwekker heeft een **ATAG zone**-verbinding.

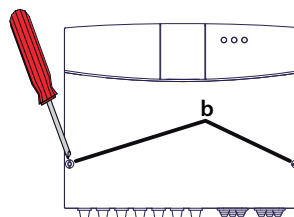
1) Ga als volgt te werk voor toegang tot de aansluitingsklem van de randapparatuur van de warmteopwekker:

- bouw het paneel van de mantel van de warmteopwekker uit,
- kantel de regelunit naar voren.

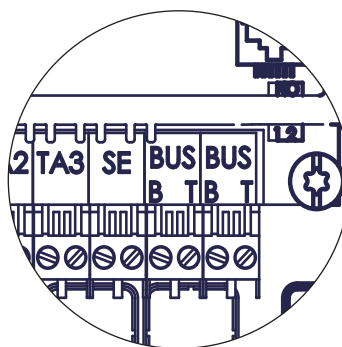
2) Ga als volgt te werk voor toegang tot de aansluitingsklem van de randapparatuur van de module:

- bouw het paneel van de mantel van de module uit,
- draai de twee schroeven (**b**) los en verwijder het deksel van de regelunit.

3) Maak de elektrische verbinding tussen de klemmenstrook "BUS" van de warmteopwekker (B en T) en een van de twee klemmenstroken "BUS" van de module (B en T).



Klemmenstrook Bus van de Module

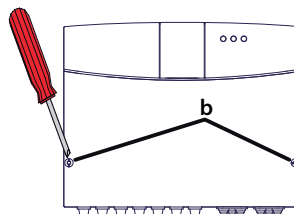


Situatie nr. 2:

De warmteopwekker heeft geen **ATAG zone**-verbinding.

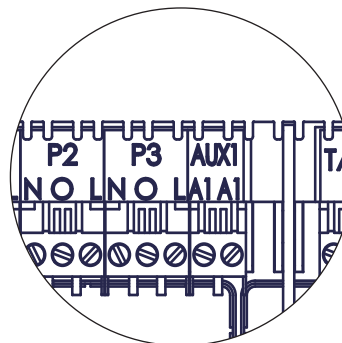
1) Ga als volgt te werk voor toegang tot de aansluitingsklem van de randapparatuur van de module:

- bouw het paneel van de mantel van de module uit,
- draai de twee schroeven (**b**) los en verwijder het deksel van de regelunit.



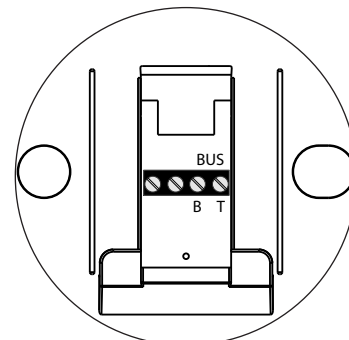
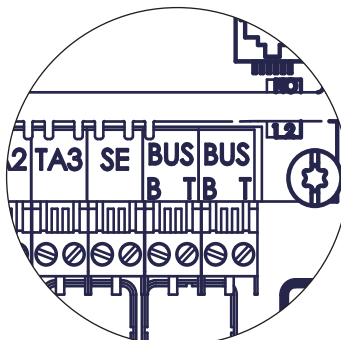
Klemmenstrook AUX1 van de module

2) Maak de elektrische verbinding tussen de klemmenstrook "TA" (kamerthermostaat) van de warmteopwekker en de klemmenstrook "AUX1" van de module.



3) Maak de elektrische verbinding tussen een van de twee klemmenstroken "BUS" van de module en de klemmen "B" en "T" van de bediening.

Klemmenstrook Bus van de Module Klemmenstrook van de afstandbediening



Programmeren van de module

Er zijn twee mogelijkheden:

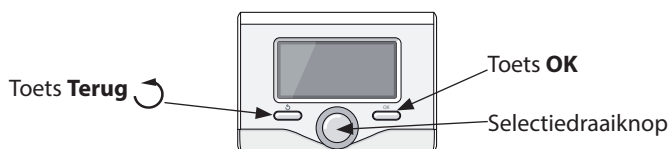
Situatie 1: De warmteopwkker heeft een **ATAG zone**-verbinding, de instelling gebeurt vanaf de warmteopwkker of vanaf een (optionele) afstandbediening.

Situatie nr. 2: de module is onafhankelijk, de instelling van de zones gebeurt vanaf de optioneel leverbare afstandbediening.


Initialisatie

Voordat u de procedure start, moet u controleren of de kringen met water zijn gevuld en de ontluchting is afgelopen.


Als alle apparatuur is aangesloten, voert het systeem een herkenning van de apparatuur en een automatische initialisatie uit.



Configuratie van de module vanaf de warmteopwkker

- 1) Schakel het display in door op de toets **OK** te drukken. Het scherm licht op.
- 2) Druk gelijktijdig 5 seconden lang op de toetsen  en **OK** van de afstandbediening.
- 3) Druk op de toets **OK**. Na de weergave van CODE, drukt u op **OK**, de code **000** verschijnt.
- 4) Draai de selectiedraaiknop naar rechts, maak dan de code **007** zichtbaar en bevestig met de toets **OK**.
- 5) Op het scherm verschijnt MENU, bevestig en selecteer dan het menu **7** en bevestig met de toets **OK**.
- 6) Selecteer het submenu **72** en bevestig met de toets **OK**.
- 7) Selecteer het submenu **720** en bevestig met de toets **OK**.
- 8) Selecteer de parameter **2** voor Menggroep module II en parameter **3** voor Menggroep module II en bevestig met de toets **OK** (zie Menu **720** in de instellingentabel).
- 9) Druk een paar keer op de toets **Terug** om terug te gaan naar de warmteopwkkerweergave.

Configuratie van de module met afstandbediening

- 1) Schakel het display in door op de toets **OK** te drukken. Het scherm licht op.
- 2) Druk gelijktijdig 5 seconden lang op de toetsen  en **OK** van de afstandbediening.
- 3) Maak met behulp van de selectiedraaiknop de code **234** zichtbaar en bevestig dan met de toets **OK**.
- 4) Draai de knop naar rechts om naar de optie **MENU** te gaan en bevestig dan met de toets **OK**.
- 5) Zoek het menu **7** "Multizone module" met behulp van de selectiedraaiknop en bevestig dan met de toets **OK**. Selecteer het submenu **72** "Multizone" en bevestig dan met de toets **OK**. Selecteer de parameter **720** en bevestig dan met de toets **OK** en selecteer Menggroep module II parameter **2** of Menggroep module III parameter **3** en bevestig dan met de toets **OK**.

Ontluchten

De automatische ontluchtingfunctie van de module is alleen actief vanaf de warmteopwkker in de situatie van een **ATAG zone**-verbinding (situatie nr. 1).

De ontluchtingfunctie wordt uitgevoerd door gedurende 5 seconden te drukken op de toets **Terug** van de warmteopwkker of door de parameter **7 0 1** te activeren.

Als de ontluchtingfunctie is geactiveerd, zet de module de pomp aan en uit. Hierdoor wordt de in de kring aanwezige lucht in circulatie gebracht. Indien nodig kunt u een nieuwe cyclus activeren.

Vorstbeveiliging

Als de vertrekvoeler een temperatuur lager dan 5 °C meet, wordt de vorstbeveiliging geactiveerd. Als de vorstbeveiliging is geactiveerd, opent de module laat hij de circulatiepomp.

Antiblokkeerfunctie


Elke 24 uren van inactiviteit, wordt een antiblokkeercyclus uitgevoerd van de circulatiepomp en van de mengkraan.

opstarten

Adressering van de afstandbediening

- 1) Zoek het menu **0** "Netwerk" en bevestig dan met de toets **OK**.
Selecteer het submenu **03** "Systeeminterface" en bevestig dan met de toets **OK**.
- 2) Selecteer het submenu **030** "Zonenummer" en bevestig dan met de toets **OK** en wijs de configuratiecode toe aan de afstandsbediening:
 - 0 geen regelzone (afstandsbediening aan geen enkele zone toegewezen)

en bevestig dan met de toets **OK**.

- 3) Druk een paar keer op de toets  om terug te gaan naar het hoofdscherm

De module werkt nu met de fabrieksinstellingen.


Betekenis van de leds

| GROENE LED (links) | |
|---------------------|---|
| Lampje uit | Elektrische voeding OFF |
| Lampje aan | Elektrische voeding ON |
| Lampje knippert | Elektrische voeding ON, werking in handmatige modus |
| GROENE LED (midden) | |
| Lampje uit | Geen ATAG zone -communicatie |
| Lampje aan | ATAG zone -communicatie aanwezig |
| Lampje knippert | Initialisatie van de ATAG zone -communicatie |
| RODE LED (rechts) | |
| Lampje uit | Geen storingen |
| Lampje aan | Een of meer storingen aanwezig |

Storingsdiagnosegids

De Menggroep modules II en III zijn beveiligd tegen de risico's van storingen door middel van interne controles door het systeem, dat indien nodig een veiligheidsstop uitvoert.

In onderstaande tabel staan de mogelijke storingscodes met hun beschrijving en de bijbehorende remedies:

| Storingscode | Beschrijving | Remedies |
|--------------|---|---|
| 7 0 1 | Storing temperatuurvoeler aanvoer verwarming zone 1 | Controleer de aansluiting van de betreffende voeler. Controleer de geleiding van de voeler. Vervang de voeler indien nodig. |
| 7 0 2 | Storing temperatuurvoeler aanvoer verwarming zone 2 | |
| 7 0 3 | Storing temperatuurvoeler aanvoer verwarming zone 3 | |
| 7 1 1 | Storing temperatuurvoeler retour verwarming zone 1 | |
| 7 1 2 | Storing temperatuurvoeler retour verwarming zone 2 | |
| 7 1 3 | Storing temperatuurvoeler retour verwarming zone 3 | |
| 7 2 2 | Oververhitting zone 2 | Controleer de doorverbinding en de aansluiting ervan op de klemmenstrook "ST2" van de module OF controleer de instelling van de maximum temperatuur van de verwarming van zone 2 (parameter 525). Controleer de aansluiting van de veiligheidsthermostaat op de klemmenstrook "ST2" van de module. |
| 7 2 3 | Oververhitting zone 3 | Controleer de doorverbinding en de aansluiting ervan op de klemmenstrook "ST3" van de module OF controleer de instelling van de maximum temperatuur van de verwarming van zone 2 (parameter 625). Controleer de aansluiting van de veiligheidsthermostaat op de klemmenstrook "ST3" van de module. |
| 4 2 0 | Overbelasting ATAG zone -voeding | De storing "overbelasting BUS-voeding" kan verschijnen als drie of meer apparaten, die voeding leveren aan de BUS, op het systeem zijn aangesloten. Voorbeeld: warmteopwaker + hydraulische module enz... Om dit risico te vermijden, moet de microswitch (Rep. 1) op de elektronische printplaat van een van de aangesloten apparaten (uitgezonderd de warmteopwaker), van ON op OFF worden gezet  |


warmteregeling

Temperatuurregeling

Situatie nr. 1: de warmteopwrekker heeft een ATAG zone-verbinding

De warmteopwrekker en de module communiceren met elkaar voor een optimale werking. In deze situatie zijn meerdere types temperatuurregeling mogelijk, naargelang de configuratie en de instellingen van de installatie. Raadpleeg de gebruiksaanwijzing van de warmteopwrekker.

Situatie nr. 2: de warmteopwrekker heeft geen ATAG zone-verbinding

 In deze situatie kan de module de temperatuurregeling niet beheren. De vertrektemperatuur van het water voor de zone 1 wordt bepaald door de instelling van de warmteopwrekker. Voor de zone 2, stuurt de module de gemotoriseerde mengkraan aan om de vertrektemperatuur van het water vast te houden op de waarde die is gedefinieerd door de parameter **502**.

Voor de zone 3, stuurt de module de gemotoriseerde mengkraan aan om de vertrektemperatuur van het water vast te houden op de waarde die is gedefinieerd door de parameter **602**.

| menu | submenu | parameter | beschrijving | waarde | fabrieks instelling | |
|------|-------------------|----------------------------|-----------------------------------|---|---------------------|--|
| 0 | NETWERK (*) | | | | | |
| 0 | 2 | Bus Netwerk | | | | |
| 0 | 2 | 0 | Netwerk aanwezig | Warmteopwekker Systeeminterface (*) Groupe solaire Zonneregelaar Cascade Manager Energy Manager Hybrid Energy Manager Warmtepomp Kamerthermostaat Zone Manager Externe Modem Multi Functie Clip Vers Water Station Zwembadsturing Hoofd Gebruiker Interface Multi-room Control | | |
| 0 | 3 | Systeem interface | | | | |
| 0 | 3 | 0 | Zone nummer | Geen zone ingesteld Zone-instelling | | |
| 0 | 3 | 1 | Kamerthermostaat | | 0°C | |
| 0 | 3 | 2 | SW Versie Interface | | | |
| 4 | PARAMETERS ZONE 1 | | | | | |
| 4 | 0 | Instelling | | | | |
| 4 | 0 | 0 | Temperatuur Dag | | 14°C | |
| 4 | 0 | 1 | Temperatuur Nacht | | 16°C | |
| 4 | 0 | 2 | T set Z1 | | 55°C | |
| 4 | 0 | 3 | Vriestemperatuur zone | | | |
| 4 | 2 | Instellingen zone 1 | | | | |
| 4 | 2 | 0 | Temperatuurbereik zone 1 | 0 = Laagste temp. 1 = Hoogste temp. | | |
| 4 | 2 | 1 | Thermo-regeling | 0 = Vaste aanvoertemp. 1 = n.v.t. 2 = Enkel binnenvoeler 3 = Enkel buitenvoeler 4 = Binnen- en buitenvoeler | | |
| 4 | 2 | 2 | Stooklijn thermo-regeling (*) | | 1.5 | |
| 4 | 2 | 3 | Parallele verschuiving (*) | | 0°C | |
| 4 | 2 | 4 | Proportionele invloed binnen (*) | | 20°C | |
| 4 | 2 | 5 | Max. Temp | | 82°C | |
| 4 | 2 | 6 | Min. Temp | | 35°C | |
| 4 | 3 | Diagnose zone 1 | | | | |
| 4 | 3 | 0 | Kamertemperatuur | | | |
| 4 | 3 | 1 | Set kamertemperatuur | | 14°C | |
| 4 | 3 | 2 | Aanvoertemperatuur | | 21°C | |
| 4 | 3 | 3 | Retour temperatuur | | 21°C | |
| 4 | 3 | 4 | Vraag naar warmte in zone 1 | OFF/ON | | |
| 4 | 3 | 5 | Staat Pomp | OFF/ON | | |
| 4 | 4 | Instellingen Module zone 1 | | | | |
| 4 | 4 | 0 | Modulatie van de pomp van zone 1 | 0 = Vaste snelheid 1 = Modulerend op temperatuurverschil 2 = Modulerend op druk | | |
| 4 | 4 | 1 | Beoogd delta T voor pompmodulatie | | 20°C | |
| 4 | 4 | 2 | Constante snelheid van de pomp | | 100% | |

(*) Menu alleen geactiveerd met **ATAG zone**-verbinding

inbedrijfstelling

| menu | submenu | parameter | beschrijving | waarde | fabrieks instelling |
|----------|--------------------------|-----------------------------------|-----------------------------------|---|---------------------|
| 5 | PARAMETERS ZONE 2 | | | | |
| 5 | 0 | Instelling | | | |
| 5 | 0 | 0 | Temperatuur Dag | | 12°C |
| 5 | 0 | 1 | Temperatuur Nacht | | 16°C |
| 5 | 0 | 2 | T set Z2 | | 55°C |
| 5 | 2 | Instellingen zone 2 | | | |
| 5 | 2 | 0 | Temperatuurbereik zone 2 | 0 = Laagste temp. 1 = Hoogste temp. | |
| 5 | 2 | 1 | Thermo-regeling | 0 = Vaste aanvoertemp. 1 = n.v.t. 2 = Enkel binnenvoeler 3 = Enkel buitenvoeler 4 = Binnen- en buitenvoeler | |
| 5 | 2 | 2 | Stooklijn thermo-regeling (*) | | 1.5 |
| 5 | 2 | 3 | Parallele verschuiving (*) | | 0°C |
| 5 | 2 | 4 | Proportionele invloed binnen (*) | | 20°C |
| 5 | 2 | 5 | Max. Temp | | 82°C |
| 5 | 2 | 6 | Min. Temp | | 35°C |
| 5 | 3 | Diagnose zone 2 | | | |
| 5 | 3 | 0 | Kamertemperatuur | | 29°C |
| 5 | 3 | 1 | Set kamertemperatuur | | 12°C |
| 5 | 3 | 2 | Aanvoertemperatuur | | 22°C |
| 5 | 3 | 3 | Retour temperatuur | | 21°C |
| 5 | 3 | 4 | Vraag naar warmte in zone 2 | OFF ON | |
| 5 | 3 | 5 | Staat Pomp | OFF ON | |
| 5 | 4 | Instellingen Module zone 2 | | | |
| 5 | 4 | 0 | Modulatie van de pomp van zone 1 | 0 = Vaste snelheid 1 = Modulerend op temperatuurverschil 2 = Modulerend op druk | |
| 5 | 4 | 1 | Beoogd delta T voor pompmodulatie | | 20°C |
| 5 | 4 | 2 | Constante snelheid van de pomp | | 100% |
| 6 | PARAMETERS ZONE 3 | | | | |
| 6 | 0 | Instelling | | | |
| 6 | 0 | 0 | Temperatuur Dag | | 19°C |
| 6 | 0 | 1 | Temperatuur Nacht | | 16°C |
| 6 | 0 | 2 | T set Z3 | | 55°C |
| 6 | 2 | Instellingen zone 3 | | | |
| 6 | 2 | 0 | Temperatuurbereik zone 3 | 0 = Laagste temp. 1 = Hoogste temp. | |
| 6 | 2 | 1 | Thermo-regeling | 0 = Vaste aanvoertemp. 1 = n.v.t. 2 = Enkel binnenvoeler 3 = Enkel buitenvoeler 4 = Binnen- en buitenvoeler | |
| 6 | 2 | 2 | Stooklijn thermo-regeling (*) | | 1.5 |
| 6 | 2 | 3 | Parallele verschuiving (*) | | 0°C |
| 6 | 2 | 4 | Proportionele invloed binnen (*) | | 20°C |
| 6 | 2 | 5 | Max. Temp | | 82°C |
| 6 | 2 | 6 | Min. Temp | | 35°C |

(*) Menu alleen geactiveerd met **ATAG zone**-verbinding

| menu | submenu | parameter | beschrijving | waarde | fabrieks instelling |
|------|---------------------|---------------------------------------|-----------------------------------|---|---------------------|
| 6 | 3 | Diagnose zone 3 | | | |
| 6 | 3 | 0 | Kamertemperatuur | | |
| 6 | 3 | 1 | Set kamertemperatuur | | 19°C |
| 6 | 3 | 2 | Aanvoertemperatuur | | 0°C |
| 6 | 3 | 3 | Retour temperatuur | | 0°C |
| 6 | 3 | 4 | Vraag naar warmte in zone 3 | OFF ON | |
| 6 | 3 | 5 | Staat Pomp | OFF ON | |
| 6 | 4 | Instellingen Module zone 3 | | | |
| 6 | 4 | 0 | Modulatie van de pomp van zone 1 | 0 = Vaste snelheid 1 = Modulerend op temperatuurverschil 2 = Modulerend op druk | |
| 6 | 4 | 1 | Beoogd delta T voor pompmodulatie | | 20°C |
| 6 | 4 | 2 | Constante snelheid van de pomp | | 100% |
| 7 | MODULE ZONES | | | | |
| 7 | 1 | Manuele Modus | | | |
| 7 | 1 | 0 | Manuele Modus activeren | 0 = OFF 1 = ON | |
| 7 | 1 | 1 | Controle Pomp zone 1 | 0 = OFF 1 = ON | |
| 7 | 1 | 2 | Controle Pomp zone 2 | 0 = OFF 1 = ON | |
| 7 | 1 | 3 | Controle Pomp zone 3 | 0 = OFF 1 = ON | |
| 7 | 1 | 4 | Controle Mengklep zone 2 | 0 = OFF 1 = Open 2 = Gesloten | |
| 7 | 1 | 5 | Controle Mengklep zone 3 | 0 = OFF 1 = Open 2 = Gesloten | |
| 7 | 2 | Algemene Module zones | | | |
| 7 | 2 | 0 | Bepalen hydraulisch schema | 0 = Niet bepaald 1 = n.v.t. 2 = MGM II 3 = MGM III 4 = MGZ I 5 = MGZ II 6 = MGZ III | 0 |
| 7 | 2 | 1 | Verschuiving aanvoertemperatuur | | 0°C |
| 7 | 2 | 2 | Instelling Aux. Uitgang | 0 = Vraag naar verwarming 1 = Externe pomp 2 = Alarm | |
| 7 | 2 | 3 | Correctie buitentemperatuur | | |
| 7 | 8 | Historiek van de foutmeldingen | | | |
| 7 | 8 | 0 | 10 laatste foutmeldingen | | |
| 7 | 8 | 1 | Reset de lijst met foutmeldingen | OK = Ja ESC = Neen | |
| 7 | 9 | Reset Menu | | | |
| 7 | 9 | 0 | Reset de standaardinstellingen | OK = Ja ESC = Neen | |

inbedrijfstelling

| menu | submenu | parameter | beschrijving | waarde | fabrieks instelling |
|----------|-------------------------------|---|--|---------------------------------------|------------------------|
| 8 | Service parameters (*) | | | | |
| 8 | 1 | Statistieken (*) | | | |
| 8 | 1 | 0 | Uren brander Verwarming AAN (h x10) (*) | | |
| 8 | 1 | 1 | Uren brander Sanitair AAN (h10) (*) | | |
| 8 | 1 | 2 | Aantal keren dat de vlam loskomt (n x10) (*) | | |
| 8 | 1 | 3 | Aantal cycli ontbranding (n x10) (*) | | |
| 8 | 1 | 4 | Gemiddelde duur van vraag naar warmte (*) | | |
| 8 | 1 | 5 | Systeem nummer | | |
| 8 | 2 | Warmteopwrekker (*) | | | |
| 8 | 2 | 0 | Modulatie warmteopwrekker (*) | | |
| 8 | 2 | 1 | Status ventilator (*) | OFF ON | |
| 8 | 2 | 2 | Snelheid van de ventilator (x1000 t/m) (*) | | |
| 8 | 2 | 3 | Snelheid van de pomp (*) | OFF Lage snelheid Hoge snelheid | |
| 8 | 2 | 4 | Stand driewegklep (*) | Sanitair Verwarming | |
| 8 | 2 | 5 | Debiet sanitair (liter/minuut) (*) | | 19 l/min |
| 8 | 2 | 6 | Stand pressostaat | Open Gesloten | |
| 8 | 2 | 7 | % modulatie pomp (*) | | 100% |
| 8 | 2 | 8 | Vermogen gas (*) | | 6 kW |
| 8 | 3 | Temperatuur van de warmteopwrekker (*) | | | |
| 8 | 3 | 0 | Ingestelde temperatuur Verwarming (*) | | 55°C |
| 8 | 3 | 1 | Aanvoertemperatuur verwarming(*) | | 14°C |
| 8 | 3 | 2 | Retourtemperatuur verwarming (*) | | 23°C |
| 8 | 3 | 3 | Aanvoertemperatuur sanitair (*) | | 59°C |
| 8 | 3 | 5 | Buitentemperatuur (*) | | 14°C |

(*) Menu alleen geactiveerd met **ATAG zone**-verbinding

INDEX

Présentation générale

| | |
|-------------------------|---|
| Étiquetage CE | 2 |
| Normes de sécurité..... | 3 |

Description du produit

| | |
|--------------------------|---|
| Introduction | 4 |
| Vue générale | 4 |
| Dimensions..... | 5 |
| Données techniques | 5 |

Installation

| | |
|---|----|
| Avant l'installation de l'appareil..... | 6 |
| Installation murale | 6 |
| Raccords hydrauliques | 6 |
| Schéma hydraulique | 8 |
| Raccordements électriques..... | 8 |
| Capteur de température extérieure..... | 8 |
| Schéma de câblage | 9 |
| Raccordement électrique..... | 11 |

Préparer la chaudière à son utilisation

| | |
|--|----|
| Programmer le module | 12 |
| Initialisation | 12 |
| Configurer le module..... | 12 |
| Purge d'air | 12 |
| Fonction hors gel..... | 12 |
| Fonction anti-blocage | 12 |
| Adressage de l'interface système | 13 |
| Signification des témoins..... | 14 |
| Guide de dépannage | 14 |

Régulation thermique

| | |
|----------------------------------|----|
| Contrôle de la température | 15 |
|----------------------------------|----|

Paramètres 16**Présentation générale**

Cette notice fait partie intégrante de l'appareil. Lisez attentivement les consignes et les avertissements contenus dans cette notice. Ils fournissent des règles importantes sur la sécurité relative à l'installation, l'utilisation et l'entretien.

Les notes techniques et les consignes dans le présent document sont destinées aux installateurs afin de leur permettre de réaliser la procédure en toute sécurité, conformément aux procédures standard.

Le module est conçu pour commander les systèmes de chauffage multi-zones/multi-températures. Il est strictement interdit d'utiliser l'appareil à d'autres fins que celles qui sont prévues. Le fabricant ne saurait être tenu responsable d'un quelconque endommagement de l'appareil dû à un usage inapproprié, inadapté ou irrationnel ou au non-respect des consignes contenues dans le présent manuel. L'installateur doit être qualifié pour installer des appareils de chauffage. Une fois cette opération achevée, l'installateur concerné devra remettre au client un certificat de conformité.

Les travaux d'installation, de maintenance et toutes les autres interventions doivent être effectués en se conformant à la lettre aux réglementations en vigueur et aux consignes fournies par le fabricant.

Des erreurs dans l'installation peuvent porter atteinte aux personnes, aux animaux et aux biens personnels ; le fabricant ne saurait être tenu responsable de quelconques dommages qui en découleraient.

Si des pièces sont absentes ou si l'appareil est endommagé, veuillez contacter le fournisseur. Conserver tous les emballages (clips, sachets en plastique, mousse de polystyrène, etc.) hors de portée des enfants, car ils pourraient présenter un risque. Avant d'intervenir sur le module, veiller à couper l'alimentation électrique. Toutes les réparations doivent être réalisées par un professionnel qualifié uniquement au moyen de pièces de rechange d'origine. Le non-respect de ces consignes pourrait compromettre la sécurité de l'appareil et annuler toute responsabilité de la part du fabricant. Couper l'alimentation électrique lors du nettoyage des parties externes de l'appareil. Nettoyer au moyen d'un chiffon humide. Ne pas utiliser de détergents agressifs ou de produits toxiques.

Étiquetage CE

La marque CE garantit que l'appareil est conforme aux directives suivantes :

- 2004/108/CE relative à la compatibilité électromagnétique
- 2006/95/CE relative à la sécurité électrique

présentation générale

Normes de sécurité

Légende des symboles :

- ⚠ Le non-respect des avertissements est lié à un risque de dommages corporels, voire de danger mortel.
- ⚠ Le non-respect des alertes de danger peut avoir une incidence préjudiciable et endommager, gravement dans certains cas, les biens, les plantes ou les animaux.

Installer l'appareil sur un mur solide, non soumis à des vibrations.

- ⚠ Fonctionnement bruyant.

Lors du perçage du mur, s'assurer de ne pas endommager les câbles électriques ou les tuyaux.

- ⚠ Un contact avec des conducteurs sous tension peut causer une électrocution. Explosions, incendies ou intoxications dus aux fuites de gaz s'échappant d'un tuyau endommagé. Endommagement des installations existantes. Inondations dues à l'eau s'échappant des tuyaux endommagés.

Pour les raccordements électriques, utiliser obligatoirement des conducteurs de section appropriée.

- ⚠ Incendie suite à une surchauffe provoquée par le passage de courant électrique à l'intérieur de câbles sous dimensionnés.

Protéger les câbles de connexion pour éviter qu'ils ne soient endommagés.

- ⚠ Un contact avec des conducteurs sous tension peut causer une électrocution. Explosions, incendies ou intoxications dus aux fuites de gaz s'échappant d'un tuyau endommagé. Inondations dues à l'eau s'échappant des tuyaux endommagés.

Vérifier que la pièce et les installations auxquelles l'appareil sera connecté sont conformes aux normes en vigueur.

- ⚠ Un contact avec des conducteurs sous tension qui ne sont pas correctement installés peut causer une électrocution. Endommagement de l'appareil dû à de mauvaises conditions de fonctionnement.

Utiliser des accessoires et des outils à main adaptés à leur utilisation (veiller à ce que l'outil ne soit pas endommagé, que sa poignée soit correctement fixée et en bon état), utiliser les outils correctement, éviter qu'ils tombent accidentellement et les ranger après emploi.

- ⚠ Dommages corporels causés par la projection d'éclats ou de fragments, l'inhalation de poussières, un heurt, coupures, piqûres ou abrasions. Dommages matériels de l'appareil ou d'objets à proximité causés par la projection de débris ou fragments, par des coupures, des incisions.

Utiliser des équipements électriques appropriés (en particulier, vérifiez que le câble et la fiche sont en bon état et que les pièces rotatives ou basculantes sont correctement fixées). Utiliser correctement. Ne pas bloquer le passage avec des câbles électriques laissés au sol. Les fixer pour éviter un risque de trébuchement. Les débrancher et les ranger après emploi.

- ⚠ Des dommages corporels peuvent être causés par la projection d'éclats ou de fragments, l'inhalation de poussières, un heurt, des coupures, piqûres, abrasions, bruits ou vibrations. Dommages matériels de l'appareil ou d'objets à proximité causés par la projection de débris ou fragments, par des coupures, des incisions. **Veiller à ce que les échelles portatives soient stables et robustes, ne puissent pas glisser et que les barreaux soient en bon état. Veiller à ce qu'une personne soit présente pour s'assurer que l'échelle ne peut pas bouger lorsqu'une autre personne l'utilise.**

- ⚠ Des lésions peuvent être provoquées par une chute d'une hauteur élevée ou par coupure (échelle pliante).

Veiller à ce que les échelles mobiles soient stables et suffisamment robustes, que les barreaux soient anti-dérapants, en bon état et qu'elles soient dotées d'une main courante tout le long de la rampe et de la plate-forme.

- ⚠ Des lésions peuvent être provoquées par une chute d'une hauteur élevée.

Pour réaliser des travaux en hauteur (en règle générale, dans le cadre d'un emploi lorsque la différence de hauteur est supérieure à 2 m), veiller à utiliser un rail de sécurité autour de la zone de travaux ou un équipement de protection individuelle qui évite les chutes, à ce que la trajectoire d'une chute éventuelle ne soit pas bloquée par des objets dangereux et que tout impact possible soit amorti par des supports semi-rigides ou déformables.

- ⚠ Des lésions peuvent être provoquées par une chute d'une hauteur élevée.

Veiller à ce que les conditions d'hygiène et de sécurité soient adaptées en termes d'éclairage, de ventilation, solidité structurelle et issues de secours.

- ⚠ Dommages corporels causés par un heurt, un trébuchement, etc. **Protéger l'appareil et les zones autour de la zone de travaux au moyen d'équipements adaptés.**

- ⚠ L'appareil ou les objets à proximité peuvent être endommagés par des éclats, des coupures ou des éraflures.

Déplacer l'appareil au moyen d'équipements de protection adaptés et en prenant un maximum de précautions.

- ⚠ Endommagement de l'appareil ou des objets à proximité suite à des chocs, impacts, égratignures ou écrasement.

Pendant la durée des travaux, il est impératif d'utiliser des vêtements de sécurité et un équipement de protection individuelle.

- ⚠ Des dommages corporels peuvent être causés par électrocution, la projection d'éclats ou de fragments, l'inhalation de poussières, un heurt, des coupures, piqûres, abrasions, bruits ou vibrations.

Veiller à ce que tous les équipements soient stockés de manière à ce que leur manutention soit simple et sûre ; éviter de créer des empilements qui risquent de s'effondrer.

- ⚠ Endommagement de l'appareil ou des objets à proximité suite à des chocs, impacts, égratignures ou écrasement.

Les travaux à l'intérieur de l'appareil doivent être effectués avec grand soin afin d'éviter un contact soudain avec des pièces tranchantes.

- ⚠ Lésions corporelles par suite de coupures, piqûres et abrasions. **Réinitialiser toutes les fonctions de sécurité et de commande affectées par une opération sur l'appareil et veiller à ce qu'elles fonctionnent correctement avant de les remettre en service.**

- ⚠ Explosions, incendies ou intoxications causés par des fuites de gaz ou une mauvaise évacuation des fumées. Endommagement ou arrêt de l'appareil dû à des conditions de fonctionnement non contrôlées.

Vidanger les quelconques composants pouvant contenir de l'eau chaude, activer les purges avant toute opération, le cas échéant.

- ⚠ Lésions corporelles causées par des brûlures.

Détartre les composants en suivant les recommandations de la fiche de sécurité du produit utilisé, ventiler la pièce, porter des vêtements de sécurité, éviter de mélanger les produits, protéger l'appareil et les objets à proximité.

- ⚠ Lésions corporelles dues à un contact des yeux avec des substances acides, l'inhalation ou l'ingestion d'agents chimiques nocifs. Endommagement de l'appareil ou des objets à proximité en raison de la corrosion causée par des substances acides.

En cas d'odeur de brûlé ou de fumées d'évacuation émanant de l'appareil, couper l'alimentation électrique, ouvrir les fenêtres et appeler un technicien.

- ⚠ Lésions corporelles causées par des brûlures, par l'inhalation des fumées d'évacuation, par intoxication. Explosions, incendie ou intoxication.

Introduction

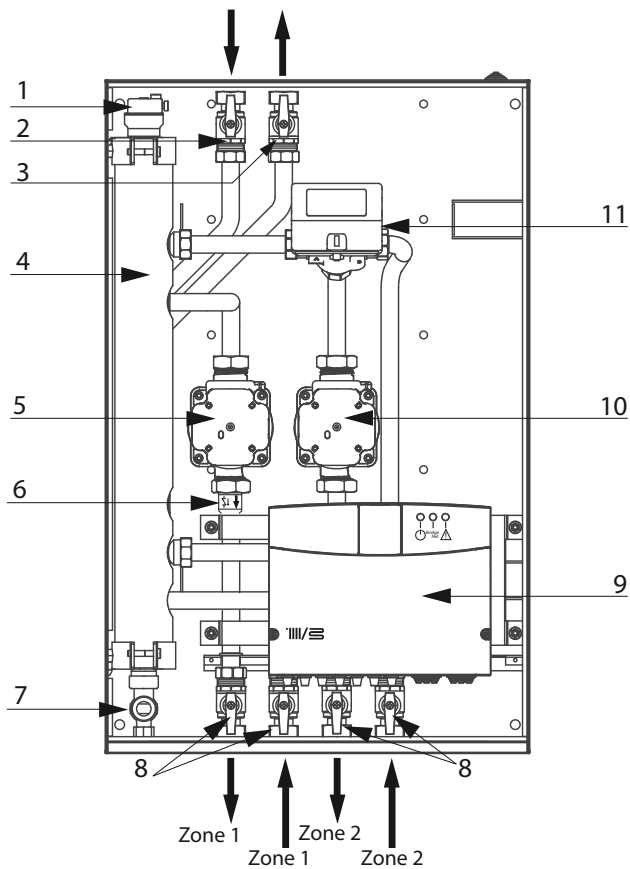
Les modules II et III du circuit de chauffage mixte sont des modules hydrauliques multi-températures, dotés d'une ou deux vannes mélangeuses motorisées à 3 voies et de pompes de modulation à faible consommation d'énergie. Il est possible de gérer jusqu'à trois circuits, y compris un directement (sans vanne mélangeuse). Les modules multi-températures sont conçus pour avoir une installation hydraulique indépendante de la chaudière.

Les modules II et III du circuit de chauffage mixte peuvent fonctionner dans l'un des deux modes de régulation suivants :

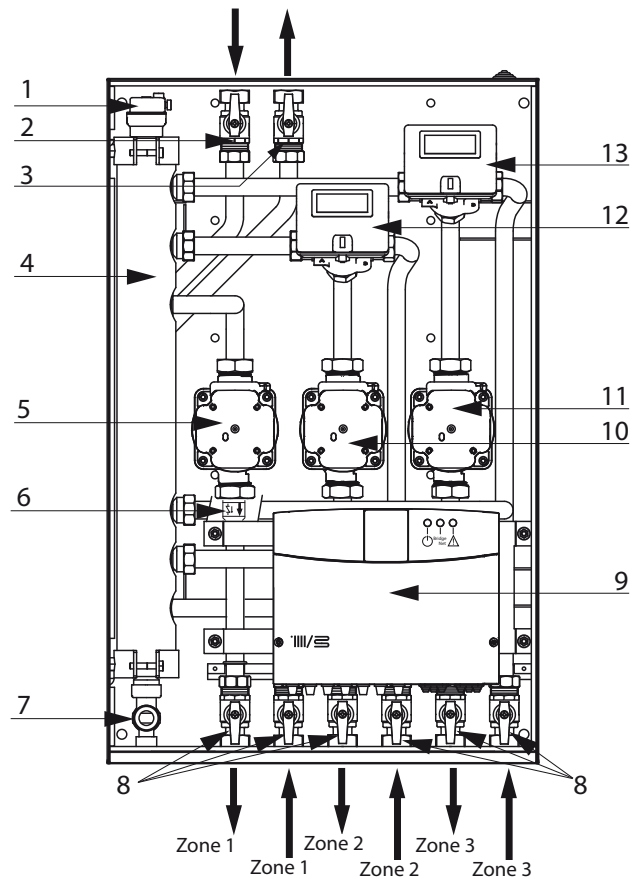
Scénario n° 1 : la chaudière est dotée d'une connexion **zone ATAG**. La chaudière et le module communiquent pour un rendement optimal. Le module et le chauffage peuvent être configurés directement sur le panneau de commande de la chaudière.

Scénario n° 2 : la chaudière n'est pas dotée d'une option de connexion **zone ATAG**. Quand une demande de chauffe est envoyée au module, le signal est transmis à la chaudière par un contact sec. Il faut alors utiliser une interface système (facultative) pour configurer le module et le chauffage.

Vue générale Module II du circuit de chauffage mixte



Vue générale Module III du circuit de chauffage mixte

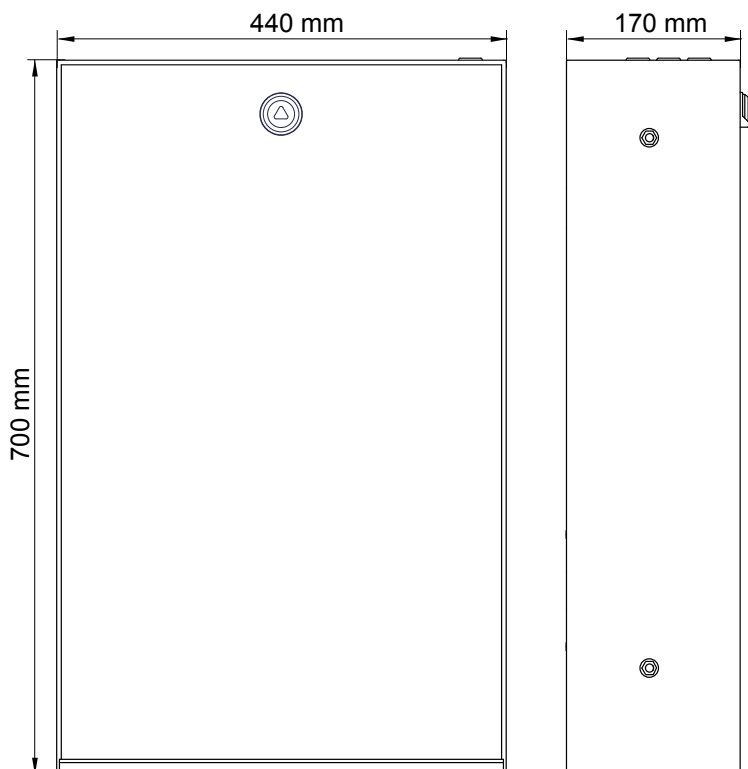


1. Purgeur automatique
2. Robinet d'isolement de l'admission de la chaudière
3. Robinet d'isolement de retour de la chaudière
4. Collecteur d'équilibrage
5. Pompe de circulation zone 1
6. Clapet anti-retour zone 1
7. Sortie du séparateur d'impuretés
8. Robinets d'isolement zone 1 - 2
9. Unité de commande
10. Pompe de circulation zone 2
11. Vanne mélangeuse de zone 2

1. Purgeur automatique
2. Robinet d'isolement de l'admission de la chaudière
3. Robinet d'isolement de retour de la chaudière
4. Collecteur d'équilibrage
5. Pompe de circulation zone 1
6. Clapet anti-retour zone 1
7. Sortie du séparateur d'impuretés
8. Robinets d'isolement zone 1 - 2 - 3
9. Unité de commande
10. Pompe de circulation zone 2
11. Pompe de circulation zone 3
12. Vanne mélangeuse de zone 2
13. Vanne mélangeuse de zone 3

description du produit

Dimensions



Données techniques

| | | | | |
|------------------------------|---|----------------|---|--|
| NOTES GÉN. | Nom du modèle | | Module II du circuit de chauffage mixte | Module III du circuit de chauffage mixte |
| | Conformité | | CE | |
| CIRCUIT DE CHAUFFAGE | Pression de service des circuits de chauffage | bars | 0,5 - 3 | 0,5 - 3 |
| | Température de service directe maximale des circuits de chauffage | °C | 85 | 85 |
| DONNÉES ÉLECTRIQUES | Tension/fréquence de l'alimentation électrique | V/Hz | 230/50 | 230/50 |
| | Puissance nominale | W | 116 (*) | 174 (*) |
| | Puissance électrique d'entrée minimale | W | 30 (**) | 45 (**) |
| | Classe de protection du système électrique | IP | X5D | X5D |
| | Capacité en eau du module | L | 2,0 | 2,5 |
| | Poids à vide du module | kg | 20 | 23 |
| | Dimensions (H x L x l) | mm | 440 x 700 x 170 | |
| | Raccords hydrauliques | Côté chaudière | | 3/4"F |
| Côté circuit de chauffage | | | 3/4"F | 3/4"F |

(*) Données avec tous les appareils électriques en fonctionnement à leur consommation électrique maximale.

(**) Données avec la pompe ou les pompes fonctionnant à vitesse minimum.

Avant l'installation de l'appareil

Afin d'éviter un usage incorrect du module, le lieu d'installation doit correspondre aux limites pertinentes de température de service et être protégé des agents corrosifs volatils. Le module est conçu pour une installation murale, directement sous la chaudière. Lors du montage du module, s'assurer que l'espace autour de celui-ci est suffisant pour permettre un accès facile après l'installation.

AVERTISSEMENT

Lors du perçage du mur pour l'installation, assurez-vous de ne pas endommager les câbles électriques ou les tuyaux existants.

Installation murale

Utiliser un niveau à bulle pour positionner le module. Pour le fixer au mur, déposer la porte au moyen de la clé fournie (triangulaire). Fixer le module au mur au moyen de chevilles adaptées au type de mur et au poids de l'appareil. Les quatre points de montage sont situés à l'intérieur des quatre angles du module.

Raccordement hydraulique

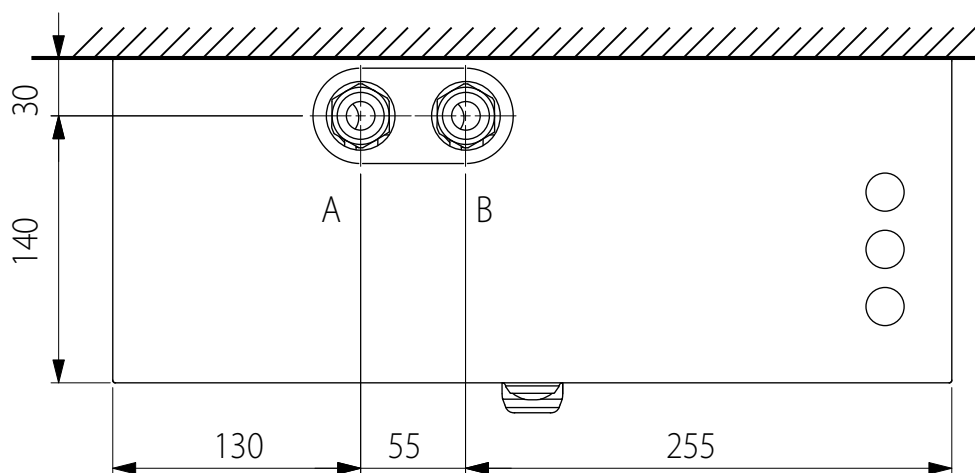
Le module doit être connecté à un système de chauffage correctement dimensionné, conforme à ses niveaux de performance.

Avant de raccorder le module, il est nécessaire de réaliser les opérations suivantes :

- rincer soigneusement les tuyaux du système afin de retirer les quelques débris pouvant empêcher le bon fonctionnement du système ;
- s'assurer que la pression du circuit primaire n'est pas supérieure à 3 bars ;
- s'assurer que la température d'admission n'est pas supérieure à 85°C ;
- s'assurer que tous les dispositifs de sécurité et de service nécessaires, conçus pour garantir le bon fonctionnement de l'appareil, ont été installés ;
- s'assurer que la capacité du vase d'expansion est adaptée à la quantité d'eau contenue dans le système.

Le module est équipé d'un robinet d'isolement pour faciliter la réalisation des quelques opérations d'entretien nécessaires.

Vue de dessus



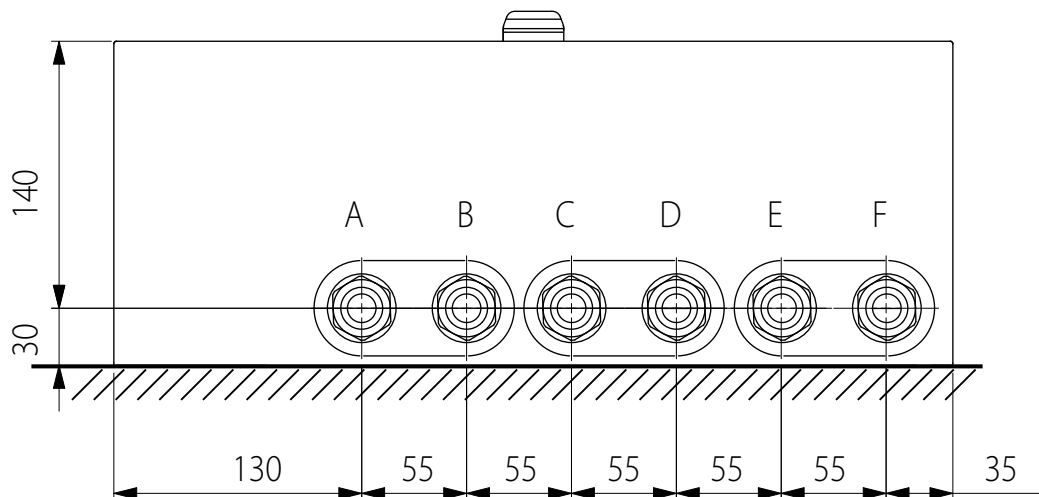
Légende :

CÔTÉ CHAUDIÈRE

A. Admission de la chaudière

B. Retour chaudière

Vue de dessous



CÔTÉ INSTALLATION

A. Admission zone 1

B. Retour zone 1

C. Admission zone 2 température contrôlée

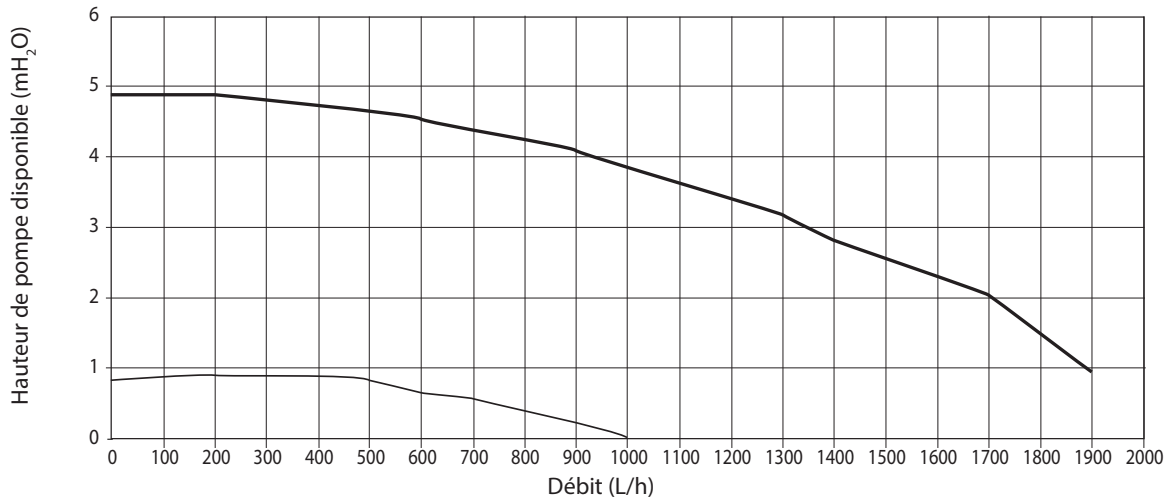
D. Retour zone 2 température contrôlée

E. Admission zone 3 température contrôlée

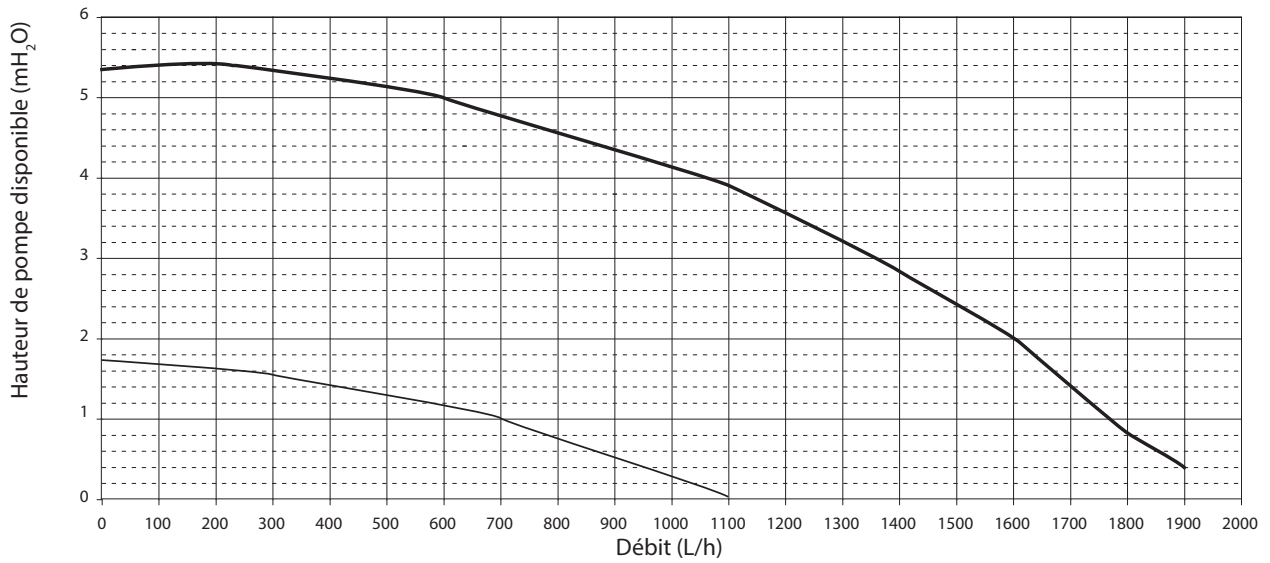
F. Retour zone 3 température contrôlée

Pour des détails concernant le dimensionnement hydraulique de l'installation, se reporter aux courbes débit/pression ci-dessous, représentant la pompe de circulation qui fonctionne à vitesse maximale et minimale pour chaque zone.

Hauteur de pompe disponible zone 1



Hauteur de pompe disponible zones 2 et 3, vanne mélangeuse, levier en position basse (A → AB)



Hauteur de pompe disponible zones 2 et 3, vanne mélangeuse, levier en position haute (B → AB)

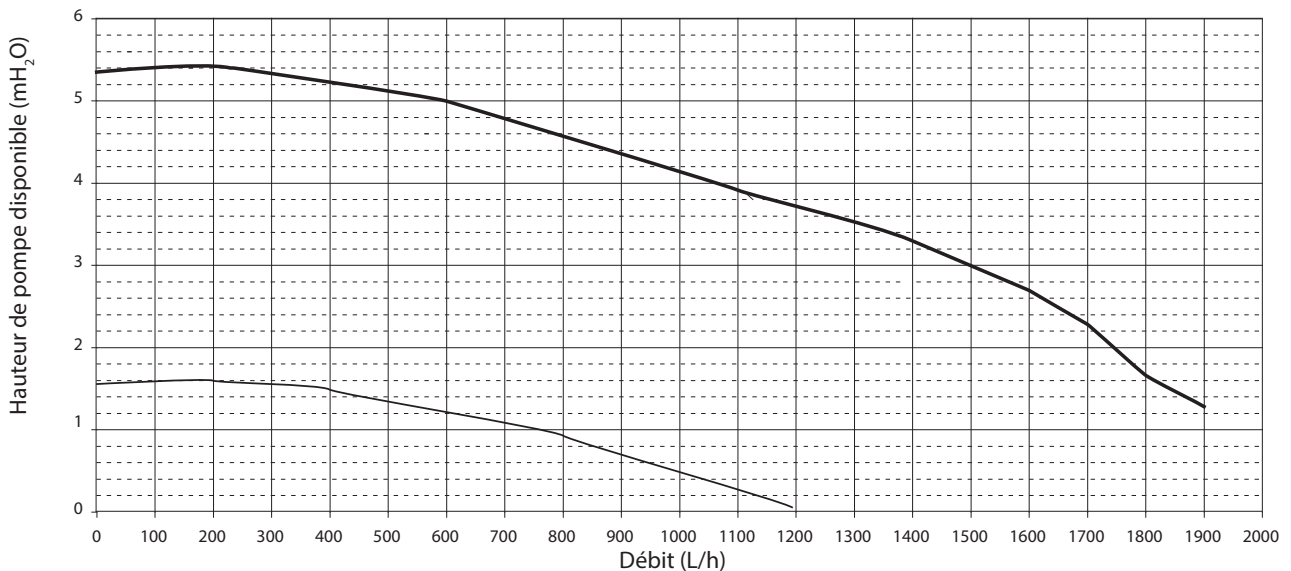
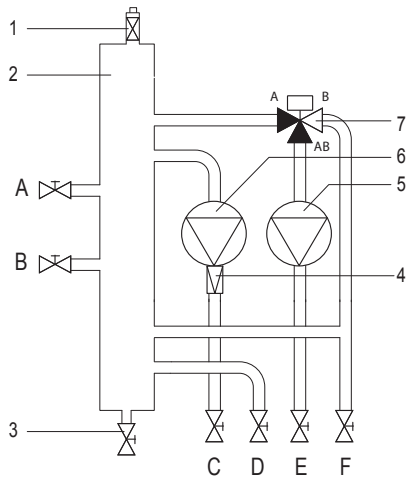


Schéma hydraulique du module II du circuit de chauffage mixte



Légende

1. Purgeur automatique
2. Collecteur d'équilibrage
3. Sortie du séparateur d'impuretés
4. Clapet anti-retour zone 1
5. Pompe de circulation zone 2
6. Pompe de circulation zone 1
7. Vanne mélangeuse de zone 2

- A. Admission de la chaudière
 B. Retour chaudière
 C. Admission zone 1
 D. Retour zone 1
 E. Admission zone 2 température contrôlée
 F. Retour zone 2 température contrôlée

AVERTISSEMENT

Avant de réaliser de quelconques travaux sur la chaudière, il convient de l'isoler du secteur

Raccordements électriques

Pour une plus grande sécurité, il convient de faire vérifier la totalité du circuit électrique par un électricien qualifié.

Le fabricant ne pourra pas être tenu responsable de quelconques dommages causés par l'absence d'un système adapté de mise à la terre ou par le dysfonctionnement de l'alimentation électrique. Veiller à ce que le système électrique puisse fournir la puissance maximale requise par le module (comme indiqué sur la plaque signalétique). Veiller à ce que la section des câbles soit adaptée et ne soit pas inférieure à 1,5 mm².

Pour un fonctionnement en toute sécurité, l'équipement doit être connecté à un système de mise à la terre.

Le câble d'alimentation électrique doit être connecté à un réseau en 230 V 50 Hz, en veillant au bon branchement de la phase, du neutre et de la terre.

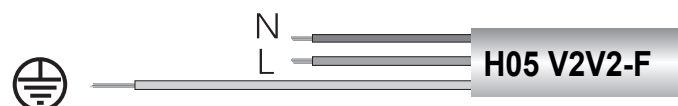
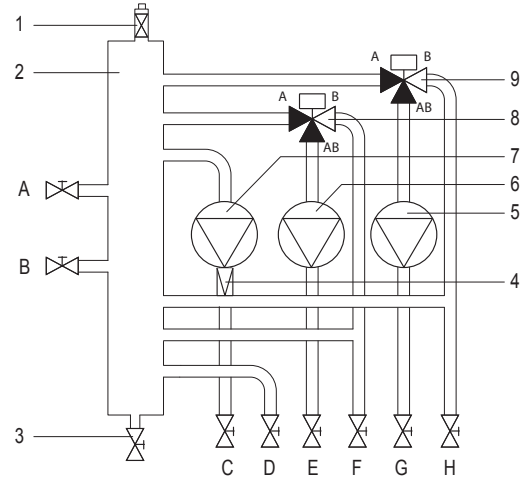


Schéma hydraulique du module III du circuit de chauffage mixte



Légende

1. Purgeur automatique
2. Collecteur d'équilibrage
3. Sortie du séparateur d'impuretés
4. Clapet anti-retour zone 1
5. Pompe de circulation zone 3
6. Pompe de circulation zone 2
7. Pompe de circulation zone 1
8. Vanne mélangeuse de zone 2
9. Vanne mélangeuse de zone 3

- A. Admission de la chaudière
 B. Retour chaudière
 C. Admission zone 1
 D. Retour zone 1
 E. Admission zone 2 température contrôlée
 F. Retour zone 2 température contrôlée
 G. Admission zone 3 température contrôlée
 H. Retour zone 3 température contrôlée

Pour une installation d'un chauffage au sol basse température, utiliser un thermostat de sécurité pour zones 2 et 3.

Le branchement électrique doit être réalisé sur les bornes ST2 et ST3 du module.

Capteur de température extérieure

Il est possible de brancher un capteur de température extérieure sur la borne « SE » du module. Il peut être utilisé pour afficher la température extérieure ou pour commander la température si :

- le module est connecté à la chaudière via la connexion **zone ATAG** (scénario n° 1).

Dans ce scénario, le capteur de température extérieure connecté au module remplace le capteur éventuellement connecté à la chaudière.

installation

Schéma de câblage 1 : connexion à une chaudière dotée d'une connexion zone ATAG. Le module est configuré sur la chaudière ou au moyen d'une interface système

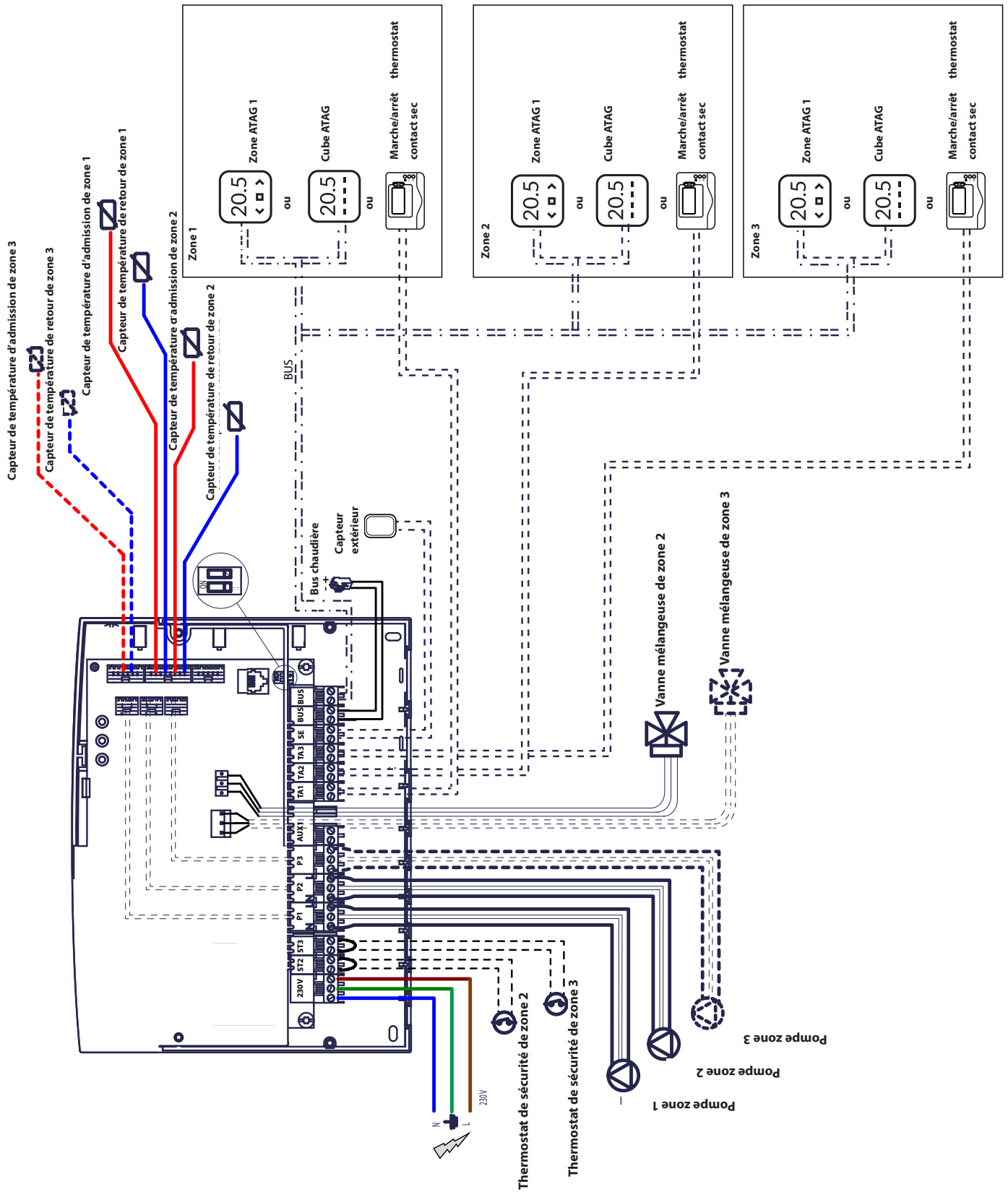
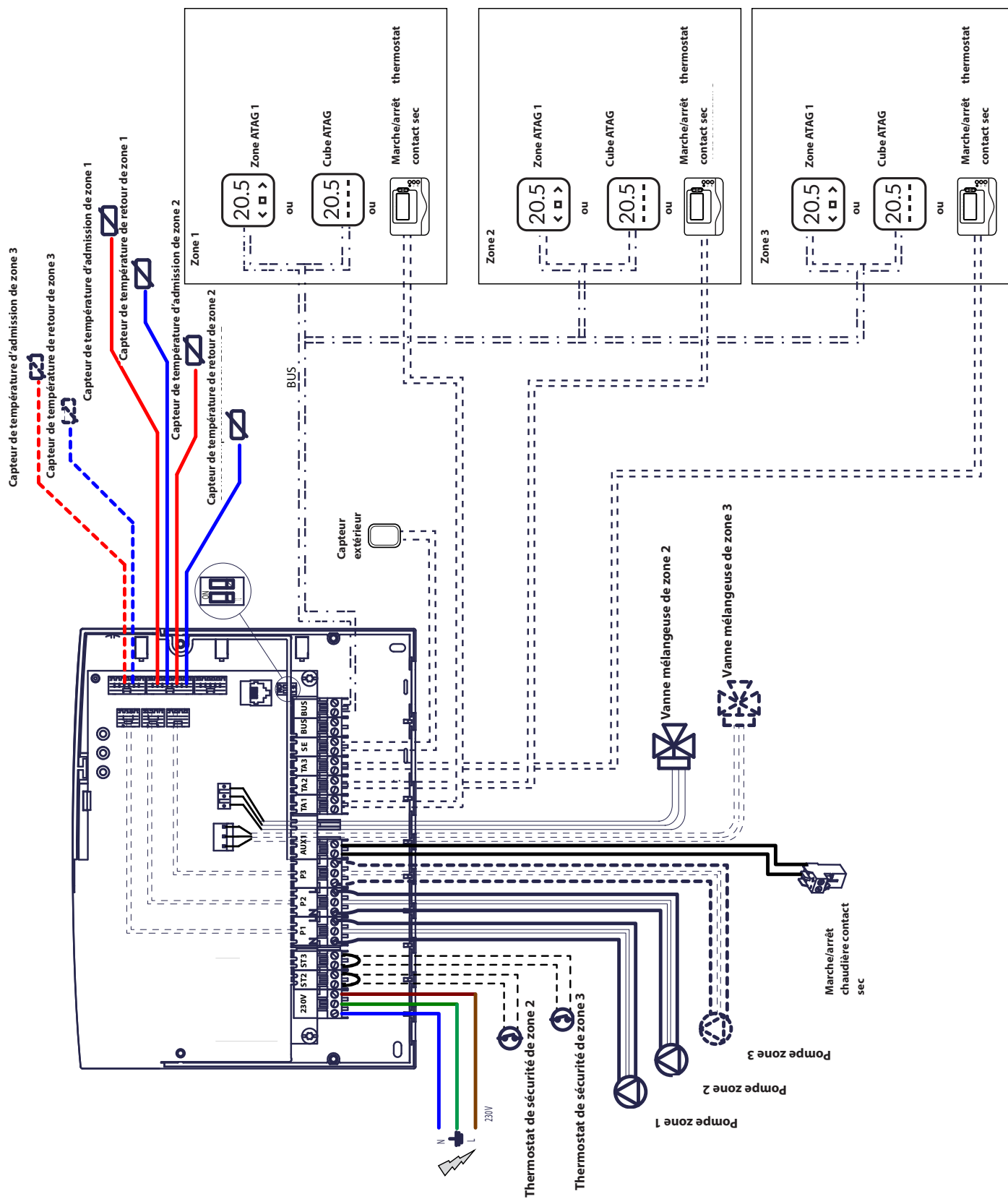


Schéma de câblage 2 : connexion à tous types de chaudière.

⚠ Dans cette configuration, il faut au moins une interface système.



installation

Branchement électrique des modules II et III du circuit de chauffage mixte

AVERTISSEMENT

Avant de procéder à de quelconques travaux, débrancher du secteur.

Scénario n° 1 :

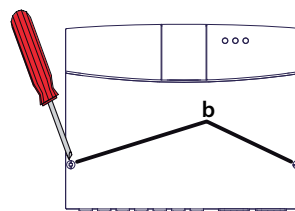
La chaudière est dotée d'une connexion **zone ATAG**.

1) Pour accéder au bloc de connexion pour les périphériques de la chaudière, procéder de la manière suivante :

- déposer le panneau d'habillage de la chaudière,
- incliner l'unité de commande vers l'avant.

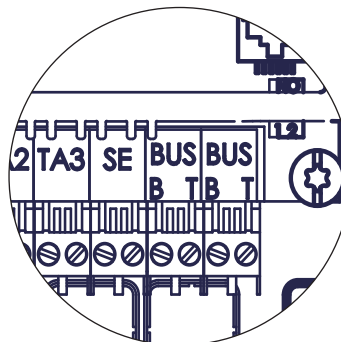
2) Pour accéder au bloc de connexion pour les périphériques du module, procéder de la manière suivante :

- déposer le panneau d'habillage du module,
- desserrer les deux vis (**b**) et déposer le capot de l'unité de commande.



Borne Bus du module

3) Procéder au raccordement électrique entre la borne « BUS » de la chaudière (B et T) et l'une des deux bornes « BUS » du module (B et T).

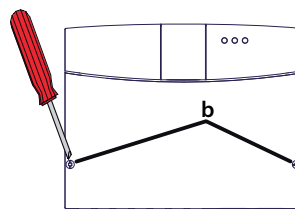


Scénario n° 2 :

La chaudière n'est pas dotée d'une connexion **zone ATAG**.

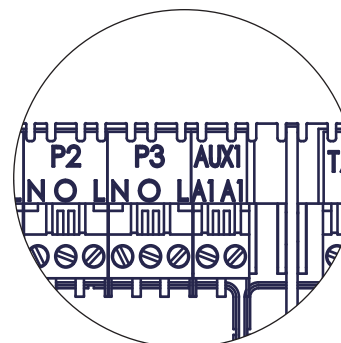
1) Pour accéder au bloc de connexion pour les périphériques du module, procéder de la manière suivante :

- déposer le panneau d'habillage du module,
- desserrer les deux vis (**b**) et déposer le capot de l'unité de commande.



Borne AUX1 du module

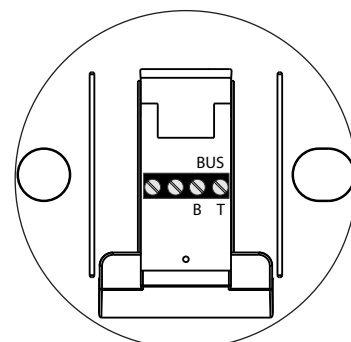
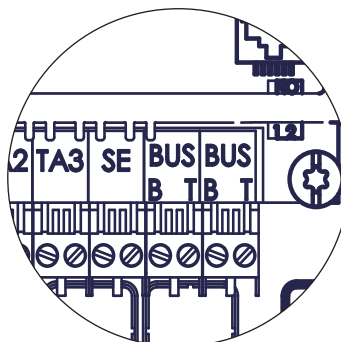
2) Procéder au raccordement électrique entre la borne « TA » (thermostat d'ambiance) de la chaudière et la borne « AUX1 » du module.



Borne Bus du module

Borne de l'interface système

3) Procéder au raccordement électrique entre l'une des deux bornes « BUS » du module et les bornes « B » et « T » de l'interface système.



préparer la chaudière à son utilisation

Programmer le module

Il y a deux possibilités :

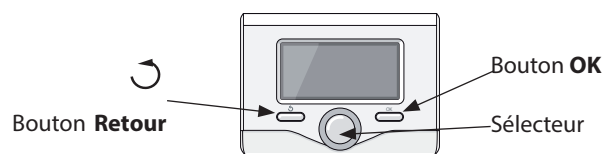
Scénario n°1 : la chaudière est dotée d'une connexion **zone ATAG** ; les configurations sont réalisées depuis la chaudière ou une interface système (option).

Scénario n°2 : le module est indépendant et les zones sont configurées depuis l'interface système fournie en option.


Initialisation

Avant de débiter la procédure, vérifier que tous les circuits sont remplis d'eau et que l'air a été complètement purgé.


Une fois tous les équipements connectés, le système reconnaît les équipements et réalise une initialisation automatique.



Configuration du module depuis la chaudière

- 1) Mettre l'affichage en service en appuyant sur le bouton **OK**.
L'écran est activé.
- 2) Appuyer simultanément sur les boutons  et **OK** de l'interface système et les maintenir enfoncés pendant 5 secondes.
- 3) Appuyer sur le bouton **OK**. Quand **CODE** s'affiche, appuyer sur **OK** ; le code **000** s'affiche.
- 4) Faire tourner le sélecteur vers la droite pour afficher le code **007** et confirmer avec le bouton **OK**.
- 5) Un **MENU** s'affiche à l'écran ; confirmer puis sélectionner menu **7** et confirmer avec le bouton **OK**.
- 6) Sélectionner le sous-menu **72** et confirmer avec le bouton **OK**.
- 7) Sélectionner le sous-menu **720** et confirmer avec le bouton **OK**.
- 8) Sélectionner le paramètre **2** pour le Module II du circuit de chauffage mixte et le paramètre **3** pour le Module III du circuit de chauffage mixte et confirmer avec le bouton **OK** (voir Menu **720** dans le tableau des paramètres).
- 9) Appuyer plusieurs fois sur le bouton **Retour** afin de revenir à l'affichage de la chaudière.

Configuration du module au moyen de l'interface système

- 1) Mettre l'affichage en service en appuyant sur le bouton **OK**.
L'écran est activé.
- 2) Appuyer simultanément sur les boutons  et **OK** de l'interface système et les maintenir enfoncés pendant 5 secondes.
- 3) Avec le sélecteur, afficher le code **234** et confirmer avec le bouton **OK**.
- 4) Faire tourner le bouton dans le sens horaire pour accéder à l'option **MENU**, puis confirmer en appuyant sur le bouton **OK**.
- 5) Chercher le menu **7** « Module multi-zones » au moyen du sélecteur, puis confirmer en appuyant sur le bouton **OK**. Sélectionner le sous-menu **72** « Multi-zones » et confirmer avec le bouton **OK**. Sélectionner le paramètre **720**, puis confirmer en appuyant sur le bouton **OK** et sélectionner le paramètre **2** « Module II du circuit de chauffage mixte » ou le paramètre **3** « Module III du circuit de chauffage mixte » et confirmer en appuyant sur le bouton **OK**.

Purge d'air

La fonction automatique de purge d'air du module est activée par la chaudière uniquement s'il existe une connexion **Zone ATAG** (scénario n° 1).

La fonction de purge d'air est activée en appuyant sur le bouton **Retour** sur la chaudière et en le maintenant enfoncé pendant 5 secondes ou en activant le paramètre **7 0 1**.

Une fois la fonction de purge activée, le module met la pompe en service et hors service. Ainsi, l'air qui se trouve dans le circuit commence à circuler. Vous pouvez activer un nouveau cycle le cas échéant.

Fonction hors gel


Si le capteur de débit détecte une température inférieure à 5°C, la fonction hors gel est activée. Si la fonction hors gel est activée, le module démarre la pompe de circulation. Cela permet d'élargir la fonction hors gel aux zones 1 et 2.

Fonction anti-blocage

Après une période d'inactivité de 24 heures, un cycle anti-blocage est effectué sur la pompe de circulation et la vanne mélangeuse.

préparer la chaudière à son utilisation

Adressage de l'interface système

- 1) Chercher le menu **0** « Réseau » et confirmer avec le bouton **OK**.
Sélectionner le sous-menu **03** « Interface système » et confirmer avec le bouton **OK**.
- 2) Sélectionner le sous-menu **030** « Numéro de zone », puis confirmer avec le bouton **OK** et affecter le code de configuration à l'interface système :
 - 0 aucune zone (l'interface système n'est affectée à aucune zone)puis confirmer en appuyant sur le bouton **OK**.
- 3) Retourner à l'affichage principal en appuyant plusieurs fois sur le bouton 

À ce stade, le module est opérationnel avec les paramètres d'usine.

préparer la chaudière à son utilisation

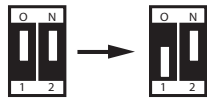
Signification des témoins

| TÉMOIN VERT (gauche) | |
|------------------------------|---|
| Témoin éteint | Hors tension |
| Témoin allumé | Sous tension |
| Témoin clignotant | Sous tension, fonctionnement en mode manuel |
| TÉMOIN VERT (centre) | |
| Témoin éteint | Aucune communication zone ATAG |
| Témoin allumé | Communication zone ATAG présente |
| Témoin clignotant | Initialisation de la communication zone ATAG |
| TÉMOIN ROUGE (droite) | |
| Témoin éteint | Aucune erreur de fonctionnement |
| Témoin allumé | Présence d'une ou plusieurs erreurs de fonctionnement |

Guide de dépannage

Les modules II et III du circuit de chauffage mixte sont protégés contre le risque de panne par des contrôles internes réalisés par la carte électronique qui, le cas échéant, active un arrêt de sécurité.

Le tableau ci-dessous indique les codes d'erreur possibles, leur description et la mesure recommandée dans chaque cas :

| Code d'erreur | Description | Mesure recommandée |
|---------------|---|--|
| 7 0 1 | Erreur du capteur de température d'admission du chauffage de zone 1 | Vérifier la connexion du capteur concerné. Vérifier la continuité du capteur. Remplacer le capteur si nécessaire. |
| 7 0 2 | Erreur du capteur de température d'admission du chauffage de zone 2 | |
| 7 0 3 | Erreur du capteur de température d'admission du chauffage de zone 3 | |
| 7 1 1 | Erreur du capteur de température de retour du chauffage de zone 1 | |
| 7 1 2 | Erreur du capteur de température de retour du chauffage de zone 2 | |
| 7 1 3 | Erreur du capteur de température de retour du chauffage de zone 3 | |
| 7 2 2 | Surchauffe zone 2 | Vérifier la liaison et son branchement à la borne « ST2 » sur le module OU Vérifier le paramètre de température maximale de chauffage pour la zone 2 (paramètre 525). Vérifier le branchement du thermostat de sécurité sur la borne « ST2 » du module. |
| 7 2 3 | Surchauffe zone 3 | Vérifier la liaison et son branchement à la borne « ST3 » sur le module OU Vérifier le paramètre de température maximale de chauffage pour la zone 2 (paramètre 625). Vérifier le branchement du thermostat de sécurité sur la borne « ST3 » du module. |
| 4 2 0 | Surcharge d'alimentation zone ATAG | Une erreur de « Surcharge d'alimentation BUS » peut s'afficher si trois appareils ou plus qui alimentent le BUS en électricité sont connectés au système. Exemple : chaudière + module hydraulique, etc. Pour éviter ce risque, le micro-interrupteur (1) sur la carte électronique de l'un des appareils connectés (par la chaudière) doit être coupé (OFF).  |


régulation thermique

Contrôle de température

Scénario n° 1 : la chaudière est dotée d'une connexion zone ATAG

La chaudière et le module communiquent pour un fonctionnement optimisé. Dans ce scénario, plusieurs types de contrôle de la température sont possibles en fonction de la configuration et des paramètres d'installation. Se reporter au mode d'emploi de la chaudière.

Scénario n° 2 : la chaudière n'est pas dotée d'une connexion zone ATAG

 Dans ce scénario, le module ne peut pas réaliser de contrôle de la température. La température d'admission d'eau pour la zone 1 est définie par les paramètres de la chaudière. Pour la zone 2, le module contrôle alors la vanne mélangeuse motorisée afin de maintenir une température d'admission d'eau fixe, comme le définit le paramètres **502**.

Pour la zone 3, le module contrôle alors la vanne mélangeuse motorisée afin de maintenir une température d'admission d'eau fixe, comme le définit le paramètres **602**.

| menu | sous-menu | paramètre | description | valeur | réglage par défaut | |
|------|---------------------------------------|--------------------------------------|--|--|--------------------|--|
| 0 | RÉSEAU (*) | | | | | |
| 0 | 2 | Bus réseau | | | | |
| 0 | 2 | 0 | Présence réseau | Chaudière Interface système (*) Régulateur solaire Multifonctions Energy Manager Energy Manager hybride Pompe à chaleur Sonde d'ambiance Gestionnaire de zone Modem distant Clip multifonctions Préparateur d'eau chaude sanitaire instantanée Commande de piscine Interface utilisateur maître Commande multi-pièces Chronothermostat eBUS | | |
| 0 | 3 | Interface système | | | | |
| 0 | 3 | 0 | Numéro de zone de chauffage | Aucune zone paramétrée Numéro de zone paramétré | | |
| 0 | 3 | 1 | Correction de la température ambiante | | 0°C | |
| 0 | 3 | 2 | Interface version SW | | | |
| 4 | PARAMÈTRES ZONE DE CHAUFFAGE 1 | | | | | |
| 4 | 0 | Paramètres de température | | | | |
| 4 | 0 | 0 | T jour | | 14°C | |
| 4 | 0 | 1 | T nuit | | 16°C | |
| 4 | 0 | 2 | T paramétrée Z1 | | 55°C | |
| 4 | 0 | 3 | Zone température gel | | | |
| 4 | 2 | Paramètres zone 1 | | | | |
| 4 | 2 | 0 | Plage de température zone 1 | 0 = Basse température 1 = Haute température | | |
| 4 | 2 | 1 | Régulation thermique | 0 = T admission fixe 1 = r.a.s. 2 = T ambiante seulement 3 = T extérieure seulement 4 = T ambiante + extérieure | | |
| 4 | 2 | 2 | Pente (*) | | 1,5 | |
| 4 | 2 | 3 | Décalage (*) | | 0°C | |
| 4 | 2 | 4 | Influence ambiante proportionnelle (*) | | 20°C | |
| 4 | 2 | 5 | T maxi | | 82°C | |
| 4 | 2 | 6 | T mini | | 35°C | |
| 4 | 3 | Diagnostics zone 1 | | | | |
| 4 | 3 | 0 | T ambiante | | | |
| 4 | 3 | 1 | Point de consigne T ambiante | | 14°C | |
| 4 | 3 | 2 | Température de départ | | 21°C | |
| 4 | 3 | 3 | Température retour | | 21°C | |
| 4 | 3 | 4 | Demande de chauffe Z1 | ARRÊT - MARCHÉ | | |
| 4 | 3 | 5 | Statut de la pompe | ARRÊT - MARCHÉ | | |
| 4 | 4 | Paramètres de pompe de zone 1 | | | | |
| 4 | 4 | 0 | Modulation de pompe de zone | 0 = Fixe 1 = Modulation sur DeltaT 2 = Modulation sur pression | | |
| 4 | 4 | 1 | DeltaT cible pour modulation de pompe | | 20°C | |
| 4 | 4 | 2 | Pompe vitesse fixe | | 100 % | |

(*) Ce menu est activé uniquement avec la connexion **zone ATAG**

paramètres

| menu | sous-menu | paramètre | description | valeur | réglage par défaut | |
|----------|------------------------------------|--------------------------------------|--|---|--------------------|--|
| 5 | PARAMÈTRES ZONE CHAUFFAGE 2 | | | | | |
| 5 | 0 | Paramètres de température | | | | |
| 5 | 0 | 0 | T jour | | 12°C | |
| 5 | 0 | 1 | T nuit | | 16°C | |
| 5 | 0 | 2 | T paramétrée Z2 | | 55°C | |
| 5 | 2 | Paramètres zone 2 | | | | |
| 5 | 2 | 0 | Plage de température zone 1 | 0 = Basse température 1 = Haute température | | |
| 5 | 2 | 1 | Régulation thermique | 0 = T admission fixe 1 = r.a.s. 2 = T ambiante seulement 3 = T extérieure seulement 4 = T ambiante + extérieure | | |
| 5 | 2 | 2 | Pente (*) | | 1,5 | |
| 5 | 2 | 3 | Décalage (*) | | 0°C | |
| 5 | 2 | 4 | Influence ambiante proportionnelle (*) | | 20°C | |
| 5 | 2 | 5 | T maxi | | 82°C | |
| 5 | 2 | 6 | T mini | | 35°C | |
| 5 | 3 | Diagnostics zone 2 | | | | |
| 5 | 3 | 0 | T ambiante | | 29°C | |
| 5 | 3 | 1 | Point de consigne T ambiante | | 12°C | |
| 5 | 3 | 2 | Température de départ | | 22°C | |
| 5 | 3 | 3 | Température retour | | 21°C | |
| 5 | 3 | 4 | Demande de chauffe Z2 | OFF ON | | |
| 5 | 3 | 5 | Statut de la pompe | OFF ON | | |
| 5 | 4 | Paramètres de pompe de zone 2 | | | | |
| 5 | 4 | 0 | Modulation de pompe de zone | 0 = Fixe 1 = Modulation sur DeltaT 2 = Modulation sur pression | | |
| 5 | 4 | 1 | DeltaT cible pour modulation de pompe | | 20°C | |
| 5 | 4 | 2 | Pompe vitesse fixe | | 100 % | |
| 6 | PARAMÈTRES ZONE CHAUFFAGE 3 | | | | | |
| 6 | 0 | Paramètres de température | | | | |
| 6 | 0 | 0 | T jour | | 19°C | |
| 6 | 0 | 1 | T nuit | | 16°C | |
| 6 | 0 | 2 | T paramétrée Z3 | | 55°C | |
| 6 | 2 | Paramètres zone 3 | | | | |
| 6 | 2 | 0 | Plage de température zone 3 | 0 = Basse température 1 = Haute température | | |
| 6 | 2 | 1 | Régulation thermique | 0 = T admission fixe 1 = r.a.s. 2 = T ambiante seulement 3 = T extérieure seulement 4 = T ambiante + extérieure | | |
| 6 | 2 | 2 | Pente (*) | | 1,5 | |
| 6 | 2 | 3 | Décalage (*) | | 0°C | |
| 6 | 2 | 4 | Influence ambiante proportionnelle (*) | | 20°C | |
| 6 | 2 | 5 | T maxi | | 82°C | |
| 6 | 2 | 6 | T mini | | 35°C | |

(*) Ce menu est activé uniquement avec la connexion **zone ATAG**

paramètres

| menu | sous-menu | paramètre | description | valeur | réglage par défaut |
|----------|-----------------------|--------------------------------------|---------------------------------------|--|--------------------|
| 6 | 3 | Diagnostics zone 3 | | | |
| 6 | 3 | 0 | T ambiante | | |
| 6 | 3 | 1 | Point de consigne T ambiante | | 19°C |
| 6 | 3 | 2 | Température de départ | | 0°C |
| 6 | 3 | 3 | Température retour | | 0°C |
| 6 | 3 | 4 | Demande de chauffe Z3 | OFF ON | |
| 6 | 3 | 5 | Statut de la pompe | OFF ON | |
| 6 | 4 | Paramètres de pompe de zone 3 | | | |
| 6 | 4 | 0 | Modulation de pompe de zone | 0 = Fixe 1 = Modulation sur DeltaT 2 = Modulation sur pression | |
| 6 | 4 | 1 | DeltaT cible pour modulation de pompe | | 20°C |
| 6 | 4 | 2 | Pompe vitesse fixe | | 100 % |
| 7 | MODULE DE ZONE | | | | |
| 7 | 1 | Mode manuel | | | |
| 7 | 1 | 0 | Activation du mode manuel ZM | 0 = ARRÊT 1 = MARCHÉ | |
| 7 | 1 | 1 | Contrôle de pompe Z1 | 0 = ARRÊT 1 = MARCHÉ | |
| 7 | 1 | 2 | Contrôle de pompe Z2 | 0 = ARRÊT 1 = MARCHÉ | |
| 7 | 1 | 3 | Contrôle de pompe Z3 | 0 = ARRÊT 1 = MARCHÉ | |
| 7 | 1 | 4 | Contrôle de vanne mélangeuse Z2 | 0 = ARRÊT 1 = ouverte 2 = fermée | |
| 7 | 1 | 5 | Contrôle de vanne mélangeuse Z3 | 0 = ARRÊT 1 = ouverte 2 = fermée | |
| 7 | 2 | Module de zone général | | | |
| 7 | 2 | 0 | Définition du schéma hydraulique | 0 = non défini 1 = r.a.s 2 = Module II du circuit de chauffage mixte 3 = Module III du circuit de chauffage mixte 4 = r.a.s 5 = Module II du circuit de chauffage direct 6 = Module III du circuit de chauffage direct | 0 |
| 7 | 2 | 1 | Décalage T admission | | 0°C |
| 7 | 2 | 2 | Paramètre sortie auxiliaire | 0= Demande de chauffe 1 = Pompe externe 2 = Alarme | |
| 7 | 2 | 3 | Correction de la température externe | | |
| 7 | 8 | Historique des erreurs | | | |
| 7 | 8 | 0 | 10 dernières erreurs | | |
| 7 | 8 | 1 | Réinitialiser liste des erreurs | OK = Oui ESC = Non | |
| 7 | 9 | Menu de réinitialisation | | | |
| 7 | 9 | 0 | Réinitialiser les paramètres d'usine | OK = Oui ESC = Non | |

paramètres

| menu | sous-menu | paramètre | description | valeur | réglage par défaut |
|----------|--------------------------|-----------------------------------|--|--|--------------------|
| 8 | Param service (*) | | | | |
| 8 | 1 | Statistiques chaudière (*) | | | |
| 8 | 1 | 0 | Nbre d'heures brûleur en service chauffage central (h10) (*) | | |
| 8 | 1 | 1 | Nbre d'heures brûleur en service ESC (h10) (*) | | |
| 8 | 1 | 2 | Nombre de pannes de flamme (n/10) (*) | | |
| 8 | 1 | 3 | Nombre de cycles d'allumage (n/10) (*) | | |
| 8 | 1 | 4 | Durée de demande de chauffe (*) | | |
| 8 | 1 | 5 | Numéro du système | | |
| 8 | 2 | Chaudière (*) | | | |
| 8 | 2 | 0 | Taux de modulation (*) | | |
| 8 | 2 | 1 | Statut du ventilateur (*) | OFF ON | |
| 8 | 2 | 2 | Vitesse du ventilateur (x100 tr/mn) (*) | | |
| 8 | 2 | 3 | Vitesse de pompe (*) | OFF Vitesse lente Vitesse rapide | |
| 8 | 2 | 4 | Pos vanne de répartition (*) | ECS Chauffage | |
| 8 | 2 | 5 | Débit ECS l/min (*) | | 19 l/min |
| 8 | 2 | 6 | Statut APS | Ouverte Fermée | |
| 8 | 2 | 7 | Modulation de pompe % (*) | | 100 % |
| 8 | 2 | 8 | Alimentation au gaz (*) | | 6 kW |
| 8 | 3 | Température chaudière (*) | | | |
| 8 | 3 | 0 | Température définie chauffage central (*) | | 55°C |
| 8 | 3 | 1 | T admission chauffage central (*) | | 14°C |
| 8 | 3 | 2 | T retour chauffage central (*) | | 23°C |
| 8 | 3 | 3 | T admission ECS (*) | | 59°C |
| 8 | 3 | 5 | T extérieure (*) | | 14°C |

(*) Ce menu est activé uniquement avec la connexion **zone ATAG**

INHALTSVERZEICHNIS

Übersicht

| | |
|-------------------------------|---|
| CE-Kennzeichnung | 2 |
| Sicherheitsvorschriften | 3 |

Beschreibung des Geräts

| | |
|------------------------|---|
| Einleitung | 4 |
| Übersicht | 4 |
| Abmessungen | 5 |
| Technische Daten | 5 |

Installation

| | |
|---|----|
| Vorbereitung der Geräteinstallation | 6 |
| Wandinstallation | 6 |
| Hydraulischer Anschluss | 6 |
| Hydraulikschaltplan | 8 |
| Elektrische Anschlüsse | 8 |
| Außentemperaturfühler | 8 |
| Stromlaufplan | 9 |
| Elektrischer Anschluss | 11 |

Vorbereitung der Kessel-Inbetriebnahme

| | |
|--------------------------------------|----|
| Programmierung des Regelmoduls | 12 |
| Initialisierung 12 | |
| Konfiguration des Regelmoduls | 12 |
| Entlüften | 12 |
| Frostschutzfunktion | 12 |
| Blockierschutzfunktion | 12 |
| Adressierung der Bedieneinheit | 13 |
| Bedeutung der Anzeige-LEDs | 14 |
| Fehlersuche | 14 |

Heizungsregelung

| | |
|--------------------------|----|
| Temperaturregelung | 15 |
|--------------------------|----|

Einstellungen 16**Übersicht**

Diese Betriebsanleitung ist ein integraler und wesentlicher Bestandteil des Geräts. Lesen Sie die Anweisungen und Warnhinweise in dieser Betriebsanleitung gewissenhaft durch, denn sie enthalten wichtige Sicherheitsvorschriften für Installation, Betrieb und Wartung.

Die technischen Beschreibungen und Anweisungen in diesem Dokument sind für Heizungsbaufachbetriebe bestimmt, um das Gerät mit Hilfe von hierfür üblichen Verfahren vorschriftsgemäß installieren zu können.

Das Modul ist für die Regelung von Mehrzonen- bzw. Multitemperatur-Heizungsanlagen ausgelegt. Eine Verwendung des Gerätes für sonstige, hier nicht genannte Einsatzzwecke ist strikt untersagt. Der Hersteller haftet nicht für Schäden, die durch einen unsachgemäßen, falschen oder fahrlässigen Gebrauch des Geräts oder durch die Nichtbeachtung der Anweisungen in dieser Betriebsanleitung verursacht werden. Der Heizungsinstallateur muss zur Installation von Heizungsanlagen befähigt sein und nach Abschluss der Arbeiten dem Kunden einen Einbaunachweis ausstellen.

Installation, Wartung und sämtliche sonstigen Eingriffe müssen stets unter vollständiger Einhaltung der einschlägigen gesetzlichen Vorschriften sowie sämtlicher vom Hersteller erteilten Anweisungen ausgeführt werden.

Eine fehlerhafte Installation kann Verletzungen von Personen und Haustieren sowie Sachschäden zur Folge haben. Der Hersteller haftet nicht für daraus resultierende Schäden.

Falls Komponenten fehlen oder das Gerät defekt ist, wenden Sie sich bitte an Ihren Fachhändler. Bewahren Sie sämtliches Verpackungsmaterial (Klammern, Plastiktüten, Styropor etc.) außerhalb der Reichweite von Kindern auf, da es für Kinder eine Gefährdung darstellen kann. Vor allen Eingriffen am Regelmodul sicherstellen, dass die Stromversorgung ausgeschaltet ist. Alle Reparaturen müssen von Fachpersonal und grundsätzlich mit Original-Ersatzteilen vorgenommen werden. Die Nichtbeachtung der oben genannten Anweisungen kann die Sicherheit des Geräts beeinträchtigen und entbindet den Hersteller von jeglicher Haftung. Vor der Reinigung der Außenflächen des Geräts die Netzstromversorgung ausschalten. Die Reinigung mit einem feuchten Tuch vornehmen. Keine aggressiven Reinigungsmittel oder giftigen Substanzen verwenden.

CE-Kennzeichnung

Die CE-Kennzeichnung garantiert, dass das Gerät die folgenden Richtlinien erfüllt:

- 2004/108/EG über elektromagnetische Verträglichkeit
- 2006/95/EG über elektrische Sicherheit

Übersicht

Sicherheitsvorschriften

Legende der Symbole:

⚠ Bei Nichtbeachtung der Warnhinweise besteht die Gefahr von schweren oder sogar tödlichen Verletzungen.

⚠ Die Nichtbeachtung der Gefahrmeldungen kann zu Geräteschäden und in einigen Fällen zu schweren Schäden an Gegenständen, Pflanzen und Haustieren führen.

Das Gerät an einer stabilen, schwingungsfreien Wand installieren.

⚠ Vermeidung lauter Betriebsgeräusche.

Beim Bohren in die Wand darauf achten, dass keine Stromkabel oder Rohrleitungen beschädigt werden.

⚠ Der Kontakt mit einem spannungsführenden Leiter kann einen Stromschlag verursachen. Aus einer beschädigten Gasleitung austretendes Gas kann Explosionen, Brände oder Vergiftungen verursachen. Beschädigung von vorhandenen Installationen. Wasserschäden durch Wasser, das aus einem beschädigten Wasserrohr ausfließt.

Die elektrischen Anschlüsse müssen mit Kabeln mit einem geeigneten Kabelquerschnitt ausgeführt werden.

⚠ Brand durch Überhitzen, der durch Stromfluss in einem zu gering bemessenen Kabel verursacht wird.

Anschlusskabel entsprechend vor Beschädigungen schützen.

⚠ Der Kontakt mit einem spannungsführenden Leiter kann einen Stromschlag verursachen. Aus einer beschädigten Gasleitung austretendes Gas kann Explosionen, Brände oder Vergiftungen verursachen. Wasserschäden durch Wasser, das aus einem beschädigten Wasserrohr ausfließt.

Prüfen, ob die Komponente und die Anlage, an die das Gerät angeschlossen werden soll, den einschlägigen Vorschriften entsprechen.

⚠ Der Kontakt mit einem fehlerhaft installierten, spannungsführenden Leiter kann einen Stromschlag verursachen. Schäden am Gerät durch ungeeignete Betriebsbedingungen.

Für den Verwendungszweck geeignete Ausrüstungskomponenten und Werkzeuge verwenden (sicherstellen, dass das Werkzeug unbeschädigt ist, der Griff einwandfrei fest sitzt und in gutem Zustand ist), diese Ausrüstung vorschriftsgemäß anwenden, vor unbeabsichtigtem Herunterfallen bewahren und nach dem Gebrauch ordnungsgemäß weglegen.

⚠ Es besteht Verletzungsgefahr durch abgeschleuderte Bruchstücke oder Scherben, Schläge, Schnitte und Stiche sowie Vergiftungsgefahr durch das Einatmen von Stäuben. Schäden am Gerät oder an Gegenständen in dessen Nähe durch abgeschleuderte Bruchstücke, Schnitte oder Kratzer.

Nur geeignete Elektrowerkzeuge verwenden (vor allem prüfen, ob das Kabel und der Netzstecker in einem einwandfreien Zustand und rotierende oder sich anderweitig bewegendes Werkzeuge sicher fixiert sind). Werkzeuge stets vorschriftsgemäß anwenden. Laufwege nicht durch nachgezogene Netzkabel versperren. Netzkabel zum Schutz gegen Stolpern entsprechend sichern. Die Kabel nach dem Gebrauch von der Steckdose abziehen und wegräumen.

⚠ Es besteht Verletzungsgefahr durch abgeschleuderte Bruchstücke oder Scherben, Schläge, Schnitte, Stiche, Abschürfungen, Lärm und Vibrationen sowie Vergiftungsgefahr durch das Einatmen von Stäuben. Schäden am Gerät oder an Gegenständen in dessen Nähe durch abgeschleuderte Bruchstücke, Schnitte oder Kratzer. **Sicherstellen, dass tragbare Leitern stabil und ausreichend robust sind, nicht wegrutschen können und die Sprossen in einem guten Zustand sind. Wenn eine Person auf eine Leiter steigt, muss eine zweite Person anwesend sein und dafür sorgen, dass sich die Leiter nicht bewegen kann.**

⚠ Es besteht Verletzungsgefahr durch Stürze aus erhöhter Position oder Schnitte (Klappleiter).

Sicherstellen, dass Arbeitsbühnen stabil und ausreichend robust sind, dass die Trittstufen rutschfest und in einem guten Zustand sind und dass Aufstieg und Plattform über ihre gesamte Länge mit einem Handlauf ausgestattet sind.

⚠ Es besteht Verletzungsgefahr durch Stürze aus erhöhter Position.

Bei Höhenarbeiten (generell bei Höhenunterschieden von mehr als 2 m) sicherstellen, dass der Arbeitsbereich durch ein Gelände gesichert ist und eine persönliche Schutzausrüstung zur Verhinderung von Stürzen anlegen. Außerdem ist dafür zu sorgen, dass sich im möglichen Absturzbereich keine gefährlichen Objekte befinden und ein eventueller Aufprall durch halbstarre oder verformbare Unterlagen abgefangen wird.

⚠ Es besteht Verletzungsgefahr durch Stürze aus erhöhter Position. **Sicherstellen, dass hinsichtlich Beleuchtung, Luftaustausch, baulicher Festigkeit und Notausgängen die einschlägigen Vorschriften zu Gesundheitsschutz und Arbeitssicherheit erfüllt sind.**

⚠ Es besteht Verletzungsgefahr durch Stöße, Stolpern usw..

Das Gerät und die Umgebung des Arbeitsbereichs durch geeignete Ausrüstung absichern.

⚠ Das Gerät und Gegenstände in seiner Nähe können durch abgeschleuderte Bruchstücke, Schnitte oder Kratzer beschädigt werden.

Das Gerät unter Verwendung der erforderlichen Schutzausrüstung und mit höchster Vorsicht transportieren.

⚠ Schäden am Gerät oder an Gegenständen in seiner Nähe durch Stöße, Schläge, Kratzer oder Quetschen.

Bei den Arbeiten Schutzkleidung und die entsprechende persönliche Schutzausrüstung tragen.

⚠ Es besteht Verletzungsgefahr durch Stromschlag, abgeschleuderte Bruchstücke oder Scherben, Schläge, Schnitte, Stiche, Abschürfungen, Lärm und Vibrationen sowie Vergiftungsgefahr durch das Einatmen von Stäuben.

Die gesamte Ausrüstung unbedingt auf eine Art und Weise ablegen, dass sie einfach und sicher zugänglich ist. Keine Stapel bilden, die zusammenstürzen können.

⚠ Schäden am Gerät oder an Gegenständen in seiner Nähe durch Stöße, Schläge, Kratzer oder Quetschen.

Arbeiten innerhalb des Geräts müssen mit der entsprechenden Vorsicht ausgeführt werden, um ein Berühren scharfkantiger Teile zu vermeiden.

⚠ Es besteht Verletzungsgefahr durch Schnitte, Stiche und Abschürfungen.

Alle Sicherheits- und Steuerungsfunktionen, die für die Arbeiten am Gerät unwirksam gemacht oder anderweitig verändert wurden, müssen vor der Wiederinbetriebnahme des Geräts wieder in ihren ursprünglichen Funktionszustand versetzt werden.

⚠ Explosionen, Brände oder Vergiftung durch Gasleckagen oder eine fehlerhafte Ableitung von Rauchgasen. Beschädigung oder Versagen des Geräts durch unkontrollierte Betriebszustände.

Alle Gerätekomponenten, die heißes Wasser enthalten können, entleeren und vor dem Eingriff entlüften (falls anwendbar).

⚠ Es besteht Verletzungsgefahr durch Verbrennungen.

Die Komponenten entsprechend den Anweisungen im Sicherheitsdatenblatt des verwendeten Produkts entkalken. Dabei für einen guten Luftaustausch im Raum sorgen, die entsprechende Schutzkleidung tragen, keine unterschiedlichen Produkte miteinander vermischen und das Gerät sowie Gegenstände in der Nähe schützen.

⚠ Es besteht Verletzungsgefahr von Haut und Augen, wenn diese in Kontakt mit Säuren kommen oder gesundheitsschädliche chemische Substanzen eingeatmet oder verschluckt werden. Schäden am Gerät oder an Gegenständen in der Nähe aufgrund von Korrosion durch Säuren.

Falls am Gerät ein Brand- oder Rauchgasgeruch wahrgenommen wird, die Stromversorgung unterbrechen, die Fenster öffnen und einen Servicetechniker verständigen.

⚠ Es besteht Verletzungsgefahr durch Verbrennungen sowie Vergiftungsgefahr durch das Einatmen von Rauchgasen. Explosionen, Brand oder Vergiftung.

Einleitung

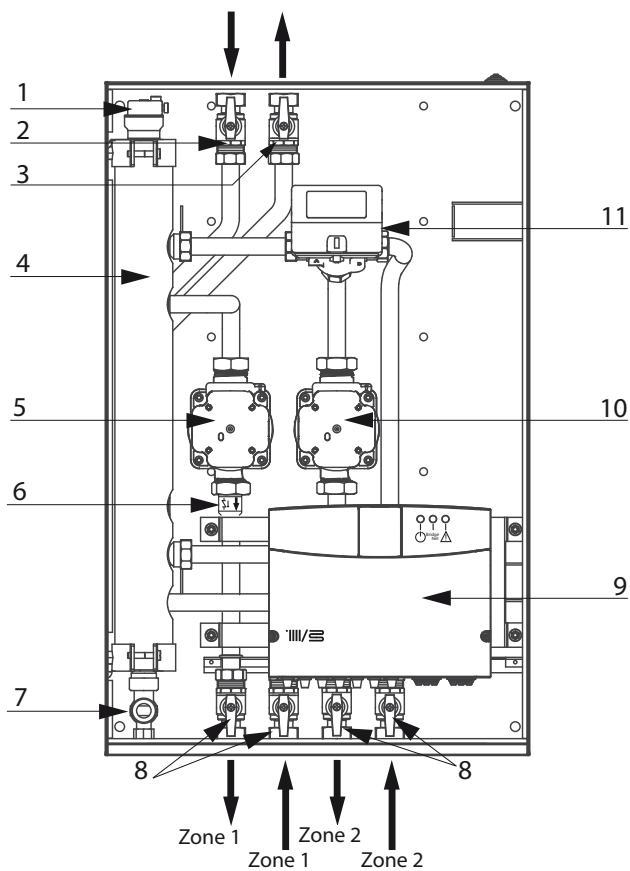
Die Regelmodule II und III für gemischte Heizkreise sind hydraulische Mehrtemperatur-Regelmodule mit einem oder zwei motorischen 3-Wege-Mischventilen und energieeffizient geregelten Pumpen. Es können bis zu drei Heizkreise angeschlossen werden, einschließlich eines ungemischten Kreises (kein Mischventil). Die Mehrtemperatur-Regelmodule sind auf eine hydraulisch vom Kessel unabhängige Installation ausgelegt.

Die Regelmodule II und III für gemischte Heizkreise können in zwei Regelungsarten betrieben werden:

Szenario 1: Der Kessel ist mit einem **ATAG Heizkreisanschluss** ausgestattet. Kessel und Regelmodul kommunizieren zur Optimierung des Wirkungsgrads. Regelmodul und Heizanlage können direkt über das Kessel-Bedienfeld konfiguriert werden.

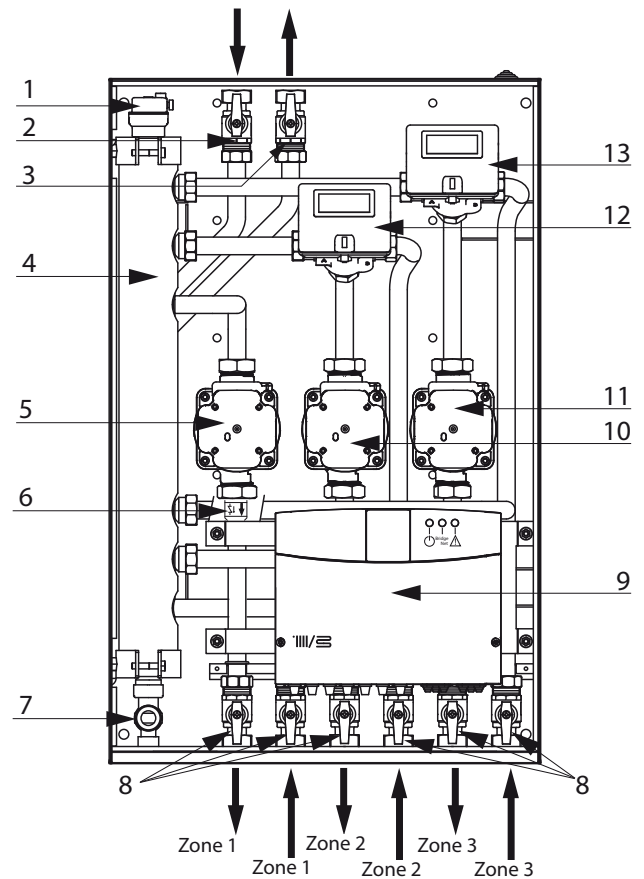
Szenario 2: Der Kessel verfügt nicht über den optionalen **ATAG Heizkreisanschluss**. Bei einer Heizanforderung an das Regelmodul wird das Signal über einen potenzialfreien Kontakt zum Kessel übertragen. Für die Konfiguration von Modul und Heizanlage muss eine Bedieneinheit (Option) verwendet werden.

Übersicht Regelmodul II für gemischte Heizkreise



1. Automatische Entlüftung
2. Kesselvorlauf-Absperrventil
3. Kesselrücklauf-Absperrventil
4. Hydraulische Weiche
5. Zone 1 Umwälzpumpe
6. Zone 1 Rückschlagventil
7. Schlammabscheider-Auslass
8. Zone 1 - 2 Absperrventile
9. Regler
10. Zone 2 Umwälzpumpe
11. Zone 2 Mischventil

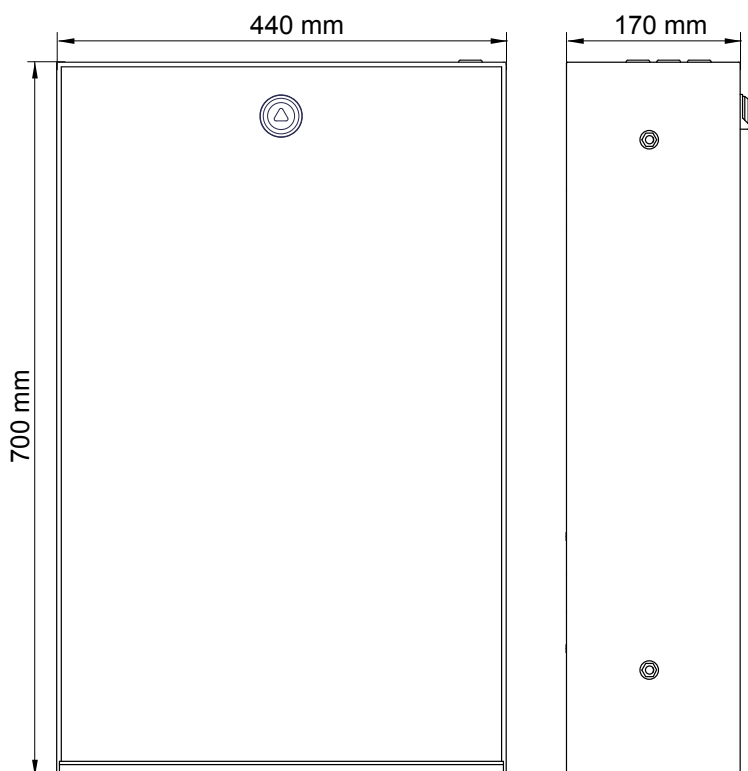
Übersicht Regelmodul III für gemischte Heizkreise



1. Automatische Entlüftung
2. Kesselvorlauf-Absperrventil
3. Kesselrücklauf-Absperrventil
4. Hydraulische Weiche
5. Zone 1 Umwälzpumpe
6. Zone 1 Rückschlagventil
7. Schlammabscheider-Auslass
8. Zone 1 - 2 - 3 Absperrventile
9. Regler
10. Zone 2 Umwälzpumpe
11. Zone 3 Umwälzpumpe
12. Zone 2 Mischventil
13. Zone 3 Mischventil

Beschreibung des Geräts

Abmessungen



Technische Daten

| | | | | |
|-----------------------|--|-------------|--|---|
| ALLGEMEINE ANGABEN | Modellbezeichnung | | Regelmodul II für gemischte Heizkreise | Regelmodul III für gemischte Heizkreise |
| | Konformität | | CE | |
| HEIZKREIS | Betriebsdruck der Heizkreise | bar | 0,5 – 3 | 0,5 – 3 |
| | Max. Betriebstemperatur d. ungemischten Heizkreise | °C | 85 | 85 |
| ELEKTRISCHE KENNDATEN | Anschlussspannung / Anschlussfrequenz | V/Hz | 230/50 | 230/50 |
| | Nennleistungsaufnahme | W | 116 (*) | 174 (*) |
| | Mindest-Anschlussleistung | W | 30 (**) | 45 (**) |
| | Schutzart der elektrischen Anlage | IP | X5D | X5D |
| | Wasserinhalt des Regelmoduls | l | 2,0 | 2,5 |
| | Gewicht des leeren Moduls | kg | 20 | 23 |
| | Abmessungen (B x H x T) | mm | 440 x 700 x 170 | |
| | Hydraulische Anschlüsse | Kesselseite | 3/4"F | 3/4"F |
| Heizkreisseite | | 3/4"F | 3/4"F | 3/4"F |

(*) Die technischen Daten gelten für alle elektrische Geräte mit maximaler Stromaufnahme.

(**) Daten für Pumpe oder Pumpen, die mit Mindestdrehzahl laufen.

Vorbereitung der Geräteinstallation

Um einen unsachgemäßen Gebrauch des Regelmoduls zu verhindern, muss der Installationsort die einschlägigen Betriebstemperaturgrenzwerte erfüllen und gegen flüchtige korrosive Substanzen geschützt sein. Das Regelmodul ist für eine Wandinstallation direkt unterhalb des Kessel ausgelegt. Bei der Befestigung des Moduls darauf achten, dass ausreichend Freiraum vorhanden ist, der auch nach der Installation einen ungehinderten Zugang ermöglicht.

WARNUNG

Beim Bohren in die Wand zu Installationszwecken darauf achten, dass keine Stromkabel oder Rohrleitungen beschädigt werden.

Wandmontage

Zur Positionierung des Regelmoduls eine Wasserwaage verwenden. Zur Befestigung an der Wand die Klappe abnehmen, dazu den beiliegenden dreieckigen Schlüssel verwenden. Das Modul mit Dübeln an der Wand befestigen, die für die bauliche Ausführung der Wand und das Gewicht des Geräts geeignet sind. Die vier Befestigungspunkte befinden sich in den vier Ecken des Regelmoduls.

Hydraulischer Anschluss

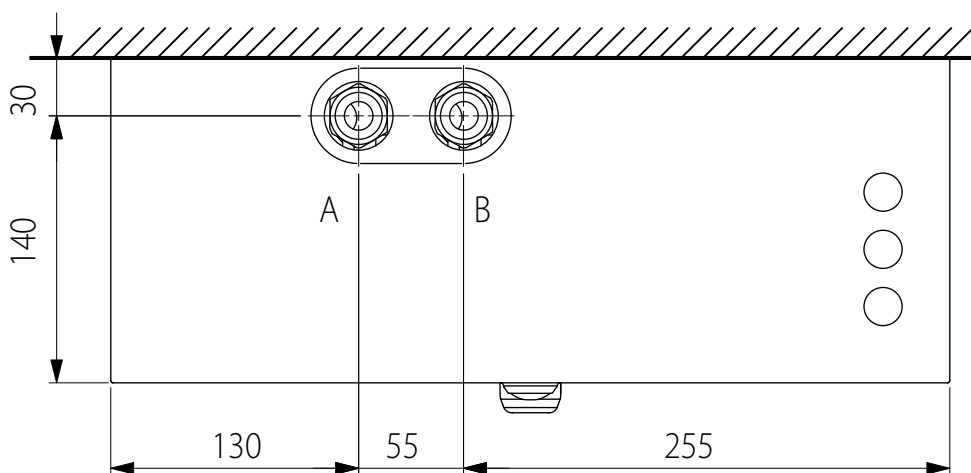
Das Regelmodul muss an eine auf sein Leistungsniveau abgestimmte Heizungsanlage angeschlossen werden.

Vor dem Anschluss des Moduls folgende Arbeitsschritte ausführen:

- Das Leitungssystem der Anlage gründlich durchspülen, um sämtlichen Schmutz zu entfernen, der einen einwandfreien Betrieb der Anlage beeinträchtigen könnte.
- Sicherstellen, dass der Druck im Hauptkreis nicht über 3 bar ansteigen kann.
- Sicherstellen, dass die Vorlauftemperatur nicht mehr als 85 °C beträgt.
- Sicherstellen, dass sämtliche für einen vorschriftsgemäßen Betrieb des Geräts erforderlichen Sicherheits- und Bediengeräte eingebaut sind.
- Sicherstellen, dass das Fassungsvermögen des Ausdehnungsgefäßes auf die Wassermenge in der Anlage abgestimmt ist.

Das Regelmodul ist mit einem Absperrventil ausgestattet, um notwendige Wartungseingriffe leichter ausführen zu können.

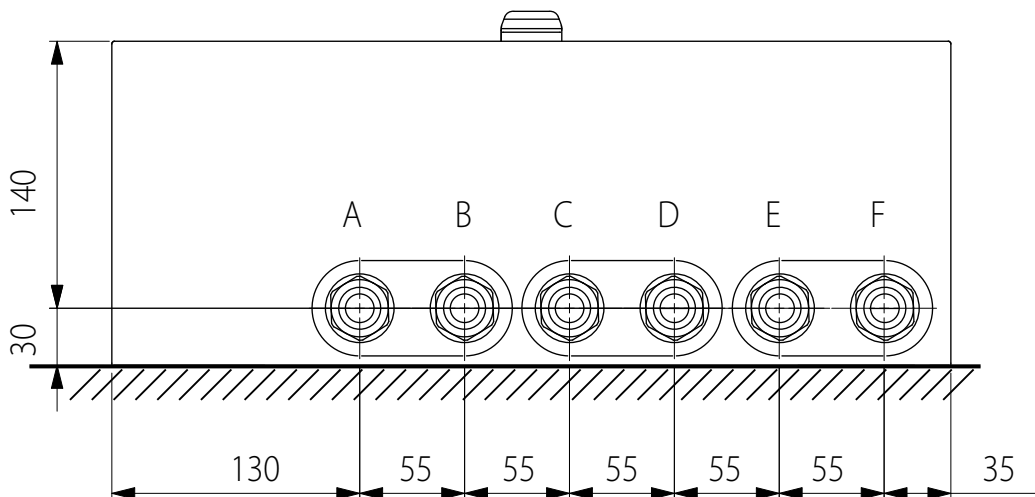
Draufsicht



Legende:

- KESSELSEITE
 A. Kesselvorlauf
 B. Kesselrücklauf

Ansicht von unten



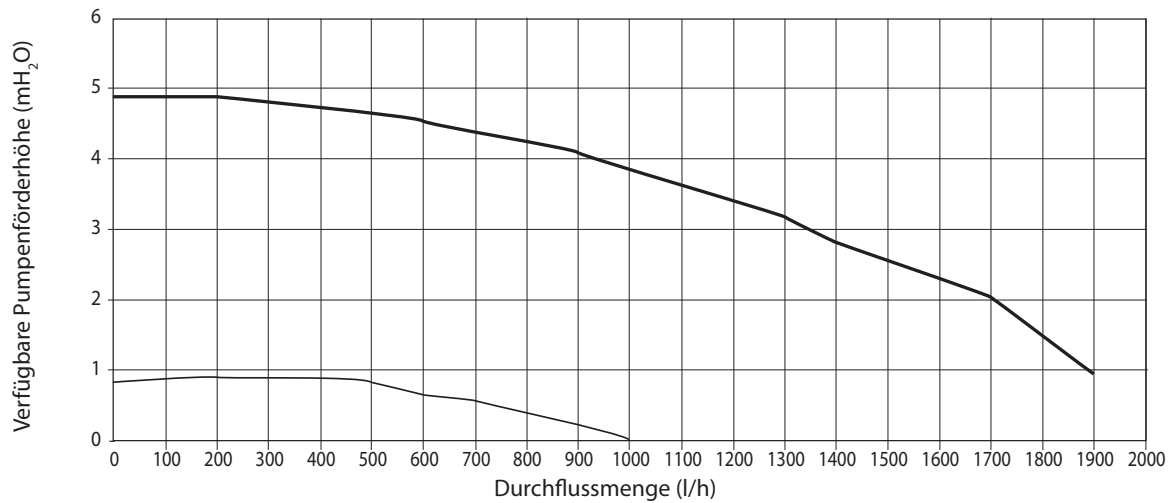
INSTALLATIONSEITE

- A. Zone 1 Vorlauf
 B. Zone 1 Rücklauf
 C. Temperaturgeregelte Zone 2 Vorlauf
 D. Temperaturgeregelte Zone 2 Rücklauf
 E. Temperaturgeregelte Zone 3 Vorlauf
 F. Temperaturgeregelte Zone 3 Rücklauf

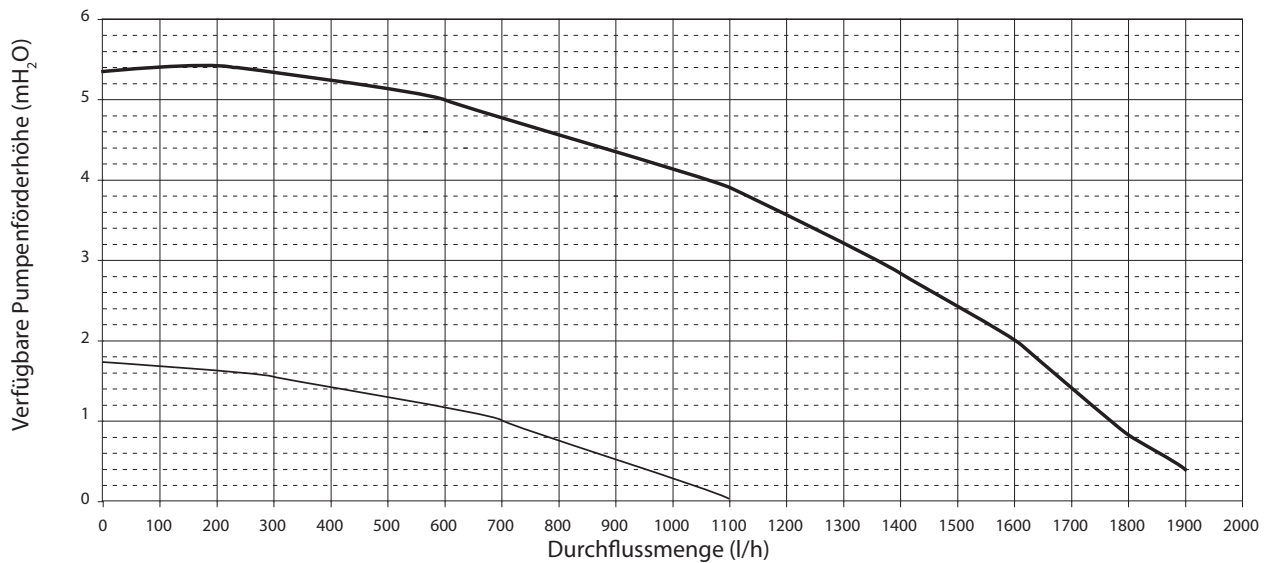
Installation

Detailangaben zur hydraulischen Bemessung der Installation enthalten die nachstehenden Durchfluss/Druck-Kennlinien, die für einen Betrieb der Umwälzpumpe mit Höchst- und Minstdrehzahl angegeben sind.

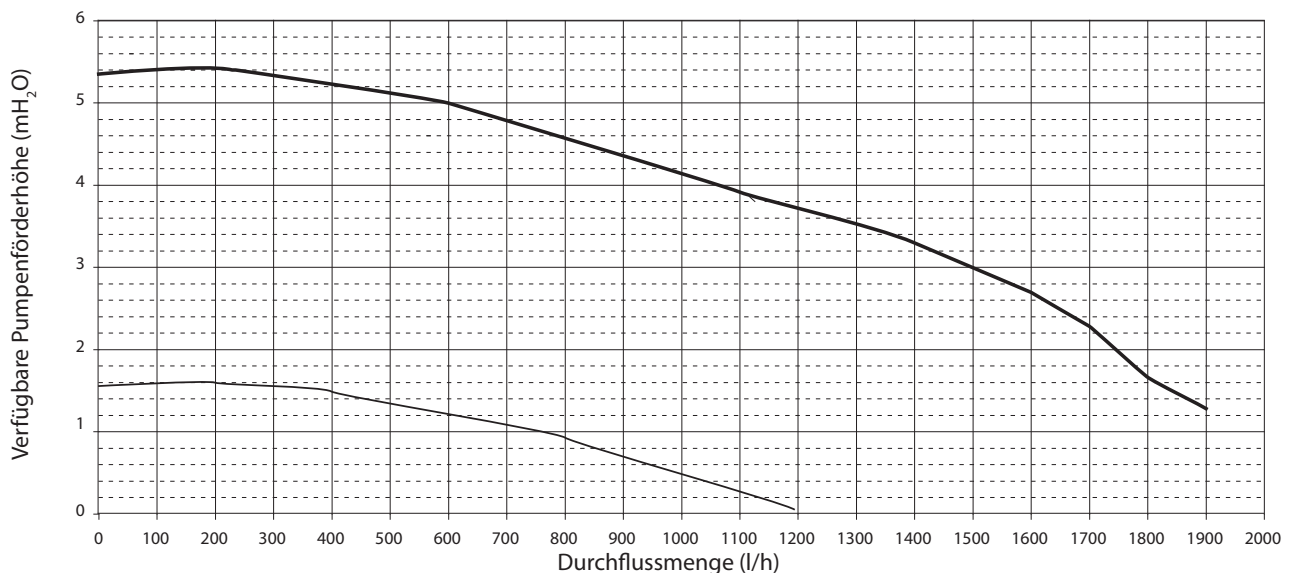
Zone 1 Verfügbare Pumpenförderhöhe



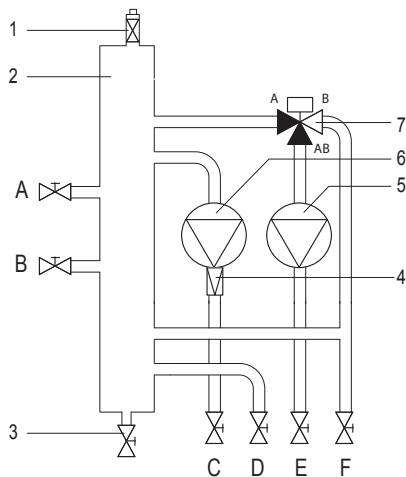
Zone 2 u. 3 Verfügbare Pumpenförderhöhe Mischventil, Hebel in unterer Stellung (A → AB)



Zone 2 u. 3 Verfügbare Pumpenförderhöhe Mischventil, Hebel in oberer Stellung (B → AB)



Hydraulikschaltplan Regelmodul II für gemischte Heizkreise



Legende

1. Automatische Entlüftung
2. Hydraulische Weiche
3. Schlammabscheider-Auslass
4. Zone 1 Rückschlagventil
5. Zone 2 Umwälzpumpe
6. Zone 1 Umwälzpumpe
7. Zone 2 Mischventil

- A. Kesselvorlauf
 B. Kesselrücklauf
 C. Zone 1 Vorlauf
 D. Rücklauf Zone 1
 E. Temperaturregelte Zone 2 Vorlauf
 F. Temperaturregelte Zone 2 Rücklauf

WARNUNG

Vor allen Arbeiten am Kessel immer erst den Kessel vom Stromnetz trennen.

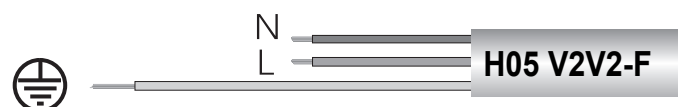
Elektrische Anschlüsse

Zur Sicherheit die gesamte elektrische Anlage von einem Elektrofachmann überprüfen lassen.

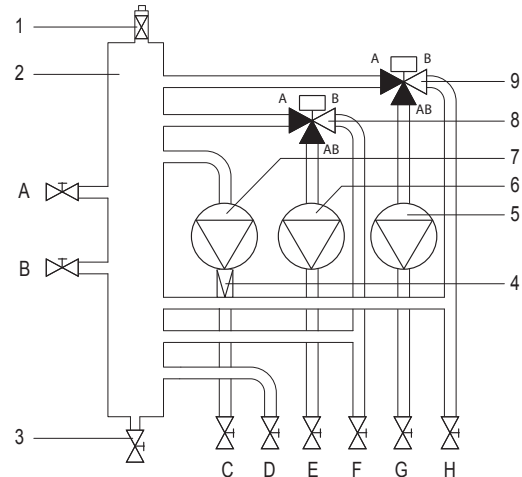
Der Hersteller haftet nicht für Schäden, die durch das Fehlen eines geeigneten Erdungssystems oder durch Störungen der Netzstromversorgung verursacht werden. Sicherstellen, dass die elektrische Anlage die vom Regelmodul benötigte Höchstleistung bereitstellen kann (siehe die Angaben auf dem Geräteschild). Sicherstellen, dass der Querschnitt der Kabel geeignet ist und nicht weniger als 1,5 mm² beträgt.

Für einen sicheren Betrieb muss die Ausrüstung an eine Erdungsanlage angeschlossen werden.

Das Stromversorgungskabel muss an ein Stromnetz mit 230 V - 50 Hz angeschlossen werden, dabei auf den korrekten Anschluss der Pole L-N und der Erdung achten.



Hydraulikschaltplan Regelmodul III für gemischte Heizkreise



Legende

1. Automatische Entlüftung
2. Hydraulische Weiche
3. Schlammabscheider-Auslass
4. Zone 1 Rückschlagventil
5. Zone 3 Umwälzpumpe
6. Zone 2 Umwälzpumpe
7. Zone 1 Umwälzpumpe
8. Zone 2 Mischventil
9. Zone 3 Mischventil

- A. Kesselvorlauf
 B. Kesselrücklauf
 C. Zone 1 Vorlauf
 D. Zone 1 Rücklauf
 E. Temperaturregelte Zone 2 Vorlauf
 F. Temperaturregelte Zone 2 Rücklauf
 G. Temperaturregelte Zone 3 Vorlauf
 H. Temperaturregelte Zone 3 Rücklauf

Für Niedertemperaturanlagen im Fußboden für Heizzone 2 und 3 ein Sicherheitsthermostat für Fußbodenheizung einbauen.

Der elektrische Anschluss erfolgt an den Klemmenleisten ST2 und ST3 des Regelmoduls.

Außentemperaturfühler

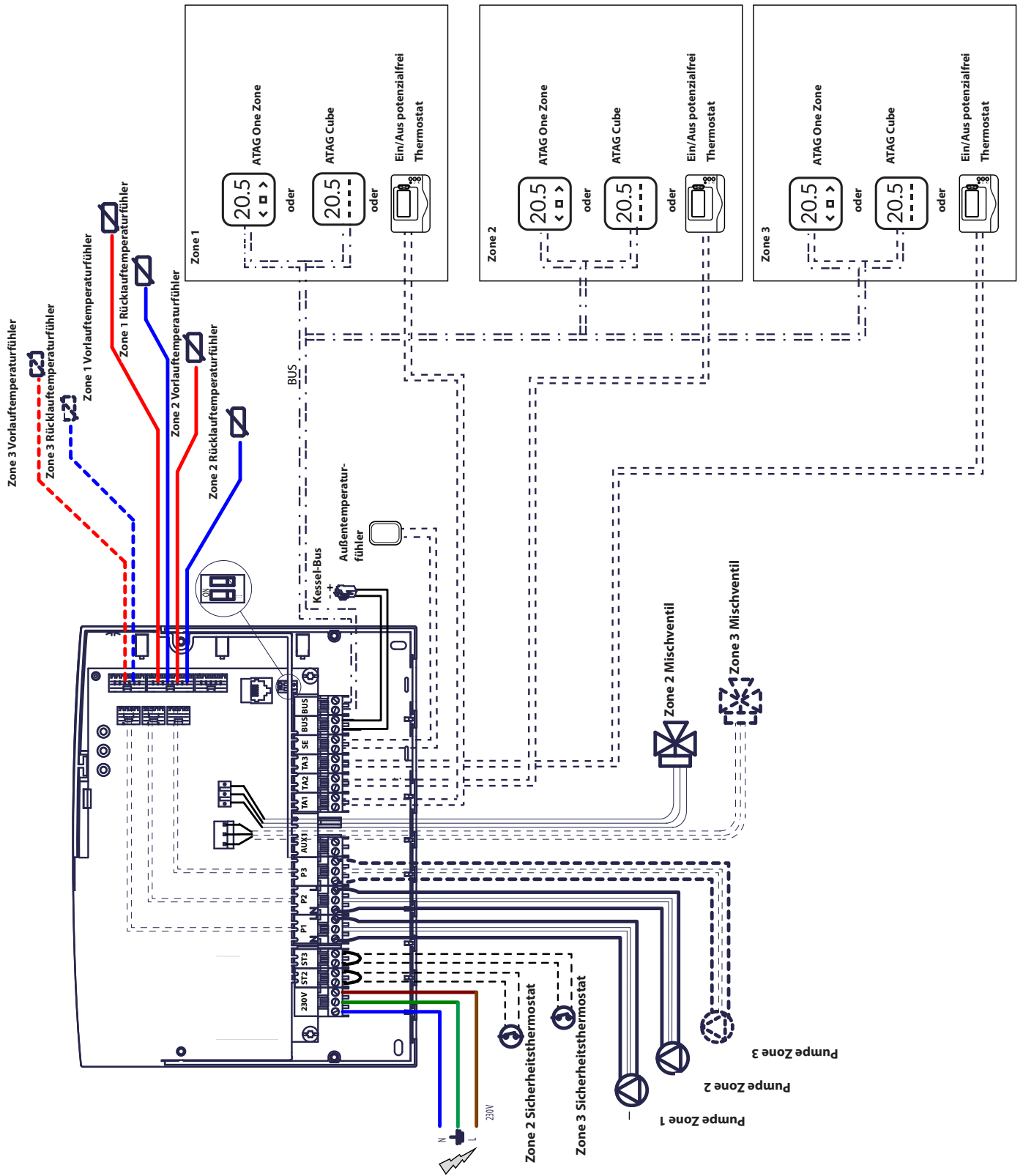
An die Klemmenleiste „SE“ des Moduls kann ein Außentemperaturfühler angeschlossen werden. Dieser kann zur Anzeige der Außentemperatur oder zur Temperaturregelung verwendet werden, wenn:

- das Regelmodul über den **ATAG Heizkreisanschluss** (Szenario 1) an den Kessel angeschlossen ist.

Bei diesem Szenario übersteuert der an das Regelmodul angeschlossene Außentemperaturfühler den Fühler, der eventuell an den Kessel angeschlossen ist.

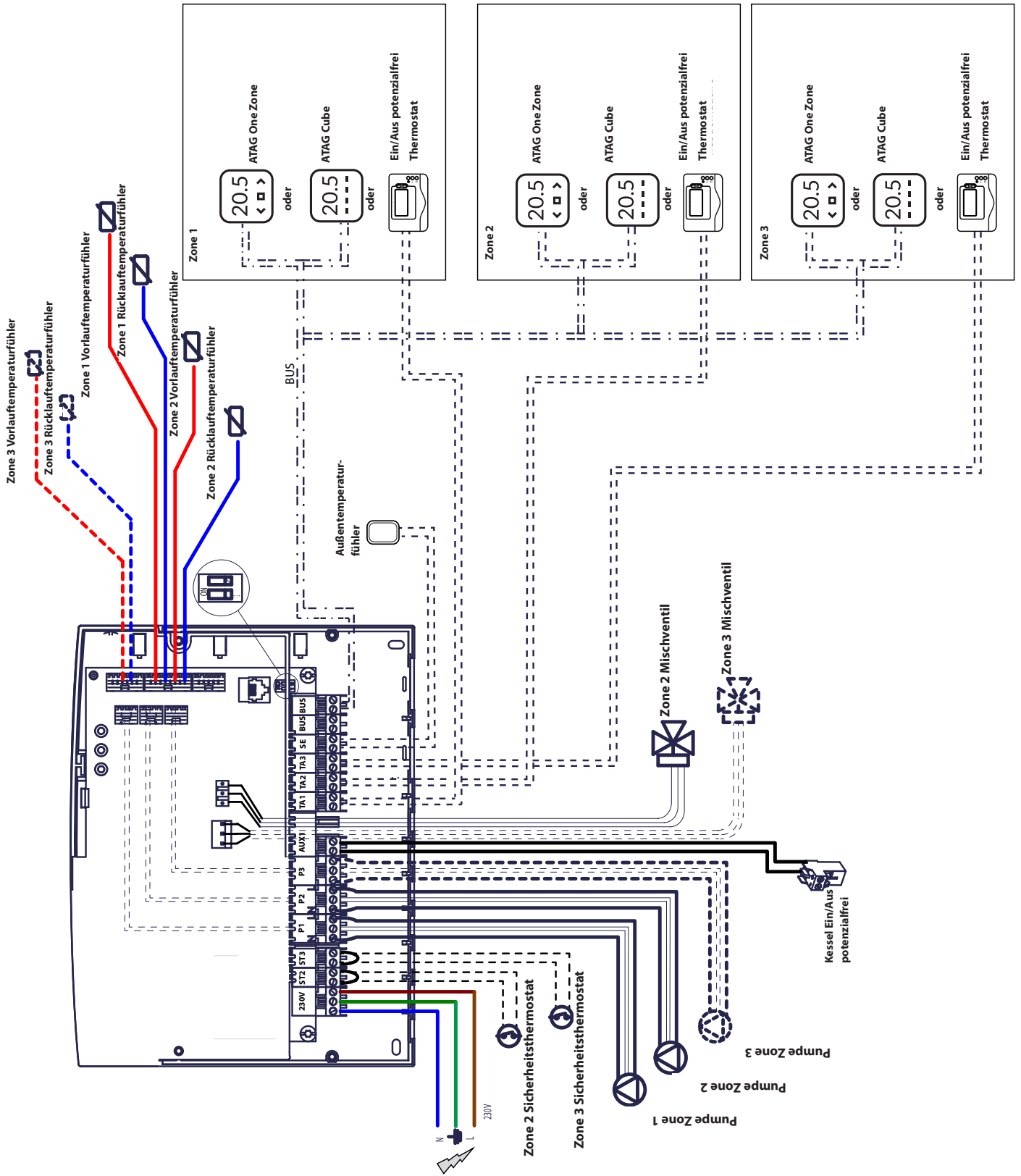
Installation

Stromlaufplan 1: Anschluss an den Kessel mit einem ATAG Heizkreisanschluss. Das Regelmodul wird über den Kessel oder mit Hilfe einer Bedieneinheit konfiguriert



Stromlaufplan 2: Anschluss an alle Kesseltypen.

⚠ Für diese Konfiguration ist mindestens eine Bedieneinheit erforderlich.



Installation

Elektrischer Anschluss der Module II und III für gemischte Heizkreise

WARNUNG

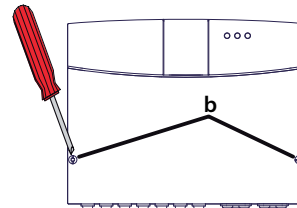
Vor allen Arbeiten immer erst die Stromversorgung unterbrechen.

Szenario 1:

Der Kessel ist mit einem **ATAG Heizkreisanschluss** ausgestattet.

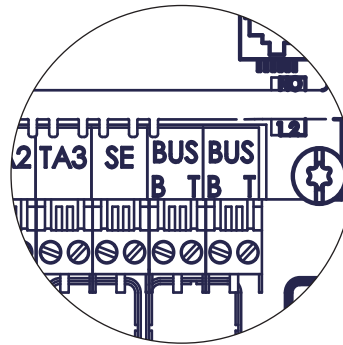
- 1) Zugang zum Anschlussklemmenblock für Kessel-Peripheriegeräte:
 - Die Verkleidung des Kessels abnehmen.
 - Den Regler nach vorn kippen.

- 2) Zugang zum Anschlussklemmenblock für Modul-Peripheriegeräte:
 - Die Verkleidung des Moduls abnehmen.
 - Die zwei Schrauben (**b**) lösen und die Abdeckung des Reglers abnehmen.



Bus-Klemmenleiste des Regelmoduls

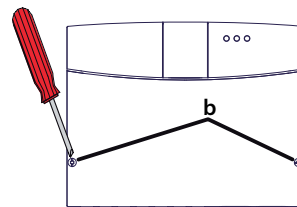
- 3) Die elektrischen Anschlüsse zwischen der „BUS“-Klemmenleiste am Kessel (B und T) und eine der zwei „BUS“-Klemmenleisten am Regelmodul (B und T) ausführen.



Szenario 2:

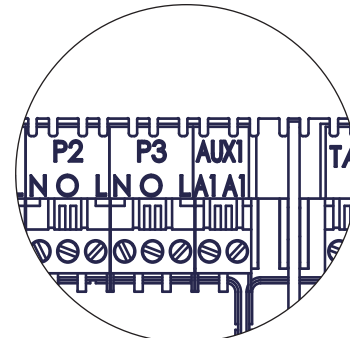
Der Kessel hat keinen **ATAG Heizkreisanschluss**.

- 1) Zugang zum Anschlussklemmenblock für Modul-Peripheriegeräte:
 - Die Verkleidung des Moduls abnehmen.
 - Die zwei Schrauben (**b**) lösen und die Abdeckung des Reglers abnehmen.



Klemmenleiste AUX1 des Reglers

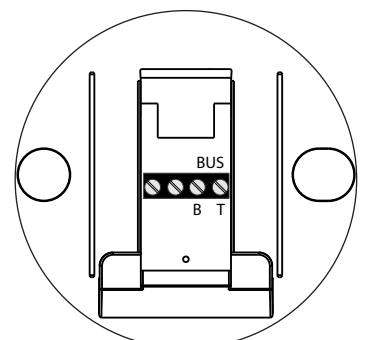
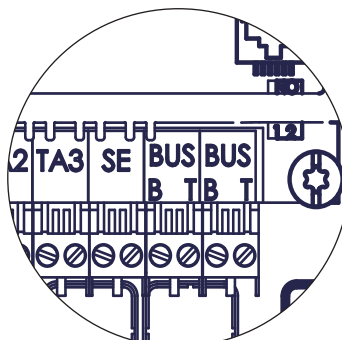
- 2) Den elektrischen Anschluss zwischen der Klemmenleiste „TA“ (Raumthermostat) am Kessel und der Klemmenleiste „AUX1“ am Regelmodul ausführen.



Bus-Klemmenleiste des Regelmoduls

Die Klemmenleiste der Bedieneinheit

- 3) Den elektrischen Anschluss zwischen einer der zwei „BUS“-Klemmenleisten am Regelmodul und der Klemmenleiste „B“ und „T“ der Bedieneinheit ausführen.



Vorbereitung der Kessel-Inbetriebnahme

Programmierung des Regelmoduls

Es gibt zwei Optionen:

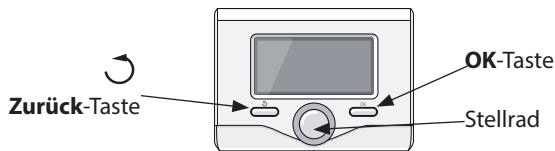
Szenario 1: Der Kessel hat einen **ATAG Heizkreisanschluss**; die Konfigurationen erfolgt über den Kessel oder eine Bedieneinheit (Option).

Szenario 2: Das Regelmodul ist unabhängig und die Heizzonen werden über die als Option bereitgestellte Bedieneinheit konfiguriert.


Initialisierung

Vor dem Start der Prozedur prüfen, ob alle Heizkreise mit Wasser gefüllt und entlüftet wurden.


Sobald die gesamte Ausrüstung angeschlossen ist, erkennt das System die Ausrüstung und führt automatisch die Initialisierung durch.



Konfiguration des Regelmoduls über den Kessel

- 1) Schalten Sie das Display ein, indem Sie die **OK-Taste** drücken. Der Bildschirm ist aktiviert.
- 2) Drücken Sie gleichzeitig die  und **OK-Taste** der Bedieneinheit und halten Sie sie 5 Sekunden lang gedrückt.
- 3) Drücken Sie die **OK-Taste**. Wenn die Angabe CODE angezeigt wird, drücken Sie auf **OK**. Es erscheint der Code **000**.
- 4) Drehen Sie das Stellrad nach rechts, bis der Code **007** angezeigt wird, und bestätigen Sie die Auswahl mit der **OK-Taste**.
- 5) Auf dem Bildschirm wird die Angabe MENU angezeigt. Bestätigen Sie die Auswahl, wählen Sie dann Menü **7** und bestätigen Sie die Auswahl mit der **OK-Taste**.
- 6) Wählen Sie Untermenü **72** und bestätigen Sie die Auswahl mit der **OK-Taste**.
- 7) Wählen Sie Untermenü **720** und bestätigen Sie die Auswahl mit der **OK-Taste**.
- 8) Wählen Sie Parameter **2** für Regelmodul II für gemischte Heizkreise bzw. Parameter **3** für Regelmodul III für gemischte Heizkreise und bestätigen Sie die Auswahl mit der **OK-Taste** (siehe Menü **720** in der Einstellungstabelle).
- 9) Drücken Sie mehrfach auf die **Zurück-Taste**, um zur Kesselanzeige zurückzugehen.

Konfiguration des Regelmoduls über die Bedieneinheit

- 1) Schalten Sie das Display ein, indem Sie die **OK-Taste** drücken. Der Bildschirm ist aktiviert.
- 2) Drücken Sie gleichzeitig die  und **OK-Taste** der Bedieneinheit und halten Sie sie 5 Sekunden lang gedrückt.
- 3) Drehen Sie das Stellrad, bis der Code **234** angezeigt wird, und bestätigen Sie die Auswahl mit der **OK-Taste**.
- 4) Drehen Sie die Taste im Uhrzeigersinn, um die Option **MENU** aufzurufen und bestätigen Sie die Auswahl mit der **OK-Taste**.
- 5) Suchen Sie das Menü **7** „Mehrzonen-Regelmodul“ mit dem Stellrad und bestätigen Sie die Auswahl mit der **OK-Taste**. Wählen Sie das Untermenü **72** „Multizone“ und bestätigen Sie die Auswahl mit der **OK-Taste**. Wählen Sie Parameter **720**, bestätigen Sie die Auswahl mit der **OK-Taste** und wählen Sie Regelmodul II für gemischte Heizkreise Parameter **2** bzw. Regelmodul II für gemischte Heizkreise Parameter **3**. Bestätigen Sie die Auswahl abschließende mit der **OK-Taste**.

Entlüften

Die automatische Entlüften-Funktion des Moduls wird nur durch den Kessel aktiviert, wenn ein **ATAG Heizkreisanschluss** (Szenario 1) vorhanden ist.

Die Entlüften-Funktion rufen Sie durch anhaltendes Drücken der **Zurück-Taste** am Kessel für 5 Sekunden Dauer oder durch die Aktivierung von Parameter **7 0 1** auf.

Wenn die Entlüften-Funktion aktiviert ist, schaltet das Regelmodul die Pumpe ein und aus. Dies bewirkt, dass die in den Kreislauf eingeschlossene Luft zirkuliert. Bei Bedarf kann ein erneuter Zyklus aktiviert werden.

Frostschutzfunktion

Wenn der Durchflusssensor eine Temperatur von weniger als 5 °C erfasst, wird die Frostschutzfunktion aktiviert. Wenn die Frostschutzfunktion aktiviert ist, schaltet das Regelmodul die Umwälzpumpe ein. Dies ermöglicht, den Frostschutz auf die Heizzonen 1 und 2 auszuweiten.

Blockierschutzfunktion


Nach einem Stillstand von jeweils 24 Stunden wird von Umwälzpumpe und Mischventil ein Blockierschutz-Zyklus ausgeführt.

Vorbereitung der Kessel-Inbetriebnahme

Adressierung der Bedieneinheit

- 1) Suchen Sie das Menü **0** „Network“ und bestätigen Sie die Auswahl mit der **OK**-Taste. Wählen Sie Untermenü **03** „Interface system“ und bestätigen Sie die Auswahl mit der **OK**-Taste.
- 2) Wählen Sie Untermenü **030** „Zone number“, bestätigen Sie die Auswahl mit der **OK**-Taste und weisen Sie der Bedieneinheit den Konfigurationscode zu:
 - 0 no setting zone (die Bedieneinheit ist keiner Zone zugeordnet)

Bestätigen Sie die Auswahl mit der **OK**-Taste.

- 3) Gehen Sie zur Hauptseite zurück, indem Sie mehrfach die -Taste drücken.

Hiernach ist das Regelmodul auf die Werksparameter gesetzt und betriebsbereit.


Bedeutung der Anzeige-LEDs

| | |
|---------------------------|---|
| GRÜNE LED (links) | |
| Anzeigeleuchte Aus | Stromversorgung AUS |
| Anzeigeleuchte Ein | Stromversorgung EIN |
| Anzeigeleuchte blinkt | Stromversorgung EIN, Betrieb im Manuellmodus |
| GRÜNE LED (mittig) | |
| Anzeigeleuchte Aus | Keine ATAG-Zonenkommunikation |
| Anzeigeleuchte Ein | ATAG-Zonenkommunikation vorhanden |
| Anzeigeleuchte blinkt | ATAG-Zonenkommunikation Initialisierung |
| ROTE LED (rechts) | |
| Anzeigeleuchte Aus | Keine Funktionsstörungen |
| Anzeigeleuchte Ein | Anstehen einer oder mehrerer Funktionsstörungen |

Fehlersuche

Die Regelmodule II und III für gemischte Heizkreise sind durch eine Selbstdiagnosefunktion der Platine gegen Ausfälle geschützt, die bei Bedarf eine Sicherheitsabschaltung auslöst.

In der folgenden Tabelle sind mögliche Fehlercodes, deren Beschreibungen und die jeweils empfohlene Abhilfemaßnahme angegeben:

| Fehlercode | Beschreibung | Empfohlene Maßnahme |
|------------|---|--|
| 7 0 1 | Zone 1 Vorlauftemperaturfühler der Heizanlage defekt | Den Anschluss des betreffenden Fühlers überprüfen. Den Fühler auf Stromdurchgang prüfen. Den Fühler bei Bedarf ersetzen. |
| 7 0 2 | Zone 2 Vorlauftemperaturfühler der Heizanlage defekt | |
| 7 0 3 | Zone 3 Vorlauftemperaturfühler der Heizanlage defekt | |
| 7 1 1 | Zone 1 Rücklauftemperaturfühler der Heizanlage defekt | |
| 7 1 2 | Zone 2 Rücklauftemperaturfühler der Heizanlage defekt | |
| 7 1 3 | Zone 3 Rücklauftemperaturfühler der Heizanlage defekt | |
| 7 2 2 | Zone 2 Überhitzen | Den Strang und seinen Anschluss an die Klemmenleiste „ST2“ des Regelmoduls überprüfen. ODER Die Höchsttemperatureinstellung der Heizung für Zone 2 (Parameter 525) überprüfen. Den Anschluss des Sicherheitsthermostats an die Klemmenleiste „ST2“ des Regelmoduls überprüfen. |
| 7 2 3 | Zone 3 Überhitzen | Den Strang und seinen Anschluss an die Klemmenleiste „ST3“ des Regelmoduls überprüfen. ODER Die Höchsttemperatureinstellung der Heizung für Zone 2 (Parameter 625) überprüfen. Den Anschluss des Sicherheitsthermostats an die Klemmenleiste „ST3“ des Regelmoduls überprüfen. |
| 4 2 0 | ATAG Zonen-Stromversorgung Überlast | Wenn drei oder mehr Geräte an den Systembus angeschlossen sind und diesen mit Strom versorgen, kann der Fehler „BUS Stromversorgung Überlast“ auftreten. Zum Beispiel: Kessel + hydraulisches Modul, usw.. Um dieses Risiko auszuschließen, muss der Mikroschalter (1) auf der Elektronikplatine eines der angeschlossenen Geräte (nicht der Kessel) von EIN auf AUS geschaltet werden.  |


Heizungsregelung

Temperaturregelung

Szenario 1: Der Kessel ist mit einem ATAG Heizkreisanschluss ausgestattet.

Kessel und Regelmodul kommunizieren zur Optimierung des Betriebs. Bei diesem Szenario sind je nach Konfiguration und der Parametrierung der Installation verschiedene Arten der Temperaturregelung möglich. Siehe hierzu die Betriebsanleitung des Kessels.

Szenario 2: Der Kessel verfügt nicht über einen ATAG Heizkreisanschluss

 Bei diesem Szenario kann das Regelmodul nicht die Temperaturregelung übernehmen. Die Wasser-Vorlauftemperatur für Zone 1 wird durch die Kesseleinstellung definiert. Für Zone 2 regelt das Modul dann das motorische Mischventil, um eine feste, durch Parameter **502** definierte Wasser-Vorlauftemperatur konstant zu halten.

Für Zone 3 regelt das Modul dann das motorische Mischventil, um eine feste, durch Parameter **602** definierte Wasser-Vorlauftemperatur konstant zu halten.

Einstellungen

| Menü | Untermenü | Parameter | Beschreibung | Wert | Standardeinstellung | |
|------|-----------------------------|--------------------------------|--------------------------------------|--|---------------------|--|
| 0 | NETZWERK (*) | | | | | |
| 0 | 2 | Bus-Netzwerk | | | | |
| 0 | 2 | 0 | Netzwerk vorhanden | Kessel Bedieneinheit (*) Solarregler Multifunktion Energiemanager Hybrid-Energiemanager Wärmepumpe Raumtemperaturfühler Zonenmanager Remote Modem Multifunktions-Clip Warmwasserbehälter Swimming Pool Steuerung Master Benutzerschnittstelle Mehrraumregelung eBUS Cronothermostat | | |
| 0 | 3 | Bedieneinheit | | | | |
| 0 | 3 | 0 | Zonenummer der Heizanlage | Keine Zone eingestellt Nummer der eingestellten Zone | | |
| 0 | 3 | 1 | Raumtemperaturkorrektur | | 0 °C | |
| 0 | 3 | 2 | Softwareversion der Bedieneinheit | | | |
| 4 | PARAMETER HEIZZONE 1 | | | | | |
| 4 | 0 | Temperatureinstellungen | | | | |
| 4 | 0 | 0 | Temp. Tag | | 14 °C | |
| 4 | 0 | 1 | Temp. Nacht | | 16 °C | |
| 4 | 0 | 2 | Temperatursollwert Z1 | | 55 °C | |
| 4 | 0 | 3 | Einfriertemperatur der Zone | | | |
| 4 | 2 | Zone 1 Einstellungen | | | | |
| 4 | 2 | 0 | Zone 1 Temperaturbereich | 0 = Niedrige Temperatur 1 = Hohe Temperatur | | |
| 4 | 2 | 1 | Heizungsregelung | 0 = Feste Vorlauftemp 1 = n. v. 2 = Nur Raumtemp 3 = Nur Außentemp 4 = Raum- + Außentemp | | |
| 4 | 2 | 2 | Rampe (*) | | 1,5 | |
| 4 | 2 | 3 | Offset (*) | | 0 °C | |
| 4 | 2 | 4 | Proportionaler Raumeinfluss (*) | | 20 °C | |
| 4 | 2 | 5 | Max T | | 82 °C | |
| 4 | 2 | 6 | Min T | | 35 °C | |
| 4 | 3 | Zone 1 Diagnose | | | | |
| 4 | 3 | 0 | Raum T | | | |
| 4 | 3 | 1 | Raum T Sollwert | | 14 °C | |
| 4 | 3 | 2 | Vorlauftemperatur | | 21 °C | |
| 4 | 3 | 3 | Rücklauftemperatur | | 21 °C | |
| 4 | 3 | 4 | Heizanforderung Z1 | AUS/EIN | | |
| 4 | 3 | 5 | Pumpenstatus | AUS/EIN | | |
| 4 | 4 | Zone 1 Pumpenparameter | | | | |
| 4 | 4 | 0 | Pumpenmodulation der Zone | 0 = Festwert 1 = DeltaT-Modulation 2 = Druck-Modulation | | |
| 4 | 4 | 1 | DeltaT-Sollwert für Pumpenmodulation | | 20 °C | |
| 4 | 4 | 2 | Feste Pumpendrehzahl | | 100% | |

(*) Dieses Menü wird nur in Verbindung mit dem **ATAG Heizkreisanschluss** aktiviert.

Einstellungen

| Menü | Untermenü | Parameter | Beschreibung | Wert | Standardeinstellung | |
|------|-----------------------------|--------------------------------|--------------------------------------|--|---------------------|--|
| 5 | PARAMETER HEIZZONE 2 | | | | | |
| 5 | 0 | Temperatureinstellungen | | | | |
| 5 | 0 | 0 | Temp. Tag | | 12 °C | |
| 5 | 0 | 1 | Temp. Nacht | | 16 °C | |
| 5 | 0 | 2 | T Sollwert Z2 | | 55 °C | |
| 5 | 2 | Zone 2 Einstellungen | | | | |
| 5 | 2 | 0 | Zone 1 Temperaturbereich | 0 = Niedrige Temperatur 1 = Hohe Temperatur | | |
| 5 | 2 | 1 | Heizungsregelung | 0 = Feste Vorlauftemp 1 = n. v. 2 = Nur Raumtemp 3 = Nur Außentemp 4 = Raum- + Außentemp | | |
| 5 | 2 | 2 | Rampe (*) | | 1,5 | |
| 5 | 2 | 3 | Offset (*) | | 0 °C | |
| 5 | 2 | 4 | Proportionaler Raumeinfluss (*) | | 20 °C | |
| 5 | 2 | 5 | Max T | | 82 °C | |
| 5 | 2 | 6 | Min T | | 35 °C | |
| 5 | 3 | Zone 2 Diagnose | | | | |
| 5 | 3 | 0 | Raum T | | 29 °C | |
| 5 | 3 | 1 | Raum T Sollwert | | 12 °C | |
| 5 | 3 | 2 | Vorlauftemperatur | | 22 °C | |
| 5 | 3 | 3 | Rücklauftemperatur | | 21 °C | |
| 5 | 3 | 4 | Heizanforderung Z2 | AUS EIN | | |
| 5 | 3 | 5 | Pumpenstatus | AUS EIN | | |
| 5 | 4 | Zone 2 Pumpenparameter | | | | |
| 5 | 4 | 0 | Pumpenmodulation der Zone | 0 = Festwert 1 = DeltaT-Modulation 2 = Druck-Modulation | | |
| 5 | 4 | 1 | DeltaT-Sollwert für Pumpenmodulation | | 20 °C | |
| 5 | 4 | 2 | Feste Pumpendrehzahl | | 100% | |
| 6 | PARAMETER HEIZZONE 3 | | | | | |
| 6 | 0 | Temperatureinstellungen | | | | |
| 6 | 0 | 0 | Temp. Tag | | 19 °C | |
| 6 | 0 | 1 | Temp. Nacht | | 16 °C | |
| 6 | 0 | 2 | T Sollwert Z3 | | 55 °C | |
| 6 | 2 | Zone 3 Einstellungen | | | | |
| 6 | 2 | 0 | Zone 3 Temperaturbereich | 0 = Niedrige Temperatur 1 = Hohe Temperatur | | |
| 6 | 2 | 1 | Heizungsregelung | 0 = Feste Vorlauftemp 1 = n. v. 2 = Nur Raumtemp 3 = Nur Außentemp 4 = Raum- + Außentemp | | |
| 6 | 2 | 2 | Rampe (*) | | 1,5 | |
| 6 | 2 | 3 | Offset (*) | | 0 °C | |
| 6 | 2 | 4 | Proportionaler Raumeinfluss (*) | | 20 °C | |
| 6 | 2 | 5 | Max T | | 82 °C | |
| 6 | 2 | 6 | Min T | | 35 °C | |

(*) Dieses Menü wird nur in Verbindung mit dem **ATAG Heizkreisanschluss** aktiviert.

Einstellungen

| Menü | Untermenü | Parameter | Beschreibung | Wert | Standardinstellung | |
|------|-------------------|-------------------------------|--------------------------------------|---|--------------------|--|
| 6 | 3 | Zone 3 Diagnose | | | | |
| 6 | 3 | 0 | Raum T | | | |
| 6 | 3 | 1 | Raum T Sollwert | | 19 °C | |
| 6 | 3 | 2 | Vorlauftemperatur | | 0 °C | |
| 6 | 3 | 3 | Rücklauftemperatur | | 0 °C | |
| 6 | 3 | 4 | Heizanforderung Z3 | AUS EIN | | |
| 6 | 3 | 5 | Pumpenstatus | AUS EIN | | |
| 6 | 4 | Zone 3 Pumpenparameter | | | | |
| 6 | 4 | 0 | Pumpenmodulation der Zone | 0 = Festwert 1 = DeltaT-Modulation 2 = Druck-Modulation | | |
| 6 | 4 | 1 | DeltaT-Sollwert für Pumpenmodulation | | 20 °C | |
| 6 | 4 | 2 | Feste Pumpendrehzahl | | 100% | |
| 7 | ZONENMODUL | | | | | |
| 7 | 1 | Manuellmodus | | | | |
| 7 | 1 | 0 | ZM Aktivierung des Manuellmodus | 0 = AUS 1 = EIN | | |
| 7 | 1 | 1 | Z1 Pumpenregelung | 0 = AUS 1 = EIN | | |
| 7 | 1 | 2 | Z2 Pumpenregelung | 0 = AUS 1 = EIN | | |
| 7 | 1 | 3 | Z3 Pumpenregelung | 0 = AUS 1 = EIN | | |
| 7 | 1 | 4 | Z2 Mischventilregelung | 0 = AUS 1 = Offen 2 = Geschlossen | | |
| 7 | 1 | 5 | Z3 Mischventilregelung | 0 = AUS 1 = Offen 2 = Geschlossen | | |
| 7 | 2 | Allgemeines Zonenmodul | | | | |
| 7 | 2 | 0 | Hydraulikplan-Definition | 0 = Nicht definiert 1 = n. v. 2 = Gemischter Heizkreis Modul II 3 = Gemischter Heizkreis Modul III 4 = n. v. 5 = Modul II für ungemischte Heizkreise 6 = Modul III für ungemischte Heizkreise | 0 | |
| 7 | 2 | 1 | Vorlauftemp. Offset | | 0 °C | |
| 7 | 2 | 2 | Einstellung des Hilfsausgangs | 0 = Heizanforderung 1 = Externe Pumpe 2 = Alarm | | |
| 7 | 2 | 3 | Außentemperatur-Korrekturdaten | | | |
| 7 | 8 | Fehlerhistorie | | | | |
| 7 | 8 | 0 | Die jüngsten 10 Fehler | | | |
| 7 | 8 | 1 | Reset der Fehlerliste | OK = Ja ESC = Nein | | |
| 7 | 9 | Reset Menü | | | | |
| 7 | 9 | 0 | Reset auf Werkseinstellungen | OK = Ja ESC = Nein | | |

Einstellungen

| Menü | Untermenü | Parameter | Beschreibung | Wert | Standardeinstellung |
|----------|-----------------------------|------------------------------|--|---|---------------------|
| 8 | Serviceparameter (*) | | | | |
| 8 | 1 | Kesselstatistiken (*) | | | |
| 8 | 1 | 0 | Betriebsstunden Brenner EIN CH (h/10) (*) | | |
| 8 | 1 | 1 | Betriebsstunden Brenner EIN ECS (h/10) (*) | | |
| 8 | 1 | 2 | Anzahl der Brennerstörungen (n/10) (*) | | |
| 8 | 1 | 3 | Anzahl der Zündzyklen (n/10) (*) | | |
| 8 | 1 | 4 | Dauer der Heizanforderung (*) | | |
| 8 | 1 | 5 | Systemnummer | | |
| 8 | 2 | Kessel (*) | | | |
| 8 | 2 | 0 | Modulationsrate (*) | | |
| 8 | 2 | 1 | Ventilator-Status (*) | AUS EIN | |
| 8 | 2 | 2 | Ventilator-drehzahl (x100 U/min) (*) | | |
| 8 | 2 | 3 | Pumpendrehzahl (*) | AUS Niedrige Drehzahl Hohe Drehzahl | |
| 8 | 2 | 4 | Umschaltventil-Position (*) | Warmwasser Heizen | |
| 8 | 2 | 5 | Warmwasser-Durchflussmenge l/min (*) | | 19 l/min |
| 8 | 2 | 6 | APS-Status | Offen Geschlossen | |
| 8 | 2 | 7 | Pumpenmodulation in % (*) | | 100% |
| 8 | 2 | 8 | Gasbrenner-Leistung (*) | | 6 kW |
| 8 | 3 | Kesseltemperatur (*) | | | |
| 8 | 3 | 0 | CH Solltemperatur (*) | | 55 °C |
| 8 | 3 | 1 | CH Vorlauf T (*) | | 14 °C |
| 8 | 3 | 2 | CH Rücklauf T (*) | | 23 °C |
| 8 | 3 | 3 | Warmwasser Vorlauf T (*) | | 59 °C |
| 8 | 3 | 5 | Außen T (*) | | 14 °C |

(*) Dieses Menü wird nur in Verbindung mit dem **ATAG Heizkreisanschluss** aktiviert.

INDICE**Presentazione**

| | |
|----------------------------|---|
| Marcatura CE..... | 2 |
| Standard di sicurezza..... | 3 |

Descrizione del prodotto

| | |
|-------------------|---|
| Introduzione..... | 4 |
| Panoramica..... | 4 |
| Dimensioni..... | 5 |
| Dati tecnici..... | 5 |

Installazione

| | |
|--|----|
| Avvertenze prima dell'installazione..... | 6 |
| Installazione a parete..... | 6 |
| Raccordi idraulici..... | 6 |
| Schemi idraulici..... | 8 |
| Collegamenti elettrici..... | 8 |
| Sensore di temperatura esterna..... | 8 |
| Schema di collegamento elettrico..... | 9 |
| Collegamento elettrico..... | 11 |

Messa in funzione

| | |
|--|----|
| Programmazione del modulo..... | 12 |
| Inizializzazione..... | 12 |
| Configurazione del modulo..... | 12 |
| Spurgo dell'aria..... | 12 |
| Funzione di protezione dal gelo..... | 12 |
| Funzione antibloccaggio..... | 12 |
| Indirizzamento dell'interfaccia di sistema..... | 13 |
| Significato dei LED..... | 14 |
| Guida alla ricerca e risoluzione dei guasti..... | 14 |

Termoregolazione

| | |
|------------------------------------|----|
| Regolazione della temperatura..... | 15 |
|------------------------------------|----|

Impostazioni..... 16**Presentazione**

Il presente libretto costituisce parte integrante ed essenziale del prodotto. Leggere attentamente le istruzioni e le avvertenze contenute nel presente libretto in quanto forniscono importanti regole riguardanti la sicurezza di installazione, d'uso e di manutenzione.

Le note ed istruzioni tecniche contenute nel presente documento, rivolte agli installatori, hanno lo scopo di fornire a questi ultimi le conoscenze necessarie ad effettuare correttamente e a regola d'arte questa procedura.

Il modulo è progettato per il comando di impianti di riscaldamento multizona/multitemperatura. È vietata l'utilizzazione per scopi diversi da quanto specificato. Il costruttore non sarà ritenuto responsabile per eventuali danni derivanti da usi impropri, erronei o irragionevoli dell'apparecchio o da un mancato rispetto delle istruzioni riportate sul presente libretto. L'installatore deve essere in possesso delle qualifiche necessarie per l'installazione degli apparecchi di riscaldamento; una volta portato a termine il suo compito, lo stesso installatore deve fornire al cliente una dichiarazione di conformità.

L'installazione, la manutenzione e qualsiasi altro intervento devono essere effettuati nel pieno rispetto delle norme vigenti e di qualsiasi indicazione fornita dal costruttore.

Un'errata installazione può causare danni a persone, animali e cose per i quali l'azienda costruttrice non sarà ritenuta responsabile.

Qualora la fornitura non sia completa o l'apparecchio risulti danneggiato, contattare il fornitore. Gli elementi di imballaggio (clip, sacchetti in plastica, polistirolo espanso, ecc.) non devono essere lasciati alla portata dei bambini in quanto fonti di pericolo. Prima di effettuare qualsiasi lavoro sul modulo, assicurarsi che l'alimentazione di rete sia spenta. Tutte le riparazioni devono essere effettuate da un professionista qualificato utilizzando esclusivamente ricambi originali. Il mancato rispetto di quanto sopra può compromettere la sicurezza dell'apparecchio e fa decadere ogni responsabilità del costruttore. Spegnerne l'alimentazione di rete prima di procedere alla pulizia delle parti esterne dell'apparecchio. Pulire con un panno umido. Non utilizzare detergenti aggressivi o prodotti tossici.

Marcatura CE

Il marchio CE garantisce la conformità dell'apparecchio alle seguenti direttive:

- 2004/108/CE sulla compatibilità elettromagnetica
- 2006/95/CE sulla sicurezza elettrica degli apparecchi a bassa tensione

presentazione

Standard di sicurezza

Legenda dei simboli:

- ⚠ Il mancato rispetto degli avvertimenti implica il rischio di lesioni e può persino provocare la morte.
- ⚠ Il mancato rispetto degli avvisi di pericolo può ledere e danneggiare, in alcuni casi anche seriamente, proprietà, impianti o animali.

Installare l'apparecchio su una parete solida, non soggetta a vibrazioni.

- ⚠ Funzionamento rumoroso.

Non danneggiare, nel forare la parete, cavi elettrici o tubazioni.

- ⚠⚠ Il contatto con conduttori sotto tensione può provocare folgorazione. Esplosioni, incendi o intossicazione in caso di perdita di gas da un condotto danneggiato. Danneggiamento impianti preesistenti. Allagamenti per perdita d'acqua dai condotti danneggiati.

I collegamenti elettrici devono essere realizzati usando conduttori di sezione idonea.

- ⚠ Incendio per surriscaldamento provocato dal passaggio di corrente elettrica attraverso cavi sottodimensionati.

Proteggere i cavi di collegamento per prevenirne il danneggiamento.

- ⚠⚠ Il contatto con conduttori sotto tensione può provocare folgorazione. Esplosioni, incendi o intossicazione in caso di perdita di gas da un condotto danneggiato. Allagamenti per perdita d'acqua dai condotti danneggiati.

Controllare che il pezzo e gli impianti a cui deve essere collegato l'apparecchio siano conformi alle normative vigenti applicabili.

- ⚠⚠ Il contatto con conduttori sotto tensione installati in modo non corretto può provocare folgorazione. Danneggiamento dell'apparecchio causato da condizioni di esercizio non idonee.

Usare accessori ed attrezzi manuali idonei allo scopo (assicurarsi che gli utensili non siano danneggiati e che il manico sia ben fissato e in buone condizioni), usare correttamente questi attrezzi, proteggerli contro una caduta accidentale e riporli dopo l'uso.

- ⚠⚠ Lesioni personali provocate dal lancio di schegge o frammenti, da inalazione di polveri, colpi ricevuti, oppure tagli, punture o abrasioni. Danni all'apparecchio o ad oggetti nelle vicinanze causati dal lancio di detriti o frammenti, da tagli, incisioni.

Usare l'apparecchiatura elettrica adeguata (in particolare controllare che il cavo e la spina di alimentazione siano in buone condizioni e che le parti rotanti o che si alternano siano ben fissate). Fare un uso corretto dell'apparecchiatura. Non ostruire il passaggio con cavi per posa mobile. Fissarli affinché non rappresentino un intralcio. Scollegarli e riporli dopo l'uso.

- ⚠⚠ Lancio di schegge o frammenti, inalazione di polveri, colpi ricevuti, tagli, punture, abrasioni, rumori o vibrazioni possono provocare lesioni personali. Danni all'apparecchio o ad oggetti nelle vicinanze causati dal lancio di detriti o frammenti, da tagli, incisioni.

Assicurarsi che le scale portatili siano stabili e robuste e che non scivolino, e che gli scalini siano in buone condizioni. Assicurarsi che sia presente una terza persona per evitare che le scale si muovano quando qualcun altro le sta usando.

- ⚠ Possono verificarsi lesioni provocate da caduta dall'alto o da taglio (scala pieghevole).

Assicurarsi che le scale a castello siano stabili e sufficientemente robuste, che presentino scalini antiscivolo e in buone condizioni e che siano dotate di un parapetto che corre per tutta la lunghezza della rampa e lungo la piattaforma.

- ⚠ Possono verificarsi lesioni provocate da caduta dall'alto.

Quando si eseguono lavori in altezza (in generale nel caso di differenze di altezza superiori ai 2 m), assicurarsi che sia presente un parapetto di sicurezza che delimiti l'area di lavoro o che vengano utilizzati dispositivi di protezione individuale anticaduta, che il percorso di un'eventuale caduta non sia ostruito da oggetti pericolosi e che qualsiasi possibile impatto venga ammortizzato da supporti semirigidi o deformabili.

- ⚠ Possono verificarsi lesioni provocate da caduta dall'alto.

Assicurarsi che le condizioni sanitarie e di sicurezza siano adeguate in termini di illuminazione, ventilazione, solidità strutturale ed uscite di emergenza.

- ⚠ Lesioni personali per urti, inciampi, ecc.

Proteggere l'apparecchio e le zone limitrofe dell'area di lavoro con dispositivi adeguati.

- ⚠ L'apparecchio o gli oggetti vicini possono essere danneggiati da frammenti scagliati, tagli o graffi.

Muovere l'apparecchio usando i dispositivi di protezione necessari e la massima precauzione.

- ⚠ L'apparecchio o gli oggetti vicini potrebbero venire danneggiati a causa di urti, impatti, graffi o schiacciamenti.

Mentre si eseguono i lavori utilizzare abbigliamento di sicurezza e dispositivi di protezione individuale.

- ⚠ Folgorazione, lancio di schegge o frammenti, inalazione di polveri, colpi ricevuti, oppure tagli, punture o abrasioni, rumori e vibrazioni possono provocare lesioni personali.

Assicurarsi che l'apparecchiatura nel suo insieme venga stoccata in modo tale da renderne semplice e sicura la manipolazione; evitare la formazione di pile che rischiano di rovesciarsi.

- ⚠ L'apparecchio o gli oggetti vicini potrebbero venire danneggiati a causa di urti, impatti, graffi o schiacciamenti.

Gli interventi all'interno dell'apparecchio devono essere effettuati con la dovuta attenzione per evitare di venire a contatto in modo repentino con parti taglienti.

- ⚠ Lesioni personali per tagli, punture e abrasioni.

Resettare qualsiasi dispositivo di sicurezza e comando interessato da un intervento sull'apparecchio ed assicurarsi che tale dispositivo funzioni correttamente prima di rimettere in funzione l'apparecchio.

- ⚠⚠ Esplosioni, incendi o intossicazione causati da perdite di gas o evacuazione non corretta dei fumi. Danneggiamento o arresto dell'apparecchio causato da condizioni di esercizio fuori controllo. **Svuotare qualsiasi componente che possa contenere acqua calda, attivare gli sfiumi prima di qualsiasi intervento, laddove presenti.**

- ⚠ Lesioni personali per ustioni.

Effettuare la disincrostazione da calcare di componenti attenendosi alle raccomandazioni riportate nella scheda di sicurezza del prodotto usato, aerando l'ambiente, indossando indumenti protettivi, evitando miscele di prodotti diversi, proteggendo l'apparecchio e gli oggetti vicini.

- ⚠⚠ Lesioni personali causate dal contatto di pelle e occhi con sostanze acide, inalazione o ingestione di agenti chimici pericolosi. Danneggiamento dell'apparecchio o di oggetti vicini per corrosione da sostanze acide.

Se si avverte odore di bruciato o la presenza di fumi in uscita dall'apparecchio, spegnere l'alimentazione elettrica, aprire le finestre e rivolgersi ad un tecnico.

- ⚠ Lesioni personali causate da ustioni, inalazione di fumi, intossicazione. Esplosioni, incendi o intossicazione.

descrizione del prodotto

Introduzione

I moduli II e III per circuito di riscaldamento misto sono moduli idraulici multitemperatura dotati di una o due valvole di miscelazione a 3 vie motorizzate e di pompe modulanti ad alta efficienza energetica. È possibile gestire fino a tre circuiti, compreso uno direttamente (senza valvola di miscelazione). I moduli multitemperatura sono stati studiati per essere installati in modo da essere indipendenti dal punto di vista idraulico dalla caldaia.

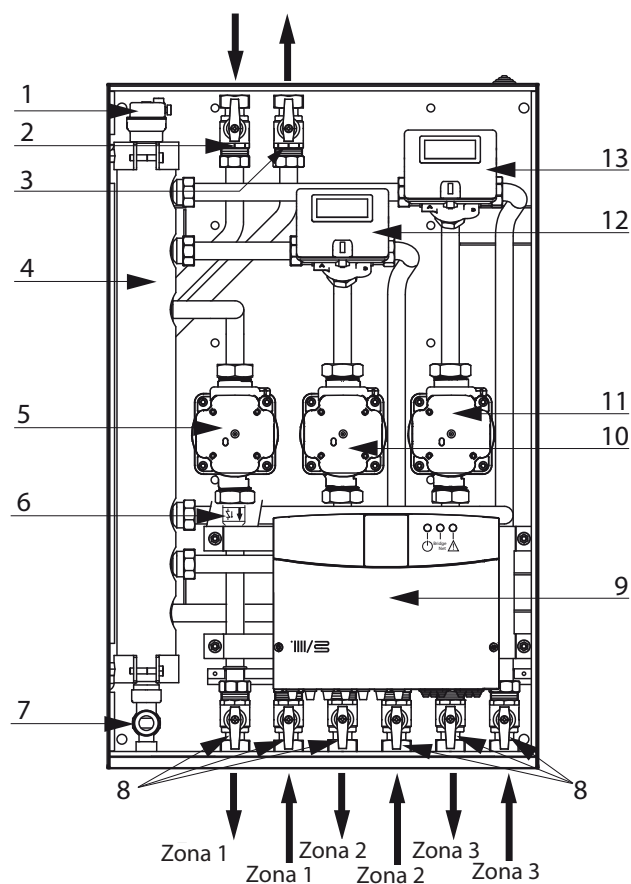
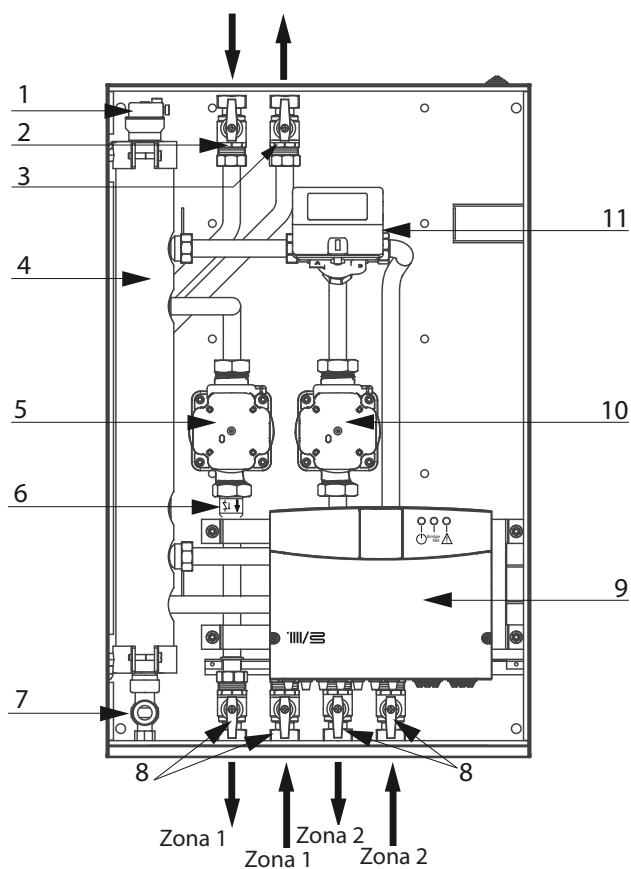
I moduli II e III per circuito di riscaldamento misto possono funzionare in una delle due modalità di regolazione seguenti:

Scenario n. 1: la caldaia è dotata di un collegamento **ATAG zone**. La caldaia e il modulo comunicano per la massima efficienza. È possibile configurare il modulo e il riscaldamento direttamente dal pannello di controllo della caldaia.

Scenario n. 2: la caldaia non è dotata di un collegamento **ATAG zone**. Quando viene inviata al modulo una richiesta di riscaldamento, il segnale viene trasferito alla caldaia attraverso un contatto a potenziale zero. È necessario poi ricorrere ad un'interfaccia di sistema (opzionale) per configurare il modulo e il riscaldamento.

Panoramica Modulo II per circuito di riscaldamento misto

Panoramica Modulo III per circuito di riscaldamento misto

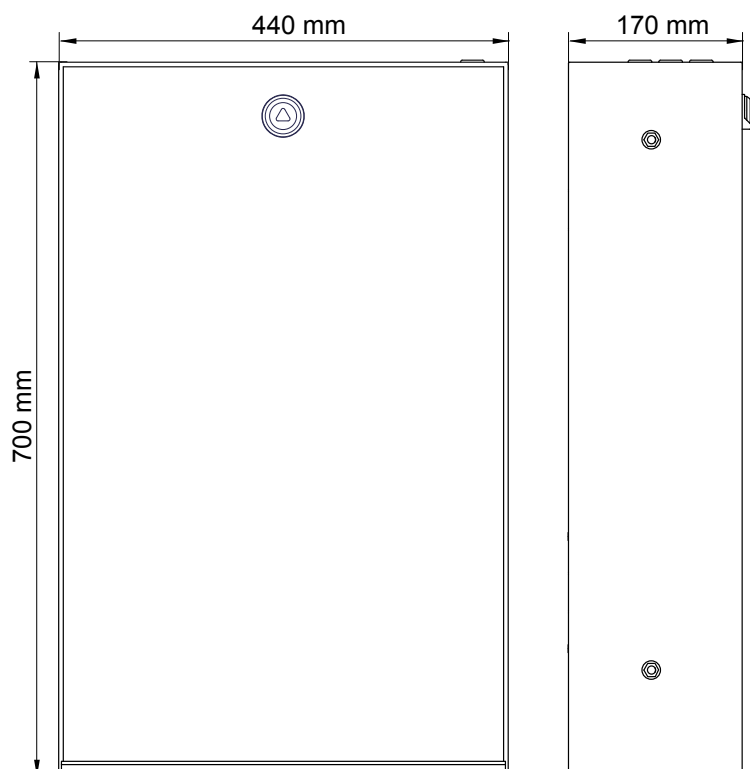


1. Sfiato aria automatico
2. Valvola di isolamento mandata caldaia
3. Valvola di isolamento ritorno caldaia
4. Collettore di bilanciamento
5. Pompa di circolazione zona 1
6. Valvola di non ritorno zona 1
7. Uscita separatore per lo sporco
8. Valvole di isolamento zona 1 - 2
9. Unità di comando
10. Pompa di circolazione zona 2
11. Valvola di miscelazione zona 2

1. Sfiato aria automatico
2. Valvola di isolamento mandata caldaia
3. Valvola di isolamento ritorno caldaia
4. Collettore di bilanciamento
5. Pompa di circolazione zona 1
6. Valvola di non ritorno zona 1
7. Uscita separatore per lo sporco
8. Valvole di isolamento zona 1 - 2 - 3
9. Unità di comando
10. Pompa di circolazione zona 2
11. Pompa di circolazione zona 3
12. Valvola di miscelazione zona 2
13. Valvola di miscelazione zona 3

descrizione del prodotto

Dimensioni



Dati tecnici

| | | | | |
|--------------------------------|--|--------------|---|--|
| NOTE GEN. | Nome modello | | Modulo II per circuito di riscaldamento misto | Modulo III per circuito di riscaldamento misto |
| | Conformità | | CE | |
| CIRCUITO DI RISCALDAMENTO | Pressione di esercizio circuiti di riscaldamento | bar | 0,5 - 3 | 0,5 - 3 |
| | Temperatura diretta massima di esercizio dei circuiti di riscaldamento | °C | 85 | 85 |
| DATI ELETTRICI | Tensione/Frequenza di alimentazione | V/Hz | 230/50 | 230/50 |
| | Potenza elettrica assorbita nominale | W | 116 (*) | 174 (*) |
| | Potenza elettrica di ingresso minima | W | 30 (**) | 45 (**) |
| | Grado di protezione impianto elettrico | IP | X5D | X5D |
| | Contenuto di acqua del modulo | l | 2,0 | 2,5 |
| | Peso a modulo vuoto | Kg | 20 | 23 |
| | Dimensioni (L x A x P) | mm | 440 x 700 x 170 | |
| | Collegamenti idraulici | Lato caldaia | | 3/4" F |
| Lato circuito di riscaldamento | | | 3/4" F | 3/4" F |

(*) Dati rilevati con tutti i dispositivi elettrici in funzione al massimo del loro consumo elettrico.

(**) Dati rilevati con pompa/pompe in funzione alla minima velocità.

Avvertenze prima dell'installazione

Al fine di prevenire un uso improprio del modulo, il luogo di installazione deve rispettare i limiti relativi alla temperatura di esercizio rilevanti ed essere protetto da sostanze volatili corrosive. Il modulo è stato progettato per essere installato a parete, direttamente sotto alla caldaia. Montando il modulo, predisporre spazio a sufficienza attorno ad esso al fine di garantire un accesso facile dopo l'installazione.

AVVERTENZA

Non danneggiare, nel forare la parete, cavi elettrici o tubazioni preesistenti.

Installazione a parete

Usare una livella a bolla per posizionare il modulo. Per fissarlo alla parete, rimuovere lo sportello usando la chiave fornita in dotazione (triangolare). Fissare il modulo con tasselli adatti al tipo di parete e al peso del dispositivo. I quattro punti di montaggio sono posizionati all'interno dei quattro angoli del modulo.

Collegamento idraulico

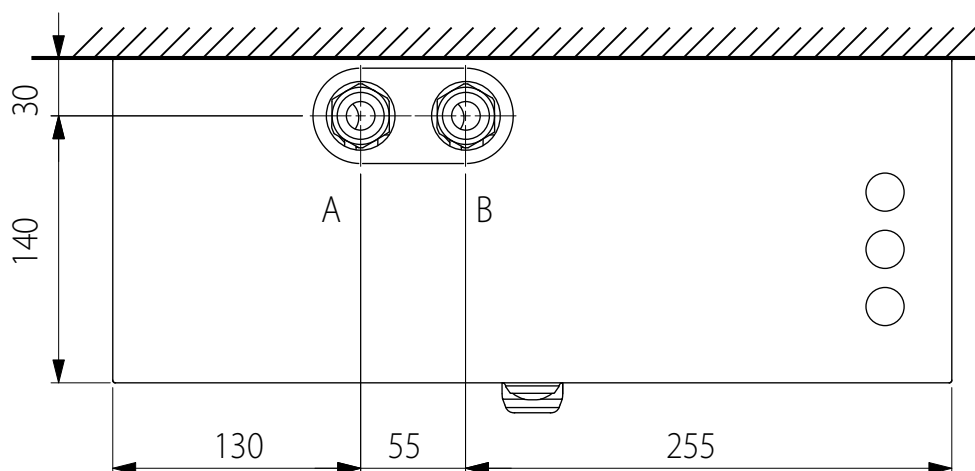
Il modulo deve essere collegato ad un impianto di riscaldamento correttamente dimensionato in base alle sue prestazioni.

Prima di collegare il modulo, eseguire le operazioni seguenti:

- risciacquare accuratamente i tubi dell'impianto al fine di rimuovere qualsiasi detrito che ne potrebbe impedire il corretto funzionamento;
- assicurarsi che la pressione del circuito primario non superi il valore di 3 bar;
- accertarsi che la temperatura di mandata non sia superiore agli 85 °C;
- accertarsi che tutti i dispositivi di sicurezza e funzionamento studiati per garantire il corretto esercizio dell'apparecchio siano stati installati;
- verificare che il vaso di espansione abbia una capacità adeguata al contenuto di acqua dell'impianto.

Il modulo è dotato di una valvola di isolamento che facilita l'esecuzione di qualsiasi procedura di manutenzione necessaria.

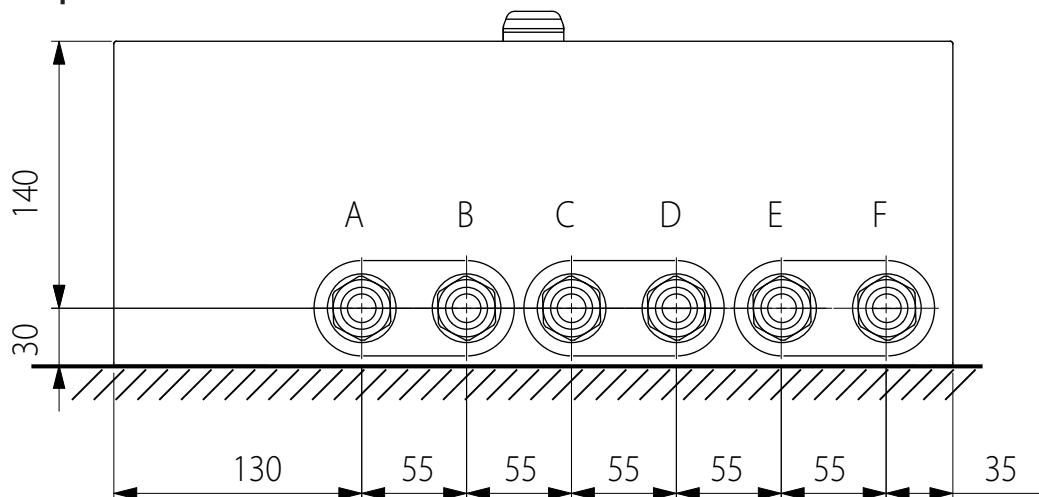
Vista parte superiore



Legenda:

LATO CALDAIA
A. Mandata caldaia
B. Ritorno caldaia

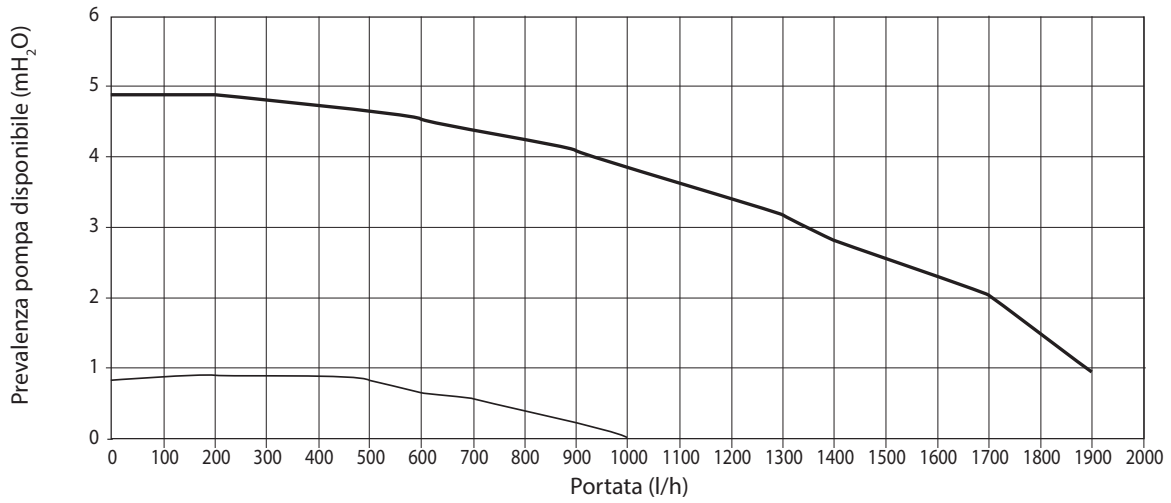
Vista parte inferiore



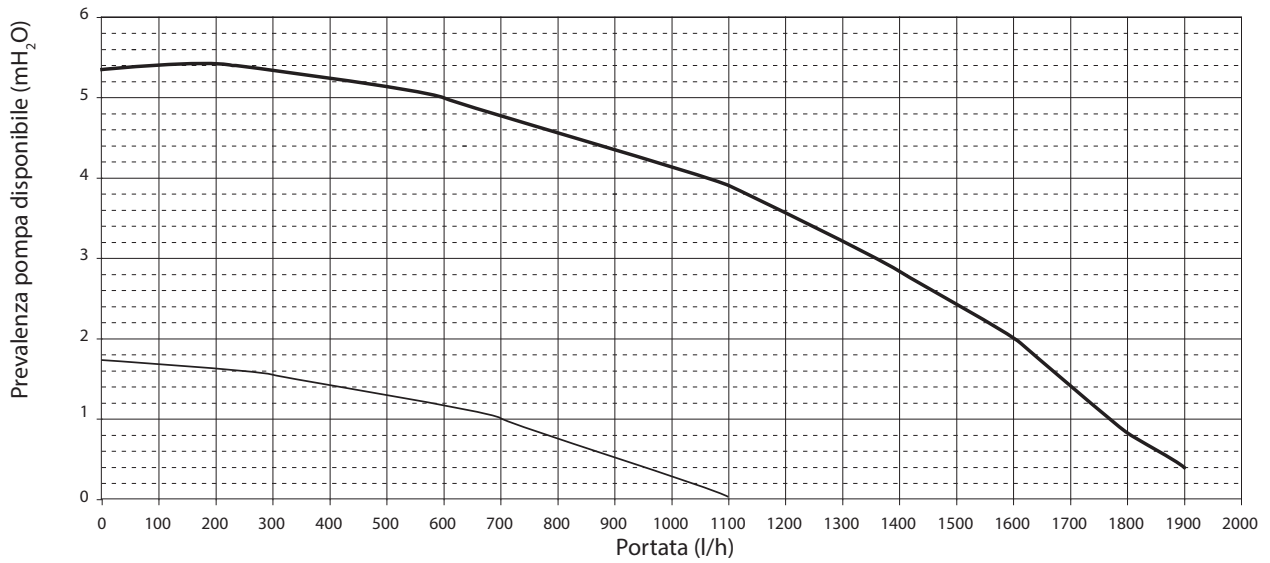
LATO IMPIANTO
A. Mandata zona 1
B. Ritorno zona 1
C. Mandata zona 2 a temperatura controllata
D. Ritorno zona 2 a temperatura controllata
E. Mandata zona 3 a temperatura controllata
F. Ritorno zona 3 a temperatura controllata

Per i dettagli sul dimensionamento idraulico dell'impianto, fare riferimento alle curve di mandata/pressione seguenti, riferite alla pompa di ricircolo in funzione alla massima e minima velocità.

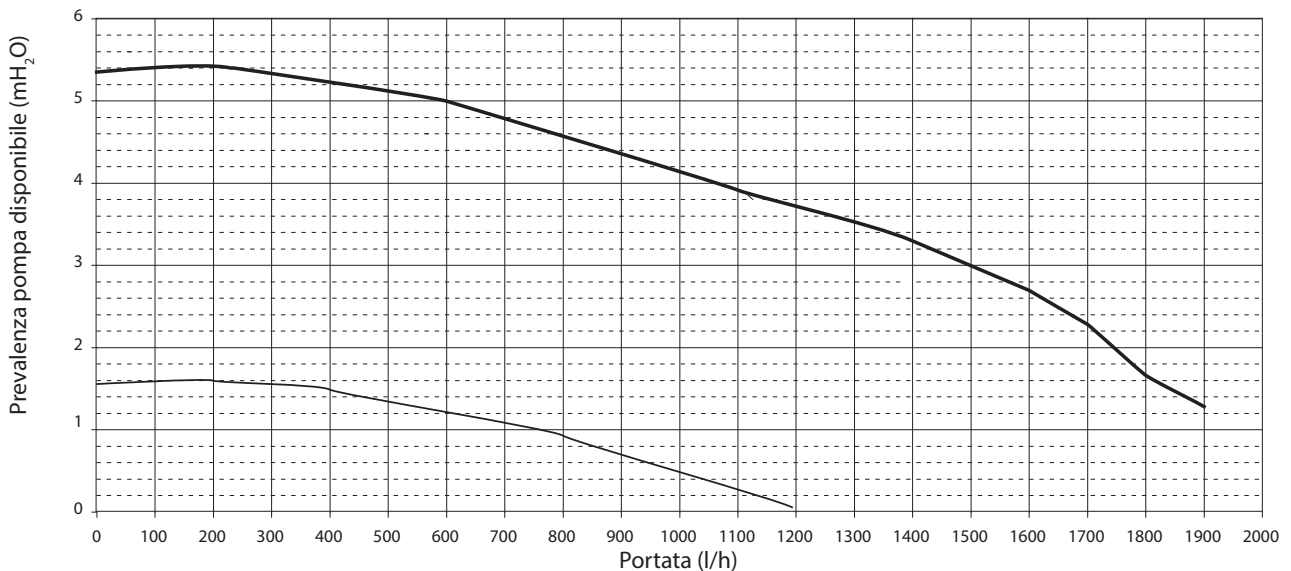
Prevalenza pompa disponibile zona 1



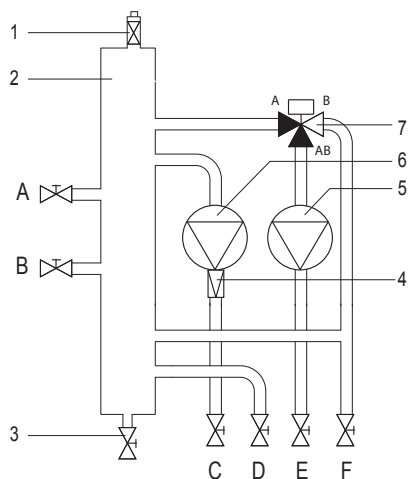
Valvola di miscelazione prevalenza pompa disponibile zone 2 e 3, leva in posizione abbassata (A → AB)



Valvola di miscelazione prevalenza pompa disponibile zone 2 e 3, leva in posizione sollevata (B → AB)



Schema idraulico modulo II per circuito di riscaldamento misto



Legenda

1. Sfiato aria automatico
2. Collettore di bilanciamento
3. Uscita separatore per lo sporco
4. Valvola di non ritorno zona 1
5. Pompa di circolazione zona 2
6. Pompa di circolazione zona 1
7. Valvola di miscelazione zona 2

- A. Mandata caldaia
 B. Ritorno caldaia
 C. Mandata zona 1
 D. Ritorno zona 1
 E. Mandata zona 2 a temperatura controllata
 F. Ritorno zona 2 a temperatura controllata

AVVERTENZA

Prima di effettuare qualsiasi lavoro sulla caldaia, scollegarla dall'alimentazione di rete

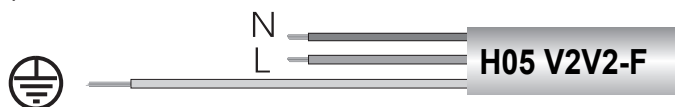
Collegamenti elettrici

Per una maggiore sicurezza, tutto l'impianto elettrico deve essere controllato da un elettricista qualificato.

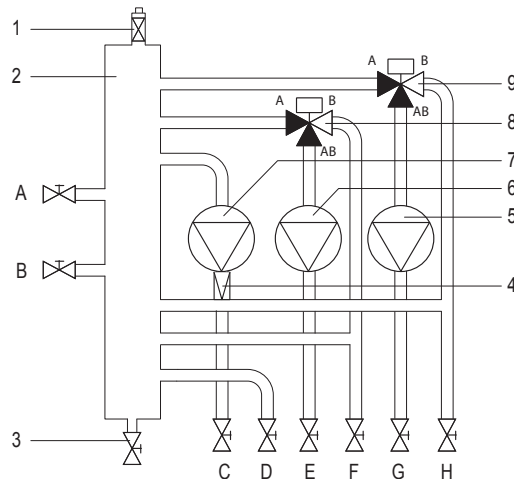
Il costruttore non dovrà essere ritenuto responsabile per eventuali danni causati dalla mancanza di messa a terra dell'impianto o per anomalie di alimentazione elettrica. Assicurarsi che l'impianto elettrico sia in grado di fornire la potenza massima richiesta dal modulo (così come mostrato dalla targhetta dati). Controllare che la sezione dei cavi sia idonea, comunque non inferiore a 1,5 mm².

Per un funzionamento sicuro, l'apparecchiatura deve essere collegata ad un dispositivo di messa a terra.

Il cavo di alimentazione deve essere collegato ad una rete a 230 V 50 Hz, avendo cura di effettuare correttamente il collegamento L-N e quello di terra.



Schema idraulico modulo III per circuito di riscaldamento misto



Legenda

1. Sfiato aria automatico
2. Collettore di bilanciamento
3. Uscita separatore per lo sporco
4. Valvola di non ritorno zona 1
5. Pompa di circolazione zona 3
6. Pompa di circolazione zona 2
7. Pompa di circolazione zona 1
8. Valvola di miscelazione zona 2
9. Valvola di miscelazione zona 3

- A. Mandata caldaia
 B. Ritorno caldaia
 C. Mandata zona 1
 D. Ritorno zona 1
 E. Mandata zona 2 a temperatura controllata
 F. Ritorno zona 2 a temperatura controllata
 G. Mandata zona 3 a temperatura controllata
 H. Ritorno zona 3 a temperatura controllata

Per un'installazione a pavimento a bassa temperatura, usare un termostato di sicurezza per riscaldamento a pavimento per le zone 2 e 3.

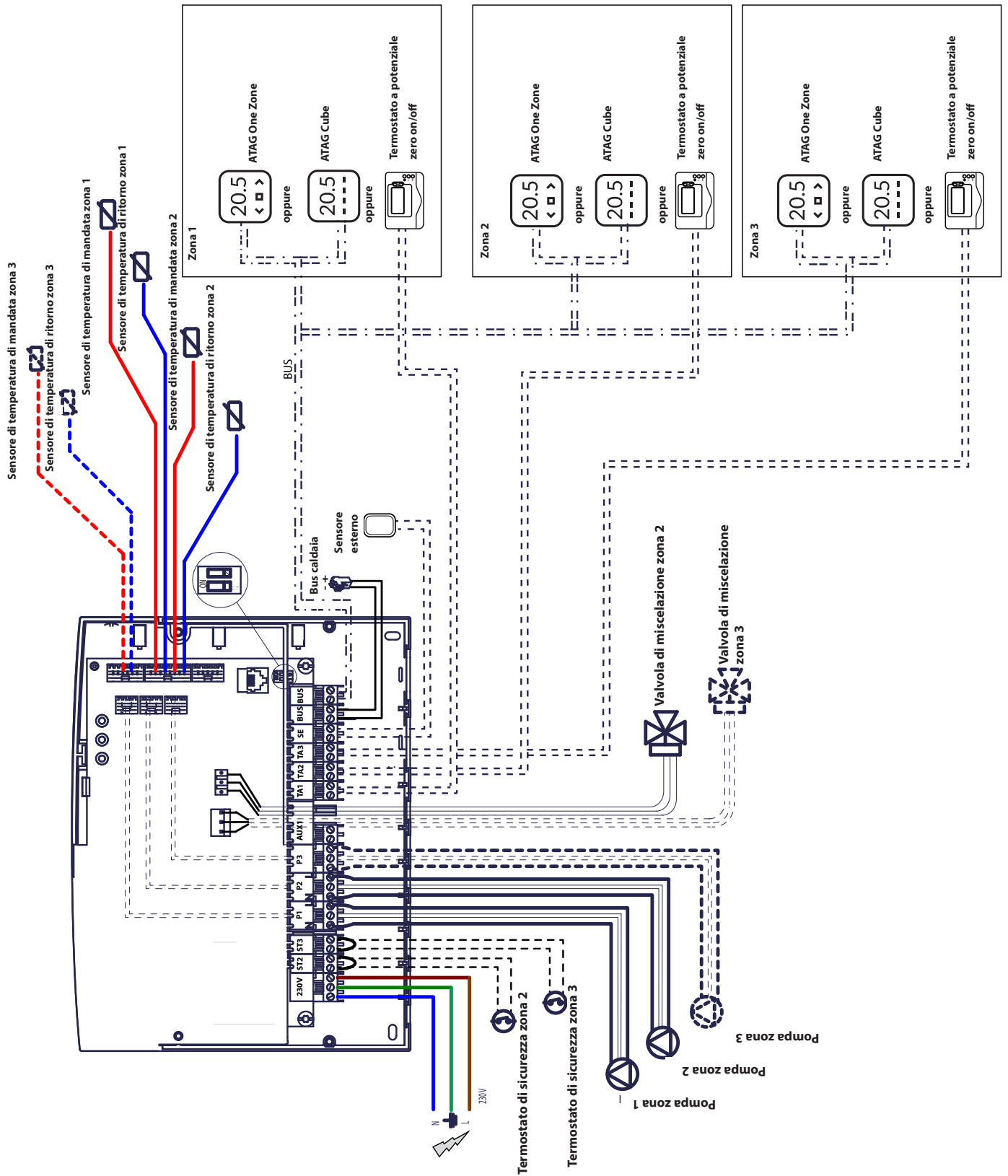
Il collegamento elettrico deve essere effettuato sulle morsettiere ST2 e ST3 del modulo.

Sensore di temperatura esterna

È possibile collegare un sensore di temperatura esterna alla morsettiere "SE" del modulo. Il sensore può essere usato per visualizzare la temperatura esterna o per regolare la temperatura se:
 - il modulo è collegato alla caldaia tramite collegamento **ATAG zone** (scenario n. 1).

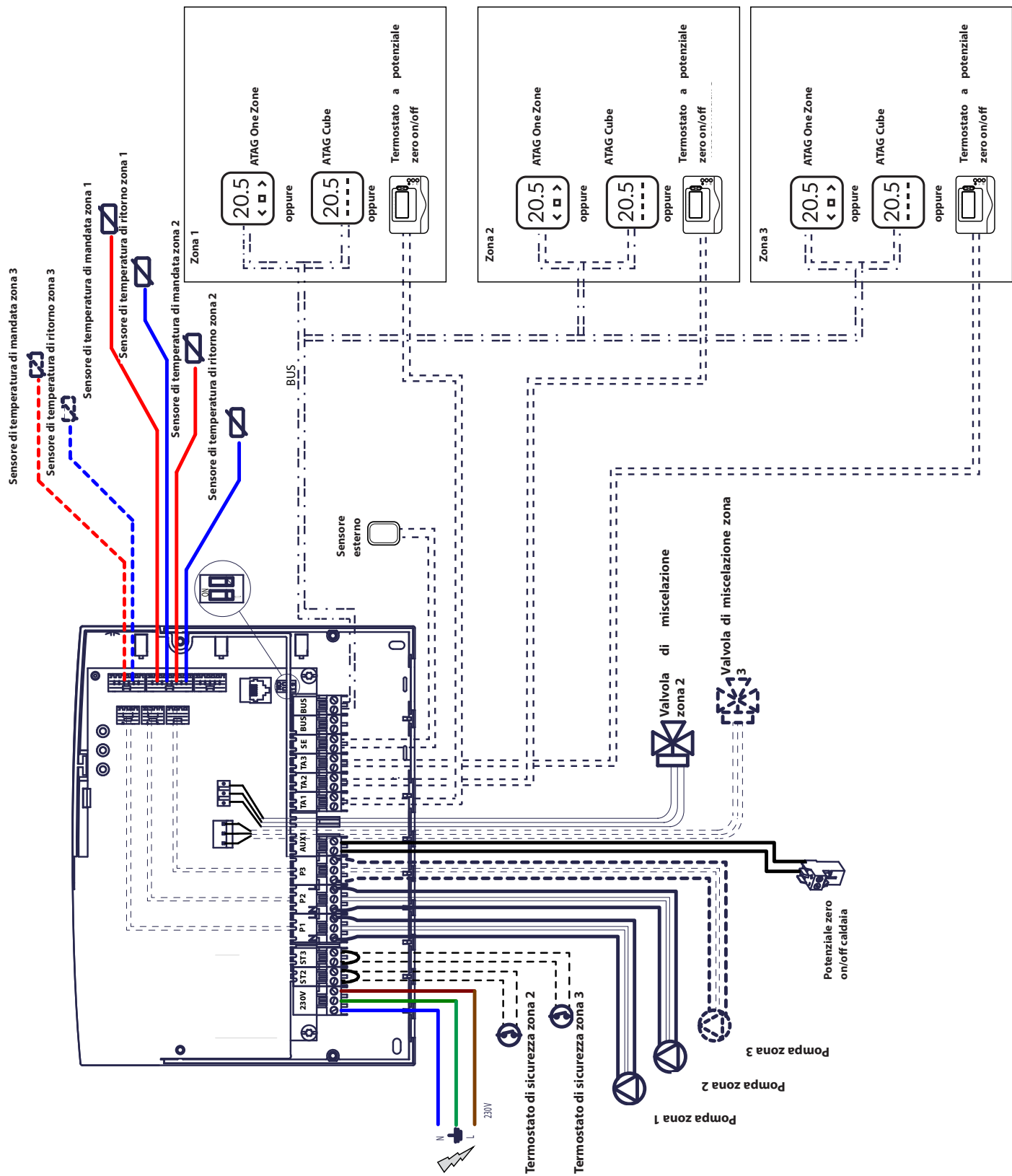
In questo scenario, il sensore di temperatura esterna collegato al modulo ha la prevalenza sul sensore eventualmente collegato alla caldaia.

Schema elettrico 1: collegamento alla caldaia dotata di collegamento ATAG zone. Il modulo viene configurato sulla caldaia o usando un'interfaccia di sistema.



Schema elettrico 2: collegamento a tutti i tipi di caldaia.

⚠ In questa configurazione è richiesta almeno un'interfaccia di sistema.



installazione

Collegamento elettrico dei moduli II e III per circuito di riscaldamento misto

AVVERTENZA

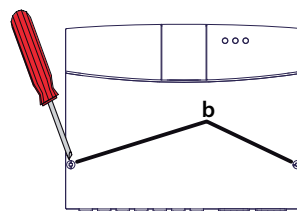
Prima di effettuare qualsiasi lavoro sulla caldaia, scollegarla dall'alimentazione di rete.

Scenario n. 1:

La caldaia è dotata di un collegamento **ATAG zone**.

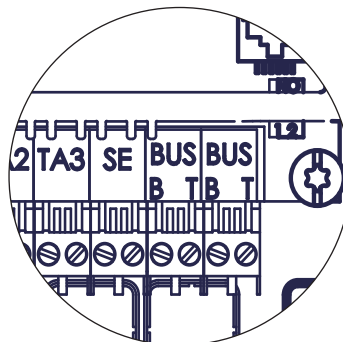
- 1) Per accedere alla morsettiera di collegamento per le periferiche della caldaia, procedere come di seguito descritto:
 - rimuovere il pannello di copertura della caldaia,
 - inclinare in avanti l'unità di comando.

- 2) Per accedere alla morsettiera di collegamento per le periferiche del modulo, procedere come di seguito descritto:
 - rimuovere il pannello di copertura del modulo,
 - svitare le due viti (**b**) e rimuovere la copertura dell'unità di comando.



Morsettiera Bus sul modulo

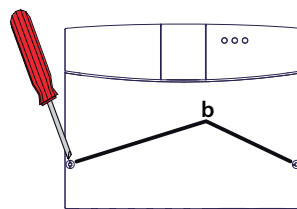
- 3) Realizzare i collegamenti elettrici fra la morsettiera "BUS" sulla caldaia (B e T) e una delle due morsettiere "BUS" sul modulo (B e T).



Scenario n. 2:

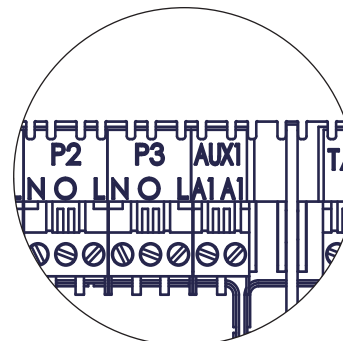
La caldaia non è dotata di un collegamento **ATAG zone**.

- 1) Per accedere alla morsettiera di collegamento per le periferiche del modulo, procedere come di seguito descritto:
 - rimuovere il pannello di copertura del modulo,
 - svitare le due viti (**b**) e rimuovere la copertura dell'unità di comando.



Morsettiera AUX1 sul modulo

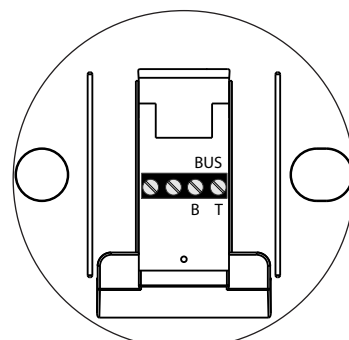
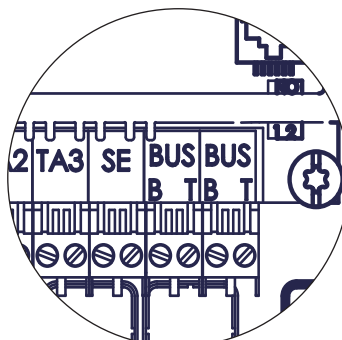
- 2) Realizzare il collegamento elettrico fra la morsettiera "TA" (termostato ambiente) sulla caldaia e la morsettiera "AUX1" sul modulo.



Morsettiera Bus sul modulo

Morsettiera di interfaccia di sistema

- 3) Realizzare il collegamento elettrico fra una delle due morsettiere "BUS" sul modulo e le morsettiere "B" e "T" sull'interfaccia di sistema.



Programmazione del modulo

Esistono due possibilità:

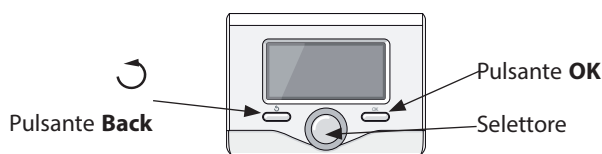
Scenario n. 1: la caldaia è munita di un collegamento **ATAG zone**; le configurazioni vengono effettuate dalla caldaia o da un'interfaccia di sistema (opzionale).

Scenario n. 2: il modulo è indipendente e le zone sono configurate dall'interfaccia di sistema fornita come optional.


Inizializzazione

Prima di avviare la procedura, controllare la presenza di acqua in tutti i circuiti e che lo spurgo dell'aria sia terminato.


Una volta collegata tutta l'apparecchiatura, il sistema riconosce l'apparecchiatura ed esegue automaticamente l'inizializzazione.



Configurazione del modulo dalla caldaia

- 1) Accendere il display premendo il pulsante **OK**. Lo schermo viene attivato.
- 2) Tenere premuti contemporaneamente per 5 secondi i pulsanti  e **OK** sull'interfaccia di sistema.
- 3) Premere il pulsante **OK**. Non appena lo schermo visualizza CODE (codice), premere **OK**; apparirà il codice **000**.
- 4) Ruotare il selettore verso destra finché sullo schermo non appare il codice **007**, dopo di che confermare con il pulsante **OK**.
- 5) Sullo schermo apparirà la voce MENU; a questo punto confermare, selezionare il menu **7** e confermare con il pulsante **OK**.
- 6) Selezionare il sottomenu **72** e confermare con il pulsante **OK**.
- 7) Selezionare il sottomenu **720** e confermare con il pulsante **OK**.
- 8) Selezionare il parametro **2** per il modulo II per circuito di riscaldamento misto e il parametro **3** per il modulo III per circuito di riscaldamento misto e confermare con il pulsante **OK** (si veda il menu **720** nella tabella delle impostazioni).
- 9) Premere ripetutamente il pulsante **Back** (indietro) per ritornare alla schermata della caldaia.

Configurazione del modulo usando l'interfaccia di sistema

- 1) Accendere il display premendo il pulsante **OK**. Lo schermo viene attivato.
- 2) Tenere premuti contemporaneamente per 5 secondi i pulsanti  e **OK** sull'interfaccia di sistema.
- 3) Usando il selettore visualizzare il codice **234**, dopo di che confermare con il pulsante **OK**.
- 4) Ruotare il pulsante in senso orario per accedere all'opzione **MENU**, dopo di che confermare con il pulsante **OK**.
- 5) Cercare il menu **7** "Multizone Module" (modulo multizona) usando il selettore e confermare con il pulsante **OK**. Selezionare il sottomenu **72** "Multizone" (multizona), dopo di che confermare con il pulsante **OK**. Selezionare il parametro **720**, dopo di che confermare con il pulsante **OK** e selezionare il parametro **2** nel caso del modulo II per circuito di riscaldamento misto oppure il parametro **3** nel caso del modulo III per circuito di riscaldamento misto, dopo di che confermare con il pulsante **OK**.

Spurgo dell'aria

Solo se è presente un collegamento **ATAG zone** (scenario n. 1), la funzione di spurgo automatico dell'aria viene attivata dalla caldaia.

La funzione di spurgo dell'aria viene attivata tenendo premuto per 5 secondi il pulsante **Back** sulla caldaia oppure attivando il parametro **701**.

Con la funzione di spurgo attivata, il modulo accende e spegne la pompa. Questo fa sì che l'aria presente nel circuito cominci a circolare. Se necessario è possibile attivare un nuovo ciclo.

Funzione di protezione dal gelo


Se il sensore di flusso misura una temperatura inferiore ai 5 °C, verrà attivata la funzione di protezione dal gelo. Una volta attivata la funzione di protezione dal gelo, il modulo avvia la pompa di ricircolo. In questo modo è possibile estendere la protezione dal gelo alle zone 1 e 2.

Funzione antibloccaggio

Dopo 24 ore di inattività, sulla pompa di ricircolo e sulla valvola di miscelazione viene eseguito un ciclo antibloccaggio.

messa in funzione

Indirizzamento dell'interfaccia di sistema

- 1) Trovare il menu **0** "Network" (rete), dopo di che confermare con il pulsante **OK**. Selezionare il sottomenu **03** "Interface system" (interfaccia di sistema), dopo di che confermare con il pulsante **OK**.
- 2) Selezionare il sottomenu **030** "Zone number" (numero zona), dopo di che confermare con il pulsante **OK** ed assegnare il codice di configurazione all'interfaccia di sistema:
 - 0 nessuna zona impostata (interfaccia di sistema non assegnata ad alcuna zona),dopo di che confermare con il pulsante **OK**.
- 3) Ritornare alla schermata principale premendo ripetutamente il pulsante 

In questa fase il modulo funziona con i parametri di fabbrica.


Significato dei LED

| LED VERDE (a sinistra) | |
|------------------------|---|
| Spia spenta | Alimentazione elettrica OFF |
| Spia accesa | Alimentazione elettrica ON |
| Spia lampeggiante | Alimentazione elettrica ON, esercizio in modalità manuale |
| LED VERDE (centrale) | |
| Spia spenta | Nessuna comunicazione ATAG zone |
| Spia accesa | comunicazione ATAG zone presente |
| Spia lampeggiante | Inizializzazione comunicazione ATAG zone |
| LED ROSSO (a destra) | |
| Spia spenta | Nessuna anomalia di esercizio |
| Spia accesa | Rilevata una o più anomalie di esercizio |

Guida alla ricerca e risoluzione dei guasti

I moduli II e III per circuito di riscaldamento misto sono protetti dal rischio di guasto tramite controlli interni effettuati solo dalla scheda elettronica che, se necessario, provoca un arresto di emergenza.

La tabella seguente mostra i possibili codici di errore, la loro descrizione e l'azione consigliata da intraprendere in ciascun caso:

| Codice errore | Descrizione | Azione consigliata |
|---------------|---|---|
| 7 0 1 | Guasto sensore di temperatura di mandata riscaldamento zona 1 | Controllare il collegamento del sensore in questione. Controllare la continuità del sensore. Sostituire il sensore se necessario. |
| 7 0 2 | Guasto sensore di temperatura di mandata riscaldamento zona 2 | |
| 7 0 3 | Guasto sensore di temperatura di mandata riscaldamento zona 3 | |
| 7 1 1 | Guasto sensore di temperatura di ritorno riscaldamento zona 1 | |
| 7 1 2 | Guasto sensore di temperatura di ritorno riscaldamento zona 2 | |
| 7 1 3 | Guasto sensore di temperatura di ritorno riscaldamento zona 3 | |
| 7 2 2 | Surriscaldamento zona 2 | Controllare il collegamento alla morsettiera "ST2" sul modulo OPPURE Controllare l'impostazione relativa alla temperatura di riscaldamento massima per la zona 2 (parametro 525). Controllare il collegamento del termostato di sicurezza alla morsettiera "ST2" sul modulo. |
| 7 2 3 | Surriscaldamento zona 3 | Controllare il collegamento alla morsettiera "ST3" sul modulo OPPURE Controllare l'impostazione relativa alla temperatura di riscaldamento massima per la zona 2 (parametro 625). Controllare il collegamento del termostato di sicurezza alla morsettiera "ST3" sul modulo. |
| 4 2 0 | Sovraccarico alimentazione ATAG zone | Potrebbe apparire un errore di "sovraccarico alimentazione BUS" quando sono collegati al sistema tre o più dispositivi che forniscono alimentazione al BUS. Esempio: caldaia + modulo idraulico, ecc. Per evitare questo rischio, il microinterruttore (1) presente sulla scheda elettronica di uno dei dispositivi collegati (non la caldaia) deve passare da ON a OFF.  |


termoregolazione

Regolazione della temperatura

Scenario n. 1: la caldaia è dotata di un collegamento ATAG zone

La caldaia e il modulo comunicano per un funzionamento ottimizzato. In questo scenario sono possibili diversi tipi di regolazione della temperatura in base alla configurazione e alle impostazioni dei parametri di installazione. Fare riferimento alle istruzioni della caldaia.

Scenario n. 2: la caldaia non è dotata di un collegamento ATAG zone

 In questo scenario il modulo non è in grado di regolare la temperatura. La temperatura di mandata dell'acqua della zona 1 è definita dall'impostazione della caldaia. Per la zona 2 il modulo poi comanda la valvola di miscelazione motorizzata al fine di mantenere costante la temperatura di mandata dell'acqua stabilita al parametro **502**.

Per la zona 3 il modulo poi comanda la valvola di miscelazione motorizzata al fine di mantenere costante la temperatura di mandata dell'acqua stabilita al parametro **602**.

impostazioni

| menu | sottomenu | parametro | descrizione | valore | impostazione predefinita |
|------|---------------------------------------|---------------------------------|--------------------------------------|---|--------------------------|
| 0 | RETE (*) | | | | |
| 0 | 2 | Rete Bus | | | |
| 0 | 2 | 0 | Presenza di rete | Caldaia Interfaccia di sistema (*) Controller solare Multifunzione Manager energia Manager energia ibrida Pompa di calore Sensore ambiente Zone Manager Modem remoto Clip multifunzione Stazione acqua fresca Controllo piscine Interfaccia Master User Controllo multiambiente Cronotermostato eBUS | |
| 0 | 3 | Interfaccia di sistema | | | |
| 0 | 3 | 0 | Riscaldamento zona numero | Nessuna zona impostata Numero zona impostato | |
| 0 | 3 | 1 | Correzione temperatura ambiente | | 0 °C |
| 0 | 3 | 2 | Versione SW interfaccia | | |
| 4 | PARAMETRI ZONA RISCALDAMENTO 1 | | | | |
| 4 | 0 | Impostazioni temperatura | | | |
| 4 | 0 | 0 | T giorno | | 14 °C |
| 4 | 0 | 1 | T notte | | 16 °C |
| 4 | 0 | 2 | T impostata Z1 | | 55 °C |
| 4 | 0 | 3 | Temperatura gelo zona | | |
| 4 | 2 | Impostazioni zona 1 | | | |
| 4 | 2 | 0 | Range di temperatura zona 1 | 0 = bassa temperatura 1 = alta temperatura | |
| 4 | 2 | 1 | Termoregolazione | 0 = T mandata fissa 1 = n.d. 2 = solo T ambiente 3 = solo T esterna 4 = T ambiente + esterna | |
| 4 | 2 | 2 | Pendenza curva (*) | | 1,5 |
| 4 | 2 | 3 | Offset (*) | | 0 °C |
| 4 | 2 | 4 | Proporzionale influenza ambiente (*) | | 20 °C |
| 4 | 2 | 5 | T max | | 82 °C |
| 4 | 2 | 6 | T min. | | 35 °C |
| 4 | 3 | Diagnostica zona 1 | | | |
| 4 | 3 | 0 | T ambiente | | |
| 4 | 3 | 1 | Setpoint T ambiente | | 14 °C |
| 4 | 3 | 2 | Temperatura di mandata | | 21 °C |
| 4 | 3 | 3 | Temperatura ritorno | | 21 °C |
| 4 | 3 | 4 | Richiesta calore Z1 | OFF/ON | |
| 4 | 3 | 5 | Stato pompa | OFF/ON | |
| 4 | 4 | Parametri pompa zona 1 | | | |
| 4 | 4 | 0 | Modulazione pompa di zona | 0 = Fissa 1 = Modulazione su DeltaT 2 = Modulazione su Pressione | |
| 4 | 4 | 1 | deltaT target per modulazione pompa | | 20 °C |
| 4 | 4 | 2 | Velocità pompa fissa | | 100% |

(*) Il presente menu è attivato solo con collegamento **ATAG zone**

impostazioni

| menu | sottomenu | parametro | descrizione | valore | impostazione predefinita | |
|------|---------------------------------------|---------------------------------|--------------------------------------|--|--------------------------|--|
| 5 | PARAMETRI ZONA RISCALDAMENTO 2 | | | | | |
| 5 | 0 | Impostazioni temperatura | | | | |
| 5 | 0 | 0 | T giorno | | 12 °C | |
| 5 | 0 | 1 | T notte | | 16 °C | |
| 5 | 0 | 2 | T impostata Z2 | | 55 °C | |
| 5 | 2 | Impostazioni zona 2 | | | | |
| 5 | 2 | 0 | Range di temperatura zona 1 | 0 = bassa temperatura 1 = alta temperatura | | |
| 5 | 2 | 1 | Termoregolazione | 0 = T mandata fissa 1 = n.d. 2 = solo T ambiente 3 = solo T esterna 4 = T ambiente + esterna | | |
| 5 | 2 | 2 | Pendenza curva (*) | | 1,5 | |
| 5 | 2 | 3 | Offset (*) | | 0 °C | |
| 5 | 2 | 4 | Proporzionale influenza ambiente (*) | | 20 °C | |
| 5 | 2 | 5 | T max | | 82 °C | |
| 5 | 2 | 6 | T min. | | 35 °C | |
| 5 | 3 | Diagnostica zona 2 | | | | |
| 5 | 3 | 0 | T ambiente | | 29 °C | |
| 5 | 3 | 1 | Setpoint T ambiente | | 12 °C | |
| 5 | 3 | 2 | Temperatura di mandata | | 22 °C | |
| 5 | 3 | 3 | Temperatura ritorno | | 21 °C | |
| 5 | 3 | 4 | Richiesta calore Z2 | OFF ON | | |
| 5 | 3 | 5 | Stato pompa | OFF ON | | |
| 5 | 4 | Parametri pompa zona 2 | | | | |
| 5 | 4 | 0 | Modulazione pompa di zona | 0 = Fissa 1 = Modulazione su DeltaT 2 = Modulazione su Pressione | | |
| 5 | 4 | 1 | deltaT target per modulazione pompa | | 20 °C | |
| 5 | 4 | 2 | Velocità pompa fissa | | 100% | |
| 6 | PARAMETRI ZONA RISCALDAMENTO 3 | | | | | |
| 6 | 0 | Impostazioni temperatura | | | | |
| 6 | 0 | 0 | T giorno | | 19 °C | |
| 6 | 0 | 1 | T notte | | 16 °C | |
| 6 | 0 | 2 | T impostata Z3 | | 55 °C | |
| 6 | 2 | Impostazioni zona 3 | | | | |
| 6 | 2 | 0 | Range di temperatura zona 3 | 0 = bassa temperatura 1 = alta temperatura | | |
| 6 | 2 | 1 | Termoregolazione | 0 = T mandata fissa 1 = n.d. 2 = solo T ambiente 3 = solo T esterna 4 = T ambiente + esterna | | |
| 6 | 2 | 2 | Pendenza curva (*) | | 1,5 | |
| 6 | 2 | 3 | Offset (*) | | 0 °C | |
| 6 | 2 | 4 | Proporzionale influenza ambiente (*) | | 20 °C | |
| 6 | 2 | 5 | T max | | 82 °C | |
| 6 | 2 | 6 | T min. | | 35 °C | |

(*) Il presente menu è attivato solo con collegamento **ATAG zone**

impostazioni

| menu | sottomenu | parametro | descrizione | valore | impostazione predefinita | |
|----------|-----------------------|--------------------------------|---------------------------------------|--|--------------------------|--|
| 6 | 3 | Diagnostica zona 3 | | | | |
| 6 | 3 | 0 | T ambiente | | | |
| 6 | 3 | 1 | Setpoint T ambiente | | 19 °C | |
| 6 | 3 | 2 | Temperatura di mandata | | 0 °C | |
| 6 | 3 | 3 | Temperatura ritorno | | 0 °C | |
| 6 | 3 | 4 | Richiesta calore Z3 | OFF ON | | |
| 6 | 3 | 5 | Stato pompa | OFF ON | | |
| 6 | 4 | Parametri pompa zona 3 | | | | |
| 6 | 4 | 0 | Modulazione pompa di zona | 0 = Fissa 1 = Modulazione su DeltaT 2 = Modulazione su Pressione | | |
| 6 | 4 | 1 | deltaT target per modulazione pompa | | 20 °C | |
| 6 | 4 | 2 | Velocità pompa fissa | | 100% | |
| 7 | MODULO DI ZONA | | | | | |
| 7 | 1 | Modalità manuale | | | | |
| 7 | 1 | 0 | Attivazione modalità manuale ZM | 0 = OFF 1 = ON | | |
| 7 | 1 | 1 | Controllo pompa Z1 | 0 = OFF 1 = ON | | |
| 7 | 1 | 2 | Controllo pompa Z2 | 0 = OFF 1 = ON | | |
| 7 | 1 | 3 | Controllo pompa Z3 | 0 = OFF 1 = ON | | |
| 7 | 1 | 4 | Controllo valvola di miscelazione Z2 | 0 = OFF 1 = Aperto 2 = Chiuso | | |
| 7 | 1 | 5 | Controllo valvola di miscelazione Z3 | 0 = OFF 1 = Aperto 2 = Chiuso | | |
| 7 | 2 | Modulo di zona generale | | | | |
| 7 | 2 | 0 | Definizione schema idraulico | 0 = Non definito 1 = n.d. 2 = Modulo II per circuito di riscaldamento misto 3 = Modulo III per circuito di riscaldamento misto 4 = n.d. 5 = Modulo II per circuito di riscaldamento diretto 6 = Modulo III per circuito di riscaldamento diretto | 0 | |
| 7 | 2 | 1 | Offset T mandata | | 0 °C | |
| 7 | 2 | 2 | Impostazione uscita ausiliaria | 0 = richiesta calore 1 = pompa esterna 2 = allarme | | |
| 7 | 2 | 3 | Correzione temperatura esterna | | | |
| 7 | 8 | Cronologia errori | | | | |
| 7 | 8 | 0 | Ultimi 10 errori | | | |
| 7 | 8 | 1 | Reset elenco errori | OK = sì ESC = no | | |
| 7 | 9 | Menu Reset | | | | |
| 7 | 9 | 0 | Ritorna alle impostazioni di fabbrica | OK = sì ESC = no | | |

impostazioni

| menu | sottomenu | parametro | descrizione | valore | impostazione predefinita |
|----------|---------------------------|--------------------------------|--|---|--------------------------|
| 8 | Param. assist. (*) | | | | |
| 8 | 1 | Statistiche caldaia (*) | | | |
| 8 | 1 | 0 | Ore bruciatore ON CH (h/10) (*) | | |
| 8 | 1 | 1 | Ore bruciatore ON ECS (h/10) (*) | | |
| 8 | 1 | 2 | Numero di guasti di fiamma (n/10) (*) | | |
| 8 | 1 | 3 | Numero di cicli di accensione (n/10) (*) | | |
| 8 | 1 | 4 | Durata rich. calore (*) | | |
| 8 | 1 | 5 | Numero sistema | | |
| 8 | 2 | Caldaia (*) | | | |
| 8 | 2 | 0 | Frequenza di modulazione (*) | | |
| 8 | 2 | 1 | Stato ventola (*) | OFF ON | |
| 8 | 2 | 2 | Velocità ventola (x100 giri/min) (*) | | |
| 8 | 2 | 3 | Velocità pompa (*) | OFF Velocità ridotta Velocità elevata | |
| 8 | 2 | 4 | Pos valvola deviatrice (*) | ACS Riscaldamento | |
| 8 | 2 | 5 | Quantità ACS l/min (*) | | 19 l/min |
| 8 | 2 | 6 | Stato APS | Aperto Chiuso | |
| 8 | 2 | 7 | Modulazione pompa % (*) | | 100% |
| 8 | 2 | 8 | Potenza gas (*) | | 6 kW |
| 8 | 3 | Temperatura caldaia (*) | | | |
| 8 | 3 | 0 | Impostazione temperatura CH (*) | | 55 °C |
| 8 | 3 | 1 | T mandata CH (*) | | 14 °C |
| 8 | 3 | 2 | T ritorno CH (*) | | 23 °C |
| 8 | 3 | 3 | T mandata ACS (*) | | 59 °C |
| 8 | 3 | 5 | T esterna (*) | | 14 °C |

(*) Il presente menu è attivato solo con collegamento **ATAG zone**

ATAG Verwarming Nederland B.V.

Postbus 105 - 7100 AE Lichtenvoorde
info@atagverwarming.nl

ATAG Verwarming België bvba / ATAG Chauffage bvba

Afdeling verkoop / Département des ventes
Leo Baekelandstraat 3 - 2950 Kapellen

ATAG Heating Technology UK Ltd.

80 Churchill Square Business Centre
Kings Hill, West Malling
Kent, ME19 4YU

ATAG Heizungstechnik GmbH

Dinxperloer Straße 18 - D-46399 Bocholt
info@atagheizungstechnik.de

ATAG Italia srl

Ufficio vendite
Via 11 Settembre 6/1 - 37019 Peschiera del Garda (VR)

ATAG